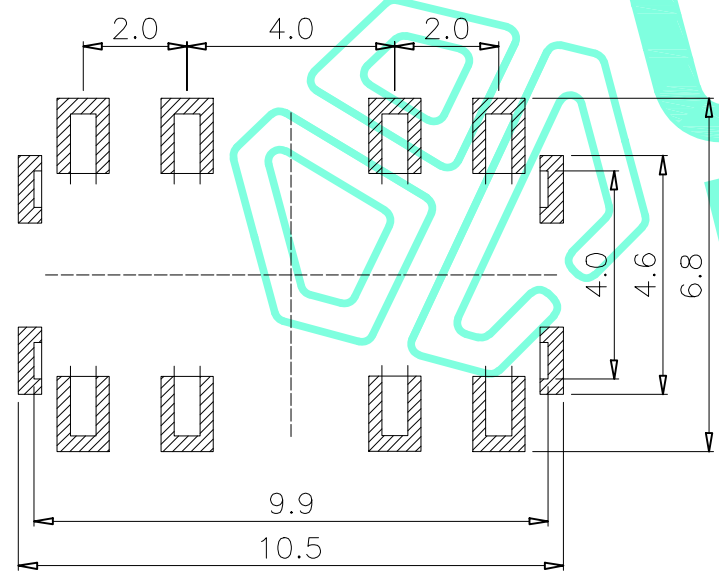
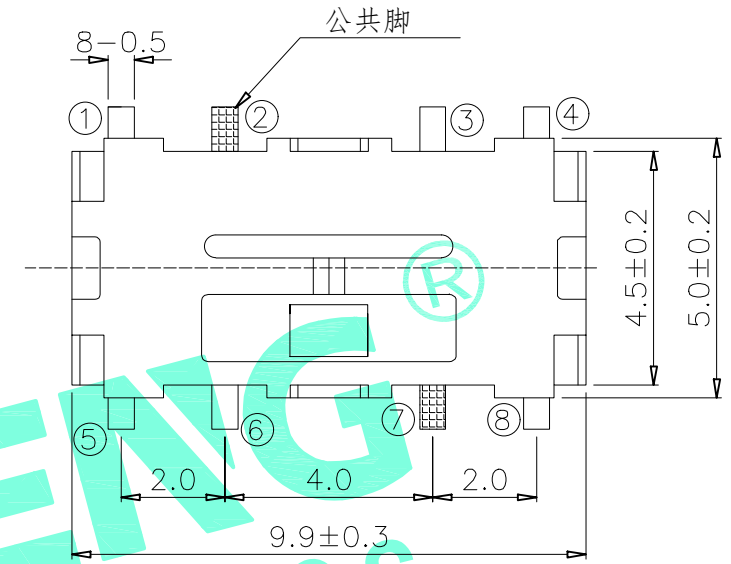
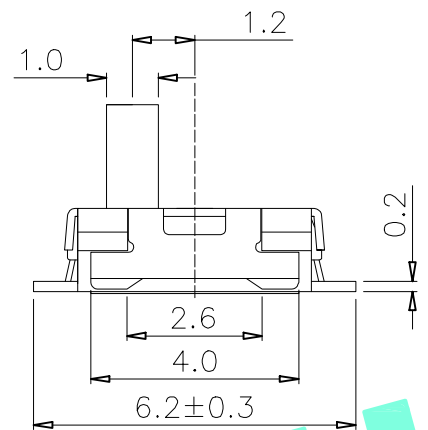
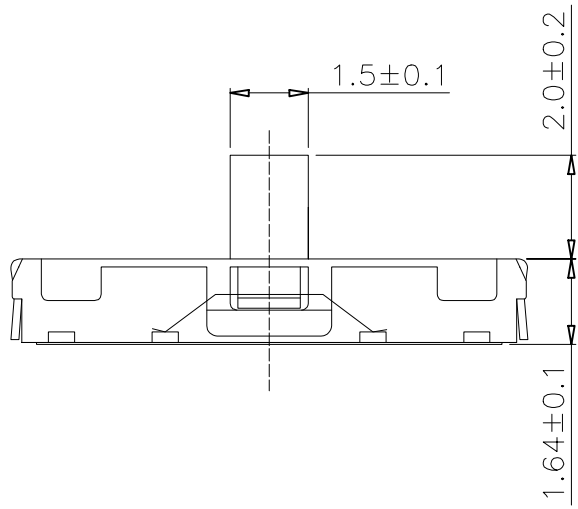
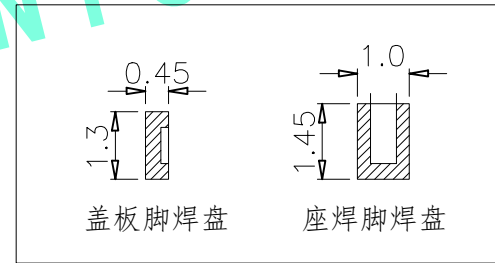
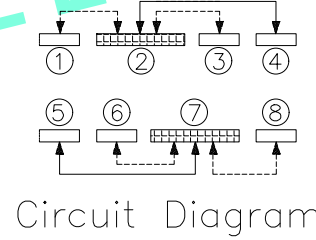


RoHS Compliant

REV. A/0	DESCRIPTION NEW	DESIGN CWF	DATE
----------	-----------------	------------	------



YUCHENG ELECTRONICS



⑤	Contact Spring	2	Phosphor bronze	Ag Plated
④	Terminal	8	Phosphor bronze	Ag Plated
③	Base	1	PA6T	Black
②	Cover	1	SUS	Ni Plated
①	KNOB	1	PA46	Black
ITEM	PART NAME	QTY.	MATERIAL	FINISHING

PCB Layout(Pattern side)

Note:
Operating force: 200±80gf
Travel: 1.5±0.2mm

THESE DRAWINGS AND SPECIFICATIONS ARE THE PROPERTY OF SHENZHEN YUCHENG ELECTRONICS.,LTD.AND SHALL NOT BE REPRODUCED,COPIED OR USED IN ANY MANNER WITHOUT THE PRIOR WRITTEN CONSENT OF SHENZHEN YUCHENG ELECTRONICS.,LTD

APPROVED: WEI JIE
CHECKED: HONG JIN YUN
DRAWING: CHEN YA

YUCHENG ELECTRONICS 深圳市裕诚电子有限公司
SHENZHEN YUCHENG ELECTRONICS CO.,LTD

GENERAL TOLERANCES		TITLE: TOGGLE SWITCH	
30~以上	±0.30	PART NO: M3-2609S	
10~30	±0.20	WEBSITE: www.ycelectron.com	
5~10	±0.15	REV: A UNIT: mm SCALE: / SHEET: A4	
~ 5	±0.10		
SHEET: 1 / 1			