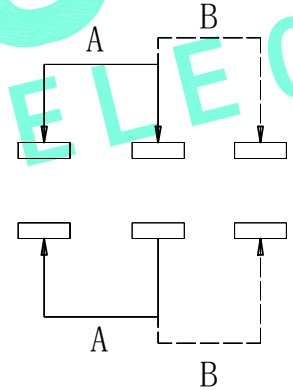
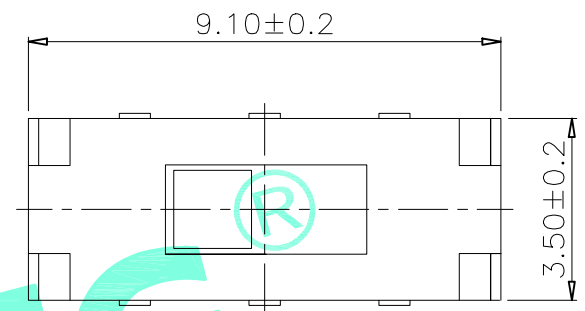
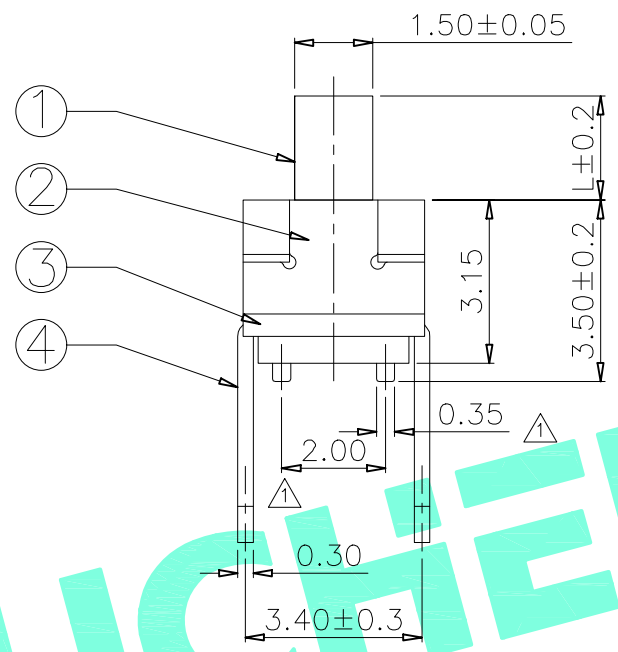
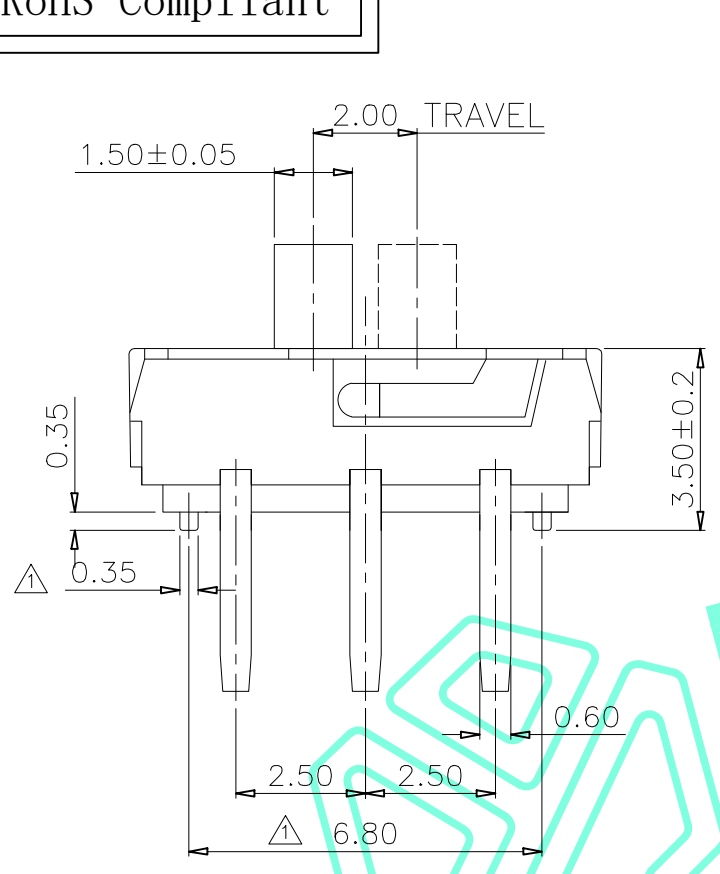
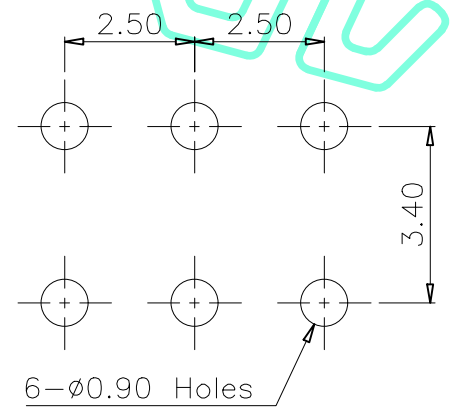


RoHS Compliant

| | | | |
|-------------|--------------------|---------------|------|
| REV. A/0 | DESCRIPTION NEW | DESIGN CWF | DATE |
|-------------|--------------------|---------------|------|



Circuit Diagram



PCB Layout(Pattern side)

| | | |
|------------------|---|-----------------|
| PART NO. | L | Operating force |
| M3-1539S-L2 | 2 | 200±100gf |
| M3-1539S-L3 | 3 | |
| M3-1539S-L4 | 4 | |
| 1:Black& 2:White | | |

| | | | | |
|------|----------------|------|------------------|-------------|
| ⑤ | Contact Spring | 2 | Beryllium copper | Ag Plated |
| ④ | Terminal | 6 | Brass Strip | Ag Plated |
| ③ | Base | 1 | NYLON | Black |
| ② | Cover | 1 | SUS | Natural |
| ① | KNOB | 1 | NYLON | Black/White |
| ITEM | PART NAME | QTY. | MATERIAL | FINISHING |

THESE DRAWINGS AND SPECIFICATIONS ARE THE PROPERTY OF SHENZHEN YUCHENG ELECTRONICS.LTD.AND SHALL NOT BE REPRODUCED,COPIED OR USED IN ANY MANNER WITHOUT THE PRIOR WRITTEN CONSENT OF SHENZHEN YUCHENG ELECTRONICS.LTD

UCHENG 深圳市裕诚电子有限公司
ELECTRONICS SHENZHEN YUCHENG ELECTRONICS CO.,LTD

| | | | | | |
|-----------|--------------|--------------------|--------------|--------------------|----------|
| APPROVED: | WEI JIE | GENERAL TOLERANCES | TITLE: | TOGGLE SWITCH | |
| CHECKED: | HONG JIN YUN | 30~以上 ±0.30 | PART NO.: | M3-1539S | |
| DRAWING: | CHEN YA | 10~30 ±0.20 | WEBSITE : | www.ycelectron.com | |
| | | 5~10 ±0.15 | REV: A | UNIT: mm | SCALE: / |
| | | ~ 5 ±0.10 | SHEET: 1 / 1 | SHEET: A4 | ④ |