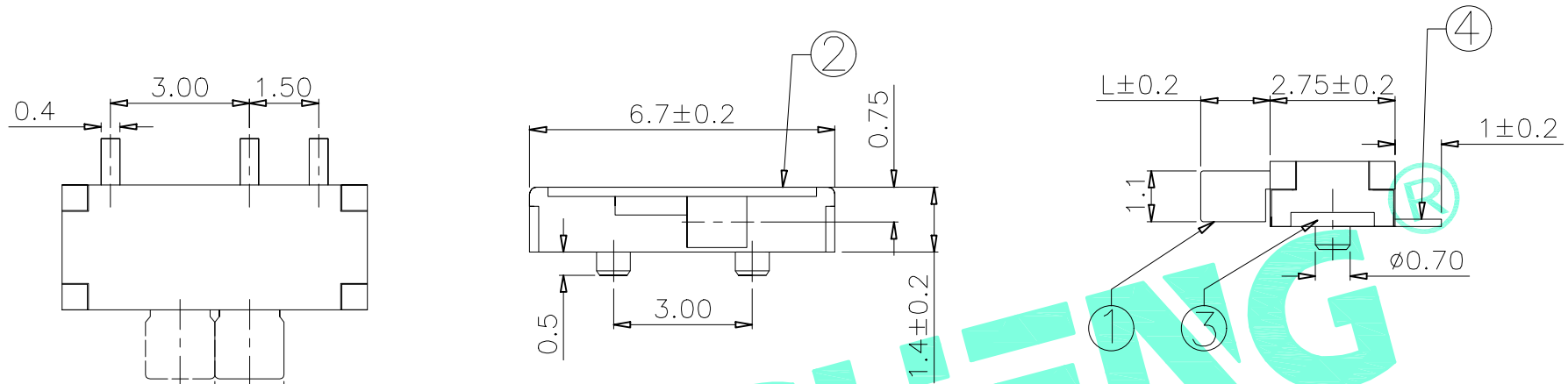
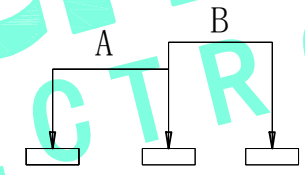


RoHS Compliant

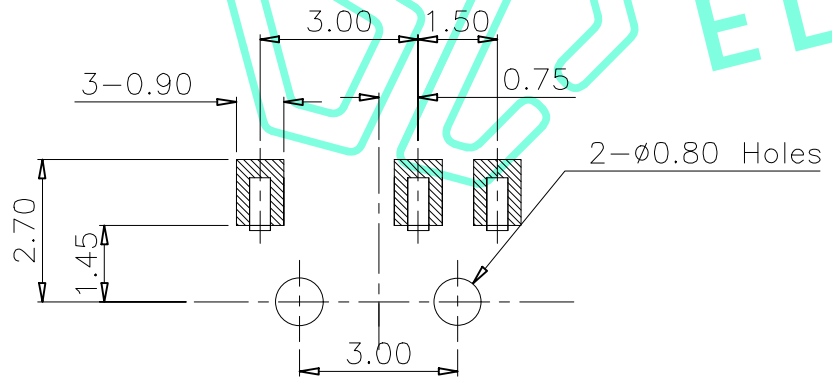
REV. A/0	DESCRIPTION NEW	DESIGN CWF	DATE
-------------	--------------------	---------------	------



YUCHENG  
ELECTRONICS



PART NO.	L	Operating force
M3-1566S-L1.5	1.5	160±50gf
M3-1566S-L2.3	2.3	



ITEM	PART NAME	QTY.	MATERIAL	FINISHING
⑤	Contact Spring	1	SUS	——
④	Terminal	3	Phosphor bronze	Ag Plated
③	Base	1	LCP	Black
②	Cover	1	Phosphor bronze	Ag Plated
①	KNOB	1	LCP	Black

THESE DRAWINGS AND SPECIFICATIONS ARE THE PROPERTY OF SHENZHEN YUCHENG ELECTRONICS, LTD. AND SHALL NOT BE REPRODUCED, COPIED OR USED IN ANY MANNER WITHOUT THE PRIOR WRITTEN CONSENT OF SHENZHEN YUCHENG ELECTRONICS, LTD.

APPROVED: WEI JIE  
 CHECKED: HONG JIN YUN  
 DRAWING: CHEN YA

**深圳市裕诚电子有限公司**  
 SHENZHEN YUCHENG ELECTRONICS CO.,LTD

GENERAL TOLERANCES		TITLE: TOGGLE SWITCH	
30~以上	±0.30	PART NO: M3-1566S	
10~30	±0.20	WEBSITE: www.ycelectron.com	
5~10	±0.15	REV: A	
~ 5	±0.10	UNIT: mm	SCALE: /
SHEET: 1 / 1		SHEET: A4	

A  
B  
C  
D  
E  
F  
G

A  
B  
C  
D  
E  
F  
G