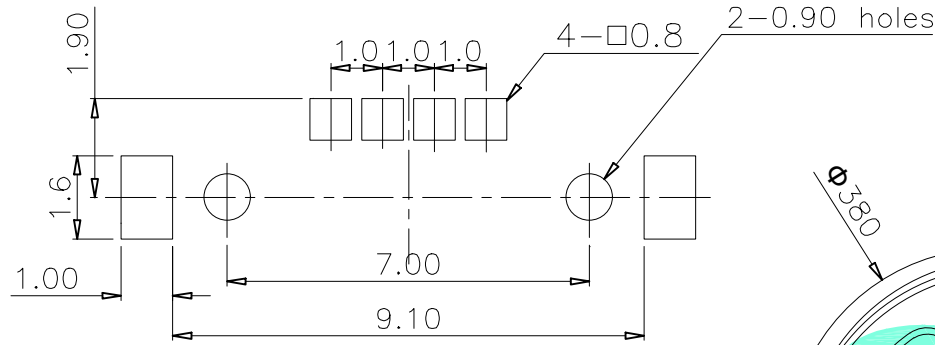
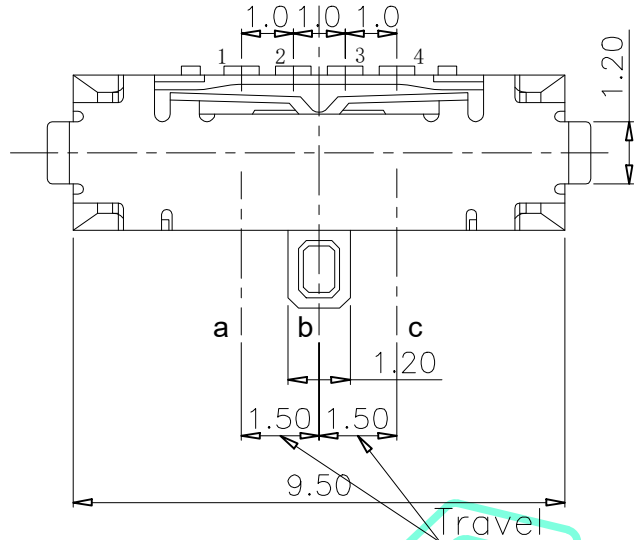
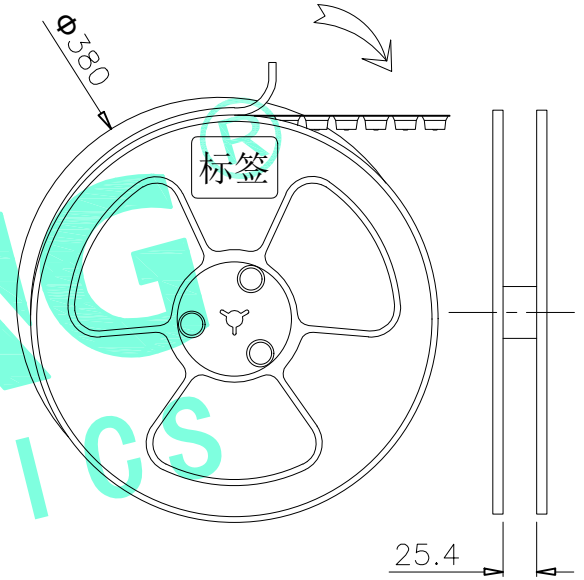


RoHS Compliant

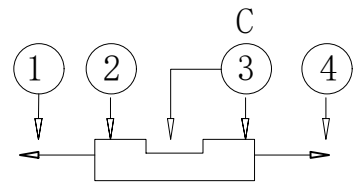
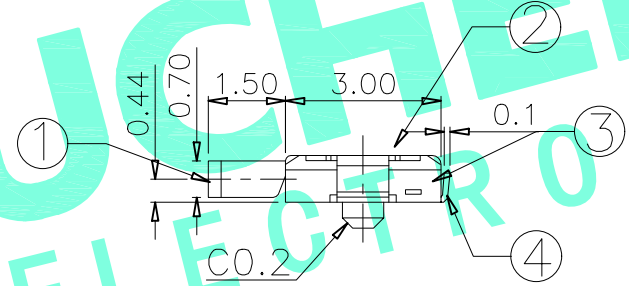
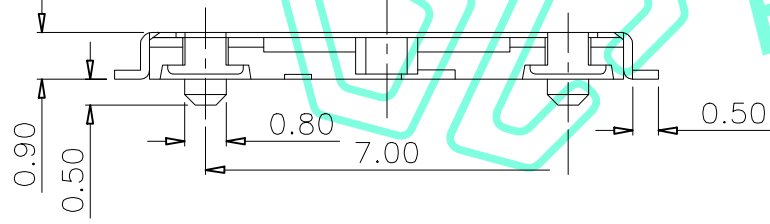
REV.	DESCRIPTION	DESIGN	DATE
A/0	NEW	CFW	



PCB Layout (Pattern side)



包装规格：载带包装  
数量 (PCS) : 1盘: 4000PCS



Circuit Diagram  
C: Common Pin

Typical Specifications :

- Rating : DC 4V 0.3A
- Life:10,000 Cycles Min.
- Operating force: **a→b c→b 100gf**  
**b→a b→c 120gf**
- Travel: 1.50mm

THESE DRAWINGS AND SPECIFICATIONS ARE THE PROPERTY OF SHENZHEN YUCHENG ELECTRONICS, LTD. AND SHALL NOT BE REPRODUCED, COPIED OR USED IN ANY MANNER WITHOUT THE PRIOR WRITTEN CONSENT OF SHENZHEN YUCHENG ELECTRONICS, LTD.

APPROVED:	WEI JIE
CHECKED:	HONG JIN YUN
DRAWING:	CHEN YA

⑤	Contact Spring	1	Phosphor Bronze	Ag Plated
④	Terminal	4	Phosphor Bronze	Ag Plated
③	Base	1	NYLON	Black
②	Cover	1	SUS	Sn Plated
①	KN0B	1	NYLON	Black
ITEM	PART NAME	QTY.	MATERIAL	FINISHING

**UCHENG** ELECTRONICS 深圳市裕诚电子有限公司  
SHENZHEN YUCHENG ELECTRONICS CO.,LTD

GENERAL TOLERANCES		TITLE:	
30~以上	±0.30	TOGGLE SWITCH	
10~30	±0.20	PART NO:	
5~10	±0.15	M3-2537S	
~ 5	±0.10	WEBSITE :	
SHEET: 1 / 1		www.ycelectron.com	
REV: A	UNIT: mm	SCALE: /	SHEET: A4

