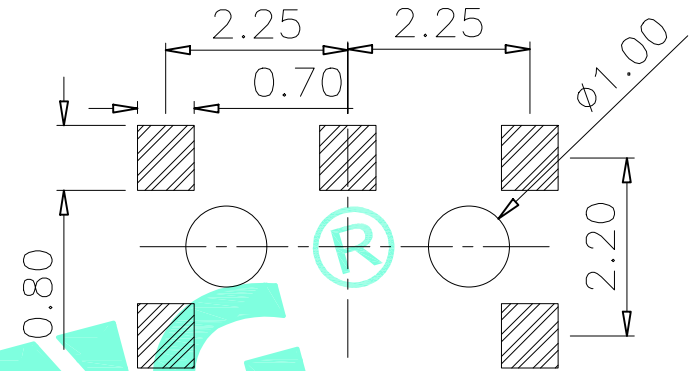
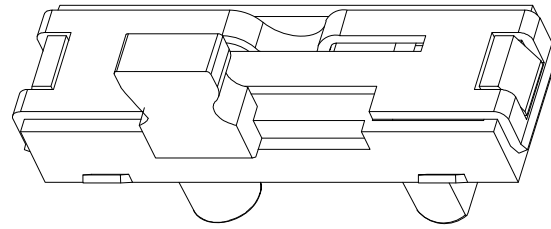
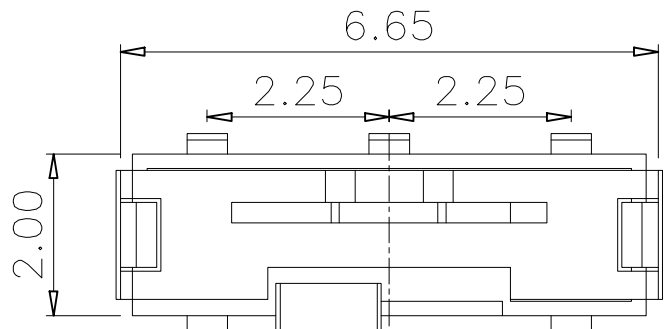
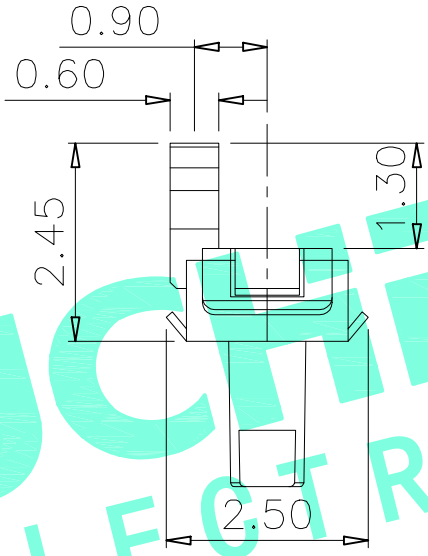
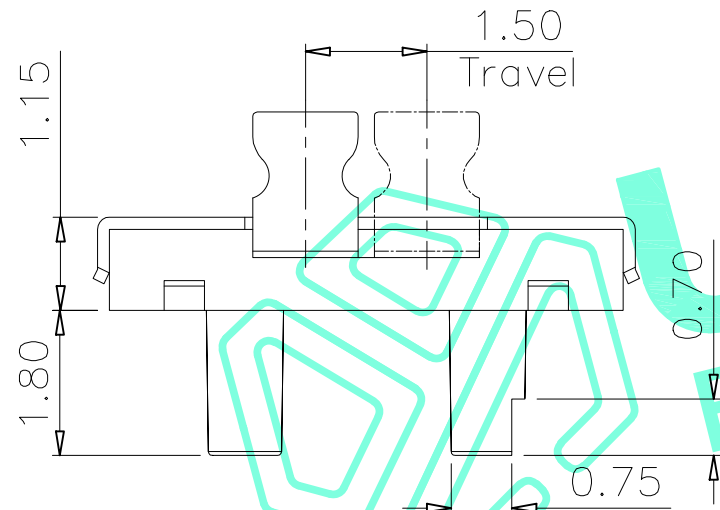


RoHS Compliant

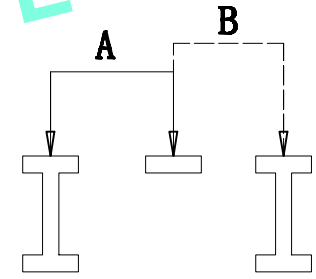
REV. A/0	DESCRIPTION NEW	DESIGN CWF	DATE
----------	-----------------	------------	------



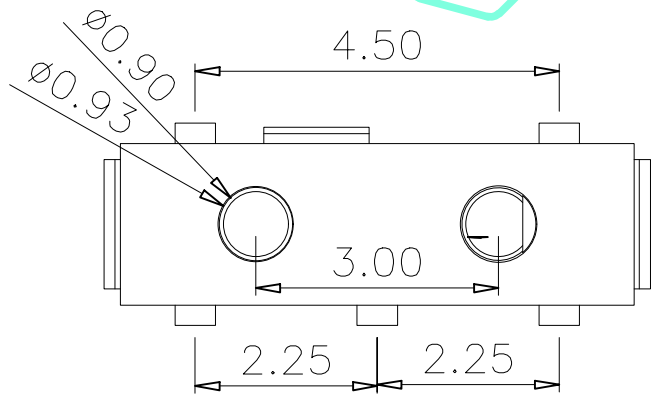
PCB Layout (Pattern side)



- Note:
1. Rating : DC 12V 50mA
 2. Contact Resistance : $\leq 50m\Omega$
 3. Insulation Resistance: DC500V 1Minute
 4. Operating Temperature Range: $-25^{\circ}C + 80^{\circ}C$
 5. Ambient Humidity Used: $\leq 85\%RH$
 6. Operating Force : $150 \pm 80gf$
 7. Operating Life : 50,000Cycles



Circuit Diagram



⑤	Contact Spring	1	Beraloy	Ag Plated
④	Terminal	5	Phosphor Bronze	Ag Plated
③	Base	1	LCP	Black
②	Cover	1	SUS	Natural
①	KN0B	1	PA46	RED
ITEM	PART NAME	QTY.	MATERIAL	FINISHING

THESE DRAWINGS AND SPECIFICATIONS ARE THE PROPERTY OF SHENZHEN YUCHENG ELECTRONICS,LTD AND SHALL NOT BE REPRODUCED,COPIED OR USED IN ANY MANNER WITHOUT THE PRIOR WRITTEN CONSENT OF SHENZHEN YUCHENG ELECTRONICS,LTD

APPROVED: WEI JIE
 CHECKED: HONG JIN YUN
 DRAWING: CHEN YA

UCHENG 深圳市裕诚电子有限公司
 ELECTRONICS SHENZHEN YUCHENG ELECTRONICS CO.,LTD

GENERAL TOLERANCES		TITLE:	
30~以上	± 0.30	TOGGLE SWITCH	
10~30	± 0.20	PART NO:	
5~10	± 0.15	M3-2586S	
~ 5	± 0.10	WEBSITE :	
SHEET: 1 / 1		www.ycelectron.com	
REV: A	UNIT: mm	SCALE: /	SHEET: A4