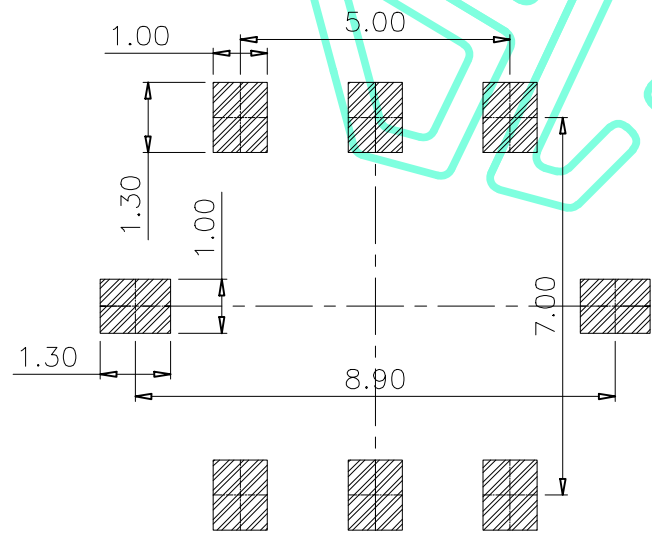
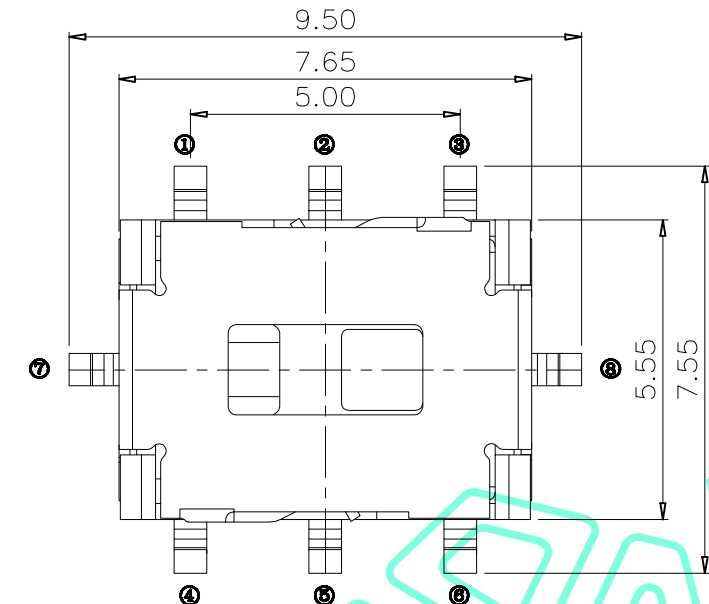
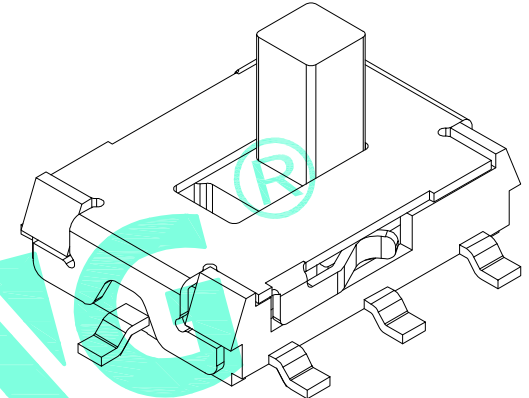
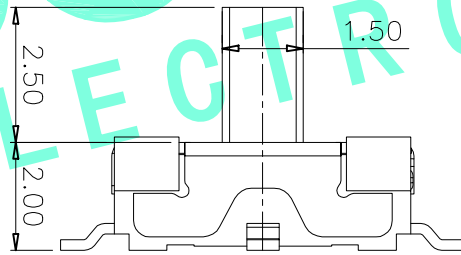
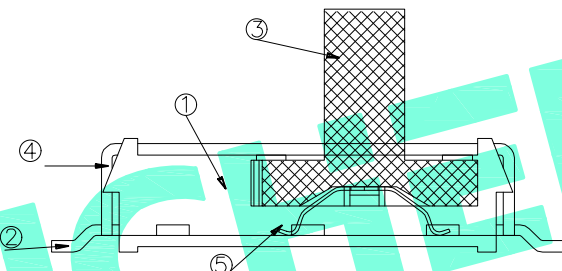
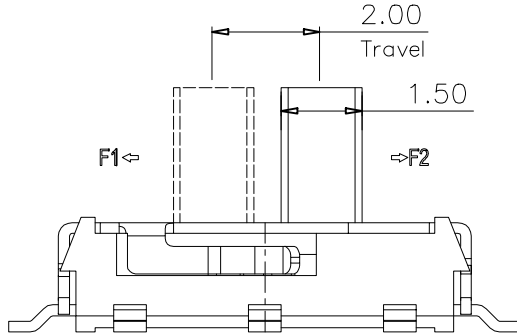


RoHS Compliant

REV.	DESCRIPTION	DESIGN	DATE
A/0	NEW	CWF	

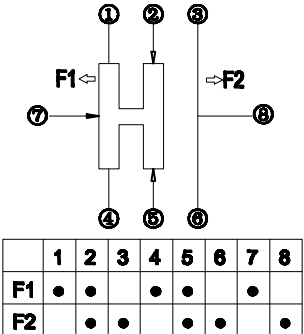


PCB Layout(Pattern side)



Note:

1. Rating : DC 12V 50mA
2. Contact Resistance : $\leq 50m\Omega$
3. Insulation Resistance: DC500V 1Minute
4. Operating Temperature Range: $-25^{\circ}C + 80^{\circ}C$
5. Ambient Humidity Used: $\leq 85\%RH$
6. Operating Force : $200gf \pm 50gf$
7. Operating Life : 10,000Cycles



Circuit Diagram

ITEM	PART NAME	QTY.	MATERIAL	FINISHING
⑤	Contact Spring	1	Phosphor bronze	Ag Plated
④	Cover	1	SUS	Natural
③	KNOB	1	PA10T	Black
②	Terminal	3	Brass	Ag Plated
①	Base	1	LCP	Black

THESE DRAWINGS AND SPECIFICATIONS ARE THE PROPERTY OF SHENZHEN YUCHENG ELECTRONICS.,LTD AND SHALL NOT BE REPRODUCED, COPIED OR USED IN ANY MANNER WITHOUT THE PRIOR WRITTEN CONSENT OF SHENZHEN YUCHENG ELECTRONICS.,LTD

UCHENG 深圳市裕诚电子有限公司
ELECTRONICS SHENZHEN YUCHENG ELECTRONICS CO.,LTD

APPROVED:	WEI JIE	GENERAL TOLERANCES	TITLE:	TOGGLE SWITCH
CHECKED:	HONG JIN YUN	30~以上 ±0.30	PART NO.:	M3-2588S
DRAWING:	CHEN YA	10~30 ±0.20	WEBSITE :	www.ycelectron.com
		5~10 ±0.15	REV: A	UNIT: mm
		~ 5 ±0.10		SCALE: /
		SHEET: 1 / 1		SHEET: A4

