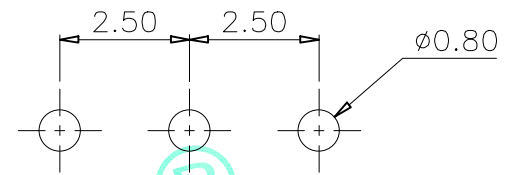
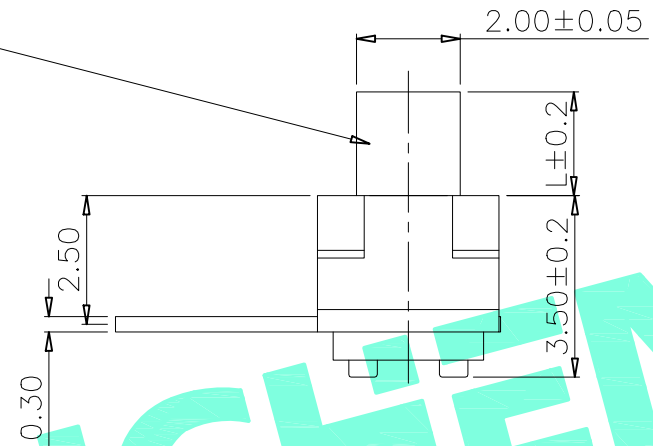
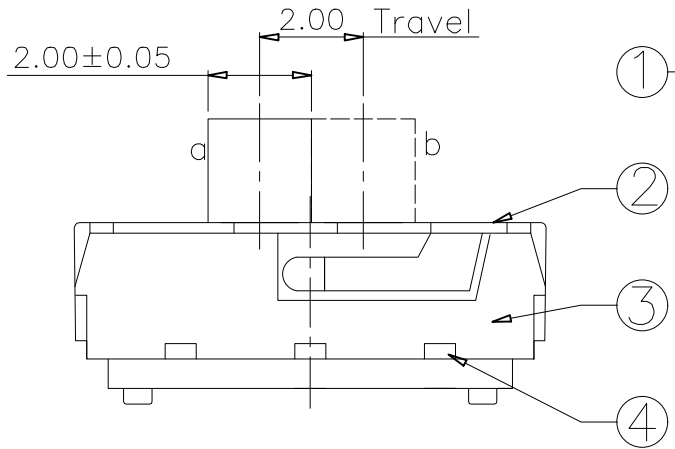


RoHS Compliant

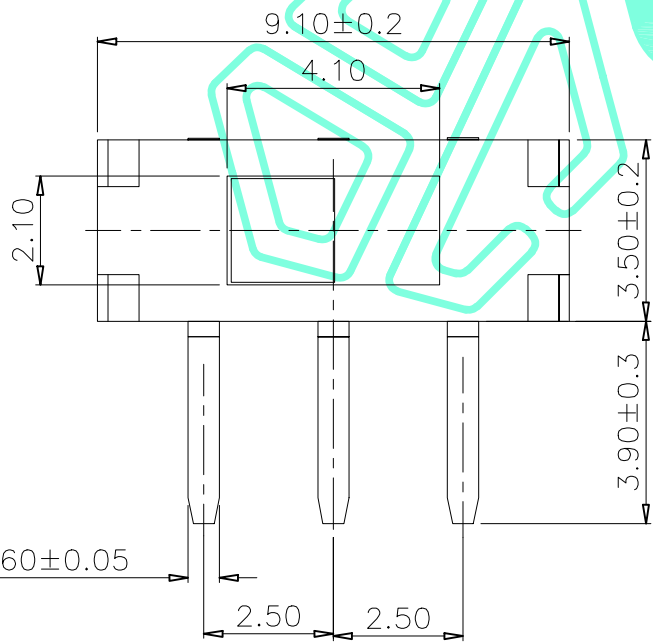
REV. A/0	DESCRIPTION NEW	DESIGN CWF	DATE
----------	-----------------	------------	------



HOLE LAYOUT

Typical Specifications :
 1. Rating : DC 6V 0.3A
 2. Life:10,000 Cycles Min.
 3. Operating force:190±50gf

PART NO.	L	Operating force
M3-1516S-L2	2	190±50gf
M3-1516S-L3	3	
M3-1516S-L4	4	
M3-1516S-L7	7	



CIRCUIT DIAGRAM

ITEM	PART NAME	QTY.	MATERIAL	FINISHING
⑤	Contact Spring	1	Beryllium copper	Ag Plated
④	Terminal	3	Brass Strip	Ag Plated
③	Base	1	NYLON	Black
②	Cover	1	SUS	Natural
①	KNOB	1	NYLON	Black

THESE DRAWINGS AND SPECIFICATIONS ARE THE PROPERTY OF SHENZHEN YUCHENG ELECTRONICS, LTD. AND SHALL NOT BE REPRODUCED, COPIED OR USED IN ANY MANNER WITHOUT THE PRIOR WRITTEN CONSENT OF SHENZHEN YUCHENG ELECTRONICS, LTD.

APPROVED: WEI JIE
 CHECKED: HONH JIN YUN
 DRAWING: CHEN YA

UCHENG ELECTRONICS 深圳市裕诚电子有限公司
 SHENZHEN YUCHENG ELECTRONICS CO.,LTD

GENERAL TOLERANCES	TITLE: TOGGLE SWITCH
30~以上 ±0.30	PART NO: M3-1516S
10~30 ±0.20	
5~10 ±0.15	
~ 5 ±0.10	WEBSITE: www.ycelectron.com
SHEET: 1 / 1	REV: A UNIT: mm SCALE: / SHEET: A4