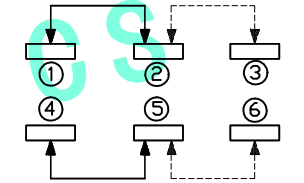
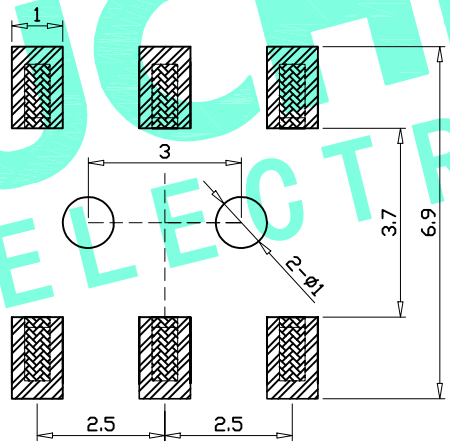
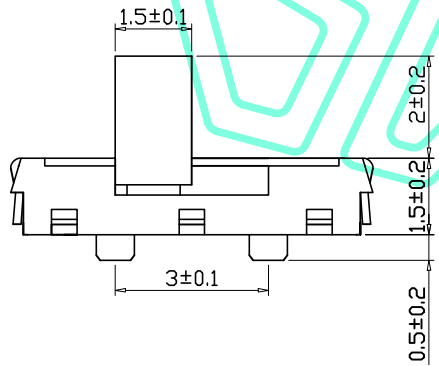
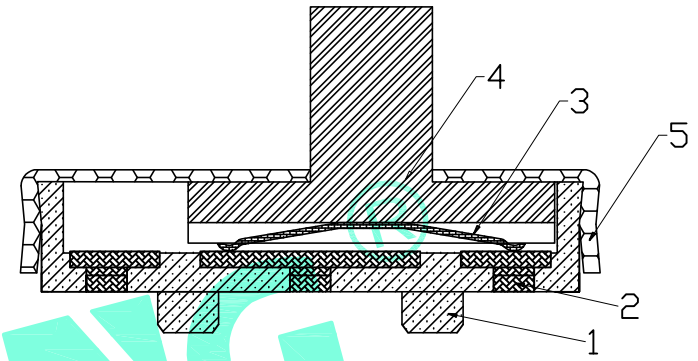
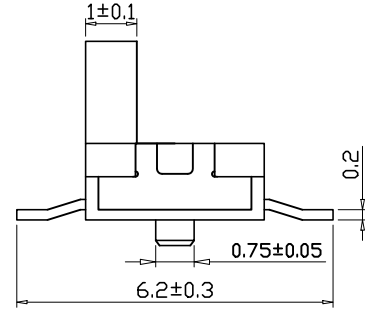
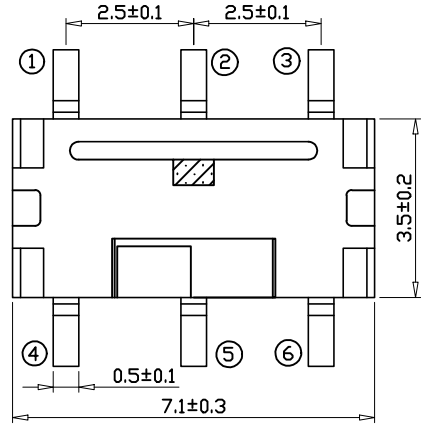


RoHS Compliant

REV. A/0	DESCRIPTION NEW	DESIGN CWF	DATE
-------------	--------------------	---------------	------



Circuit Diagram

PCB Layout (Pattern side)

⑤	Cover	1	SUS	Natural
④	KNOB	1	PA46	Black
③	Contact Spring	2	Beryllium copper	Ag Plated
②	Terminal	6	Brass Strip	Ag Plated
①	Base	1	LCP	Black
ITEM	PART NAME	QTY.	MATERIAL	FINISHING

THESE DRAWINGS AND SPECIFICATIONS ARE THE PROPERTY OF SHENZHEN YUCHENG ELECTRONICS, LTD. AND SHALL NOT BE REPRODUCED, COPIED OR USED IN ANY MANNER WITHOUT THE PRIOR WRITTEN CONSENT OF SHENZHEN YUCHENG ELECTRONICS, LTD.

APPROVED: WEI JIE
 CHECKED: HONG JIN YUN
 DRAWING: CHEN YA

UCHENG 深圳市裕诚电子有限公司
 ELECTRONICS SHENZHEN YUCHENG ELECTRONICS CO., LTD

GENERAL TOLERANCES		TITLE: TOGGLE SWITCH	
30~以上	±0.30	PART NO: M3-2592S	
10~30	±0.20	WEBSITE: www.ycelectron.com	
5~10	±0.15	REV: A	
~ 5	±0.10	UNIT: mm	SCALE: /
SHEET: 1 / 1		SHEET: A4	④