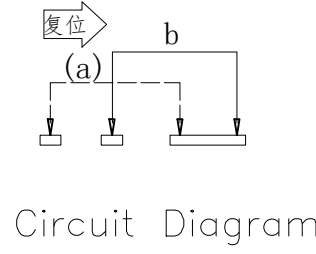
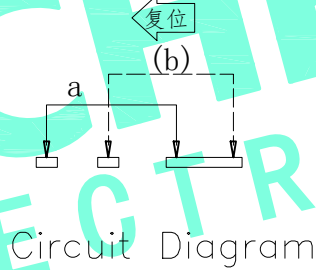
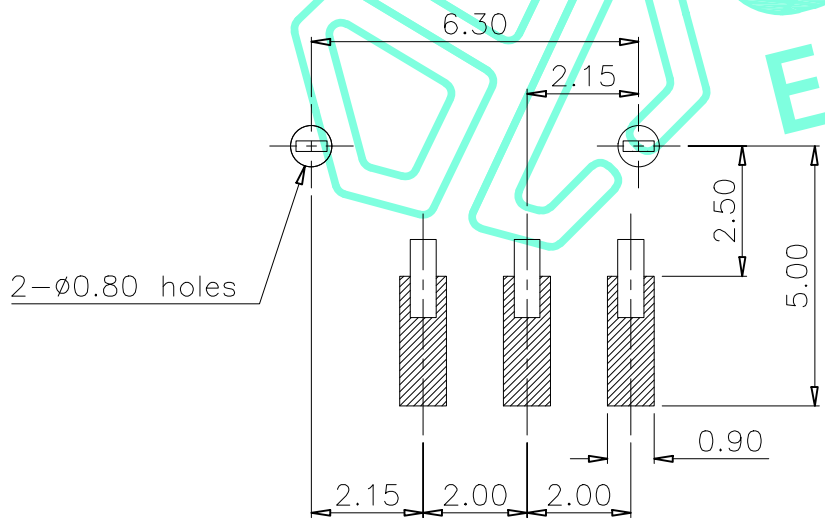
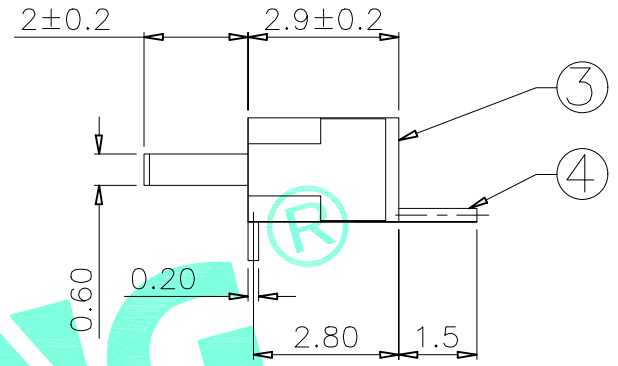
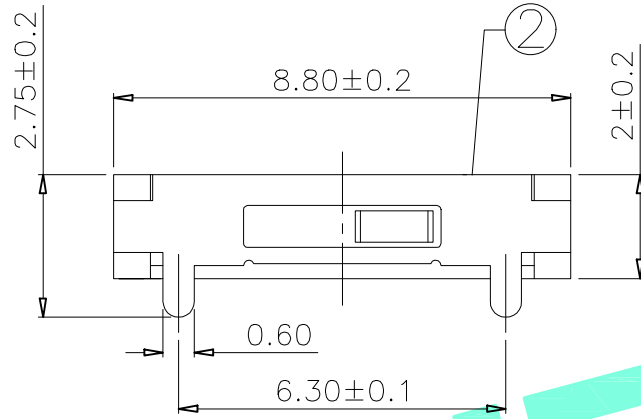
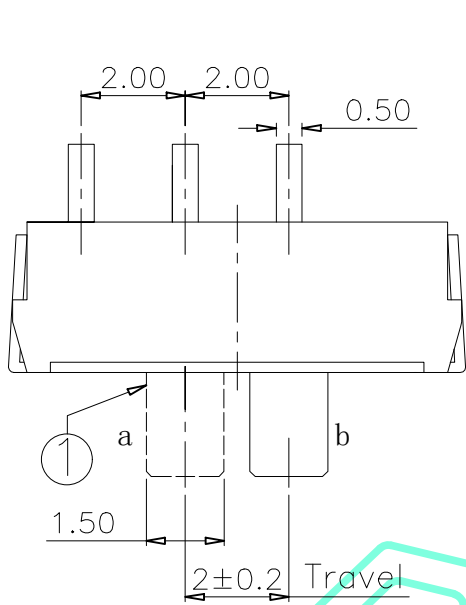


RoHS Compliant

REV. A/0	DESCRIPTION NEW	DESIGN CWF	DATE
----------	-----------------	------------	------



NOTE:  
Operating force: 150±100gf

⑥	Spring	1	SUS	Ag Plated
⑤	Contact Spring	1	Beryllium copper	Ag Plated
④	Terminal	3	Brass Strip	Ag Plated
③	Base	1	NYLON	Black
②	Cover	1	SUS	Natural
①	KNOB	1	NYLON	White
ITEM	PART NAME	QTY.	MATERIAL	FINISHING

THESE DRAWINGS AND SPECIFICATIONS ARE THE PROPERTY OF SHENZHEN YUCHENG ELECTRONICS,LTD AND SHALL NOT BE REPRODUCED, COPIED OR USED IN ANY MANNER WITHOUT THE PRIOR WRITTEN CONSENT OF SHENZHEN YUCHENG ELECTRONICS,LTD

APPROVED: WEI JIE  
CHECKED: HONG JIN YUN  
DRAWING: CHEN YA

**UCHENG** 深圳市裕诚电子有限公司  
ELECTRONICS SHENZHEN YUCHENG ELECTRONICS CO.,LTD

GENERAL TOLERANCES		TITLE: TOGGLE SWITCH	
30~以上	±0.30	PART NO: M3-1518S-左/右	
10~30	±0.20	WEBSITE: www.ycelectron.com	
5~10	±0.15	REV: A UNIT: mm SCALE: / SHEET: A4	
~ 5	±0.10		
SHEET: 1 / 1			

PCB Layout(Pattern side)