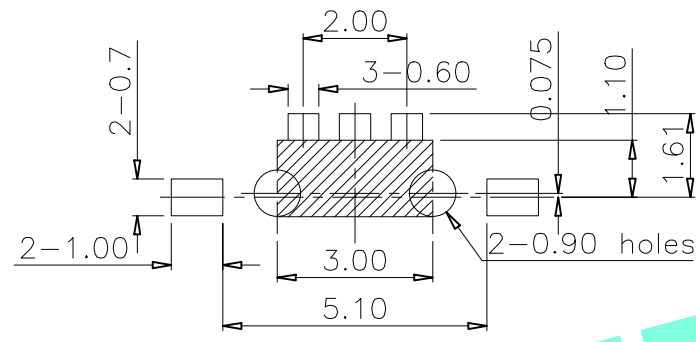
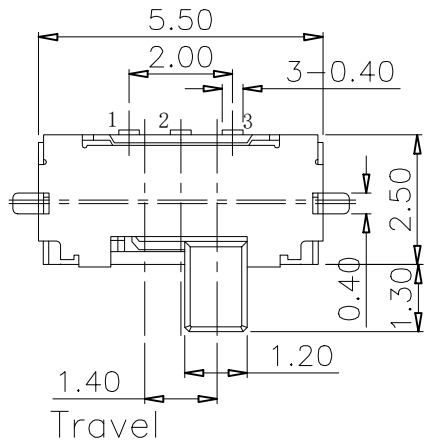
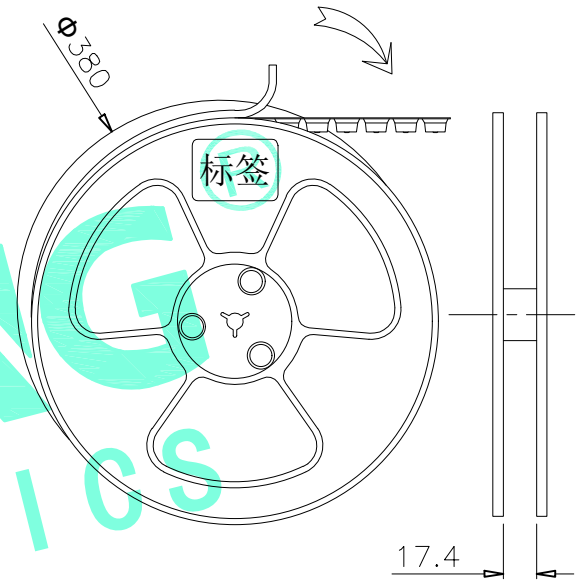


RoHS Compliant

REV. A/0	DESCRIPTION NEW	DESIGN CWF	DATE
----------	-----------------	------------	------



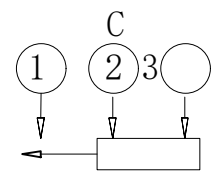
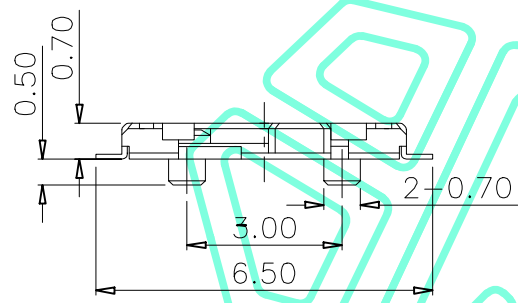
PCB Layout(Pattern side)



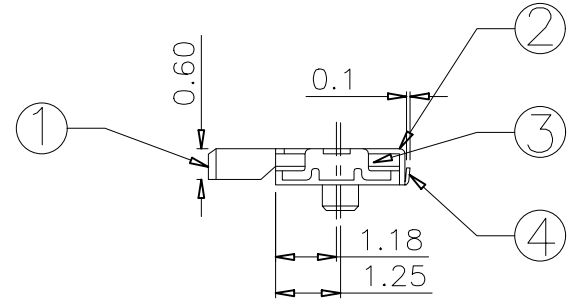
包装规格: 载带包装

数量 (PCS) : 1盘: 5000PCS

- Typical Specifications :
1. Rating : DC 5V 10mA
 2. Life:10,000 Cycles Min.
 3. Operating force:150±100gf
 4. Travel: 1.40mm



Circuit Diagram
C: Common Pin



⑤	Contact Spring	1	Phosphor Bronze	Ag Plated
④	Terminal	3	Phosphor Bronze	Ag Plated
③	Base	1	NYLON	Black
②	Cover	1	SUS	Sn Plated
①	KN0B	1	NYLON	Black
ITEM	PART NAME	QTY.	MATERIAL	FINISHING

THESE DRAWINGS AND SPECIFICATIONS ARE THE PROPERTY OF SHENZHEN YUCHENG ELECTRONICS,LTD.AND SHALL NOT BE REPRODUCED,COPIED OR USED IN ANY MANNER WITHOUT THE PRIOR WRITTEN CONSENT OF SHENZHEN YUCHENG ELECTRONICS,LTD

APPROVED: WEI JIE
CHECKED: HONG JIN YUN
DRAWING: CHEN YA

UCHENG ELECTRONICS 深圳市裕诚电子有限公司
SHENZHEN YUCHENG ELECTRONICS CO.,LTD

GENERAL TOLERANCES		TITLE: TOGGLE SWITCH	
30~以上	±0.30	PART NO: M3-2569S	
10~30	±0.20	WEBSITE: www.ycelectron.com	
5~10	±0.15	REV: A UNIT: mm SCALE: / SHEET: A4	
~ 5	±0.10	SHEET: 1 / 1	