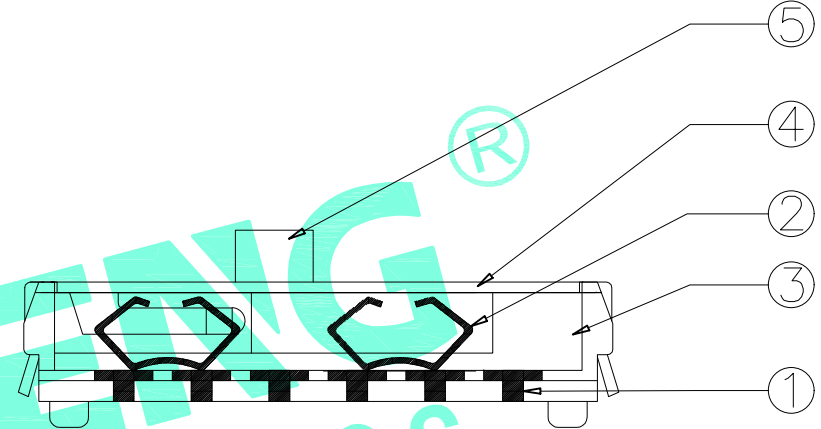
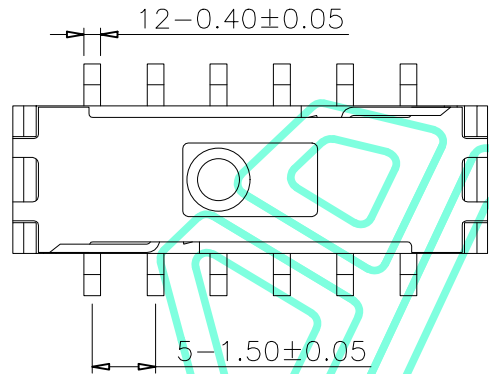
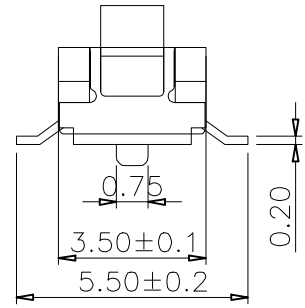
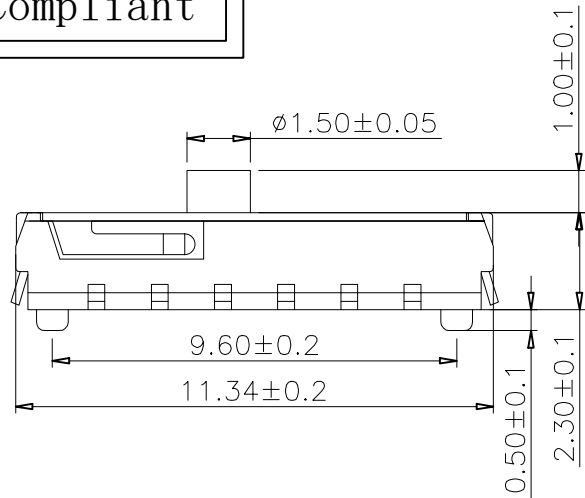
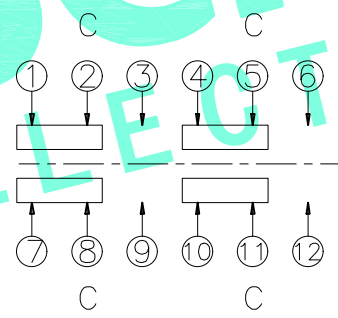


RoHS Compliant

REV. A/0	DESCRIPTION NEW	DESIGN CWF	DATE
-------------	--------------------	---------------	------

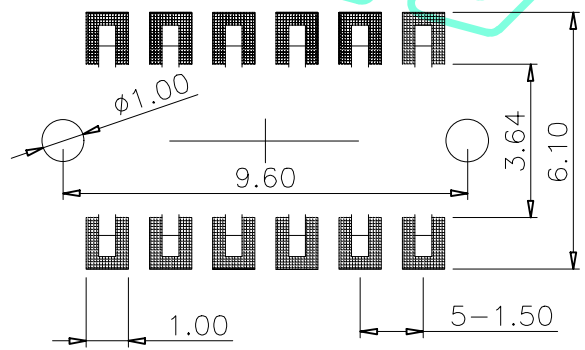


4P-2T



Circuit Diagram

NOTE:
1.0percting force:200±50gf



P.C.B layout

ITEM	PART NAME	QTY.	MATERIAL	FINISHING
⑤	Knob	1	NYLON	Black
④	Cover	1	SUS	
③	Base	1	LCP	Black
②	Contact Clip	4	PBS C5210R-EH	Ag Clad
①	Terminal	12	Brass Strip	Ag Plated

THESE DRAWINGS AND SPECIFICATIONS ARE THE PROPERTY OF SHENZHEN YUCHENG ELECTRONICS,LTD AND SHALL NOT BE REPRODUCED,COPIED OR USED IN ANY MANNER WITHOUT THE PRIOR WRITTEN CONSENT OF SHENZHEN YUCHENG ELECTRONICS,LTD

APPROVED: WEI JIE
 CHECKED: HONG JIN YUN
 DRAWING: CHEN YA

UCHENG® 深圳市裕诚电子有限公司
 ELECTRONICS SHENZHEN YUCHENG ELECTRONICS CO.,LTD

GENERAL TOLERANCES	TITLE:	TOGGLE SWITCH		
30~以上 ±0.30	PART NO:	M3-2596S		
10~30 ±0.20	WEBSITE:	www.ycelectron.com		
5~10 ±0.15	REV: A	UNIT: mm	SCALE: /	SHEET: A4
~ 5 ±0.10	SHEET: 1 / 1			