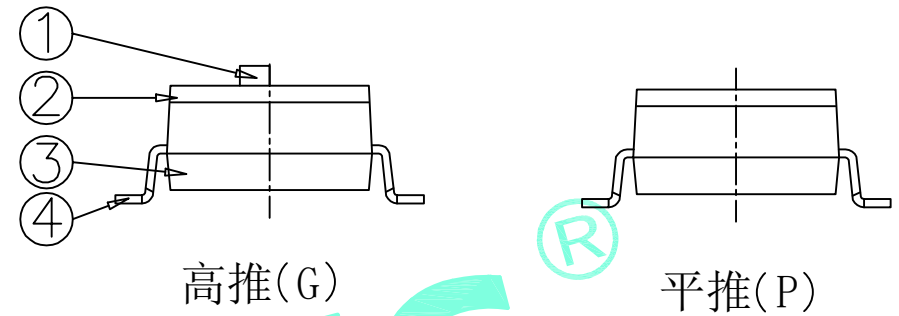
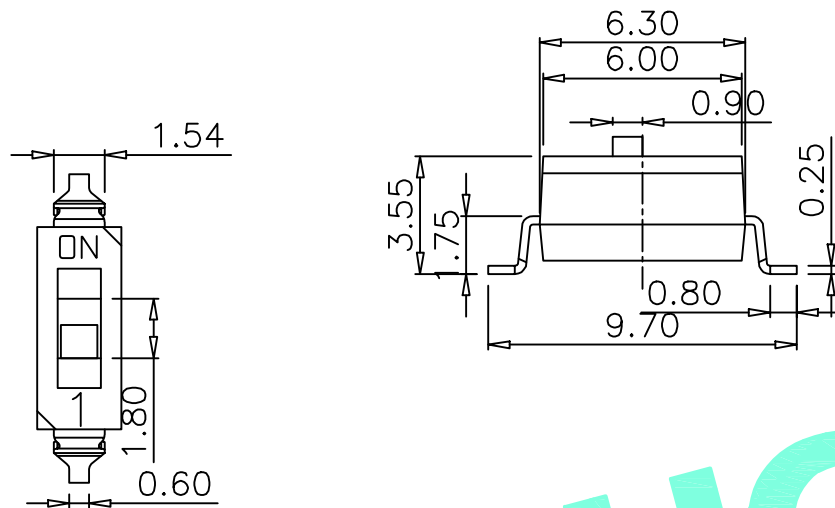
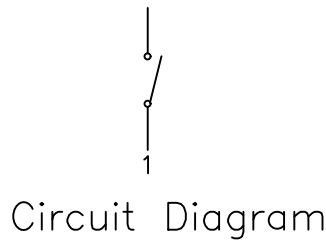
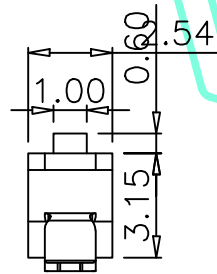
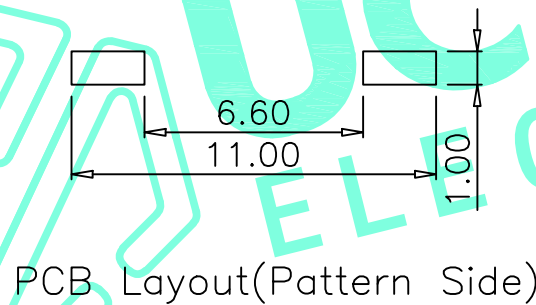


RoHS Compliant

REV. A/0	DESCRIPTION NEW	DESIGN CWF	DATE
-------------	--------------------	---------------	------



- NOTE:
1. Rating: 24V 25mA DC
 2. Insulation Resistance: ≥ 100 M Ω
 3. Withstand voltage: AC 500V 1Minute
 4. Operating Force Range: 800gf Max
 5. Mechanical Life: 3,000 Cycles
 6. Operating Temperature range $-20^{\circ}\sim+70^{\circ}\text{C}$
 7. Ambient Humidity used: $\leq 85\%$ RH



Position(位数)		1P
PART NO. 盖子/黑色	高推(G)	M6-CF01G
	平推(P)	M6-CF01P

④	Terminal	2	Phosphor bronze	Au Plating
③	Base	1	PBT	Black
②	Cover	1	PBT	Black
①	Keystoke	1	PBT	White
ITEM	PART NAME	QTY.	MATERIAL	FINISHING

THESE DRAWINGS AND SPECIFICATIONS ARE THE PROPERTY OF SHENZHEN YUCHENG ELECTRONICS, LTD. AND SHALL NOT BE REPRODUCED, COPIED OR USED IN ANY MANNER WITHOUT THE PRIOR WRITTEN CONSENT OF SHENZHEN YUCHENG ELECTRONICS, LTD.

APPROVED: WEI JIE

CHECKED: HONG JIN YUN

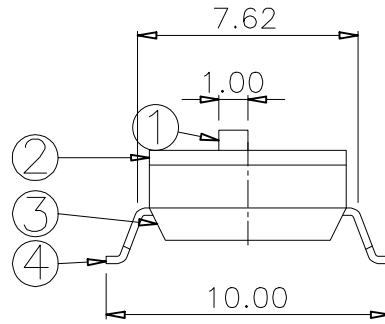
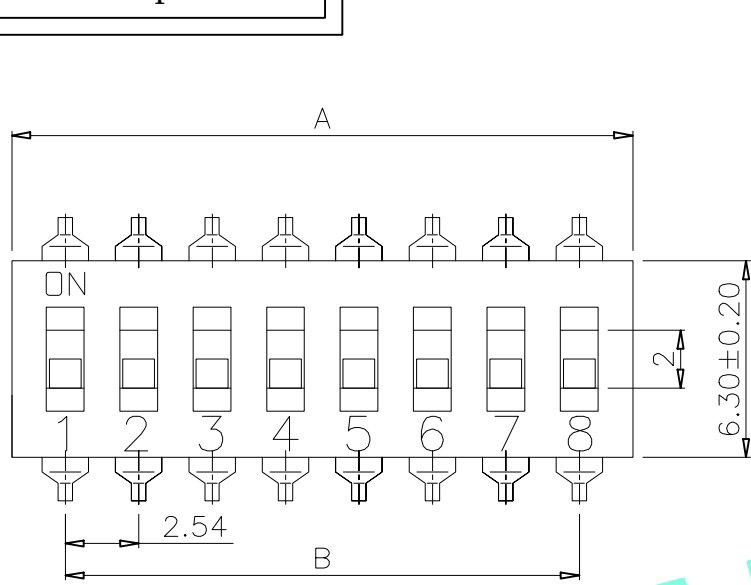
DRAWING: CHEN YA

UCHENG 深圳市裕诚电子有限公司
ELECTRONICS SHENZHEN YUCHENG ELECTRONICS CO.,LTD

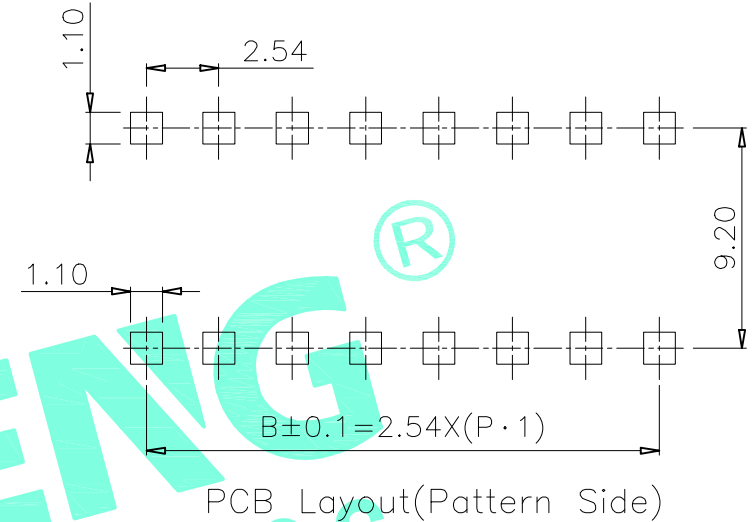
GENERAL TOLERANCES	TITLE:	DIAL SWITCH SPACING 2.54		
30~以上 ±0.30	PART NO.:	M6-CF01G/P		
10~30 ±0.20	WEBSITE:	www.ycelectron.com		
5~10 ±0.15	REV: A	UNIT: mm	SCALE: /	SHEET: A4
~ 5 ±0.10	SHEET: 1 / 1			

RoHS Compliant

REV. A/0	DESCRIPTION NEW	DESIGN CWF	DATE
----------	-----------------	------------	------



高推(G)



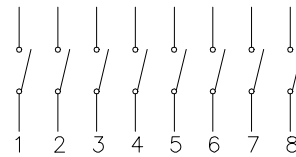
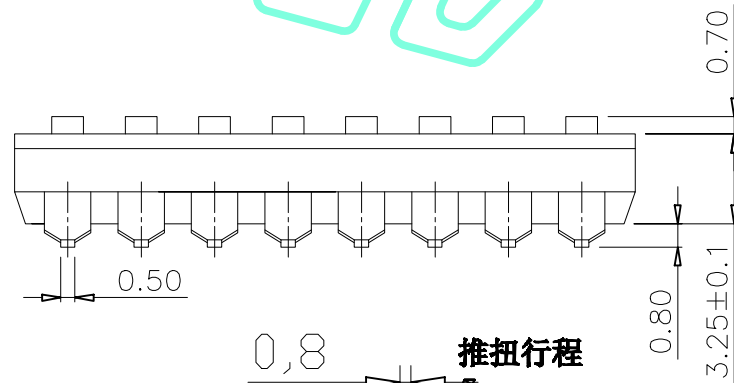
PCB Layout(Pattern Side)



平推(P)

Position(位数)	2P	3P	4P	5P	6P	7P	8P	9P	10P	12P	
DIM.A(长度)	5.08	7.62	10.16	12.70	15.24	17.78	20.32	22.86	25.4	30.48	
DIM.B(长度)	2.54	5.08	7.62	10.16	12.70	15.24	17.78	20.32	22.86	27.94	
PART NO.	高推(G)	M6-CF02G	M6-CF03G	M6-CF04G	M6-CF05G	M6-CF06G	M6-CF07G	M6-CF08G	M6-CF09G	M6-CF10G	M6-CF12G
盖子/黑色	平推(P)	M6-CF02P	M6-CF03P	M6-CF04P	M6-CF05P	M6-CF06P	M6-CF07P	M6-CF08P	M6-CF09P	M6-CF10P	M6-CF12P

- NOTE:
- 1.Rating: 24V 25mADC
 - 2.Insulation Resistance: $\geq 100 \text{ M}\Omega$
 - 3.Withstand voltage: AC 500V 1Minute
 - 4.Operating Force Range: 800gf Max
 - 5.Mechanical Life: 3,000 Cycles
 - 6.Operating Temperature range $-20^{\circ}\sim +70^{\circ}\text{C}$
 - 7.Ambient Humidity used: $\leq 85\%RH$



Circuit Diagram

④	Terminal	2	Phosphor bronze	Au Plating
③	Base	1	PBT	Black
②	Cover	1	PBT	Black
①	Keystoke	1	PBT	White
ITEM	PART NAME	QTY.	MATERIAL	FINISHING

THESE DRAWINGS AND SPECIFICATIONS ARE THE PROPERTY OF SHENZHEN YUCHENG ELECTRONICS, LTD AND SHALL NOT BE REPRODUCED, COPIED OR USED IN ANY MANNER WITHOUT THE PRIOR WRITTEN CONSENT OF SHENZHEN YUCHENG ELECTRONICS, LTD



深圳市裕诚电子有限公司
SHENZHEN YUCHENG ELECTRONICS CO.,LTD

APPROVED:	WEI JIE
CHECKED:	HONG JIN YUN
DRAWING:	CHEN YA

GENERAL TOLERANCES	TITLE:	DIAL SWITCH SPACING 2.54		
30~以上	±0.30	PART NO:	M6-□□□□□	
10~30	±0.20	WEBSITE:	www.ycelectron.com	
5~10	±0.15	REV: A	UNIT: mm	SCALE: /
~ 5	±0.10	SHEET: 1 / 1	SHEET: A4	④