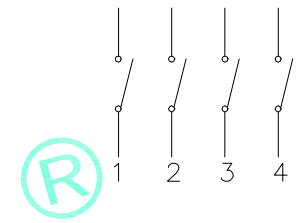
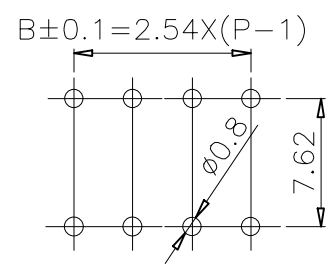
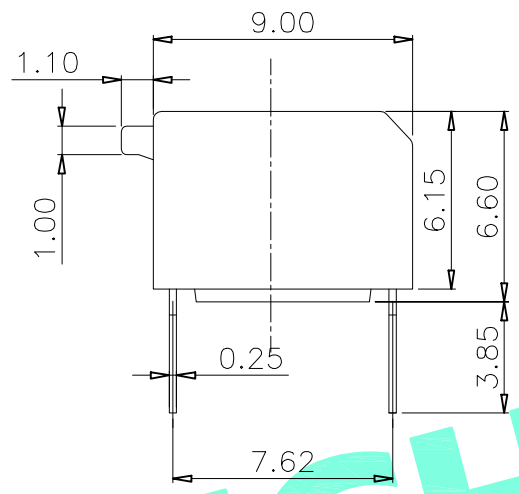
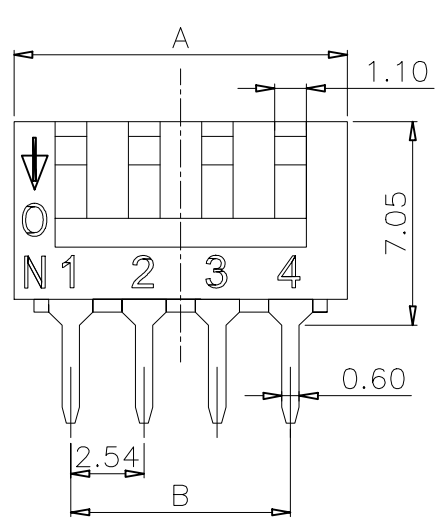


RoHS Compliant

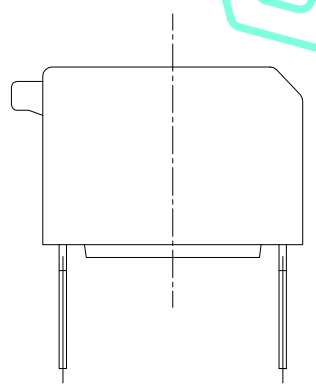
REV. A/0	DESCRIPTION NEW	DESIGN CWF	DATE
----------	-----------------	------------	------



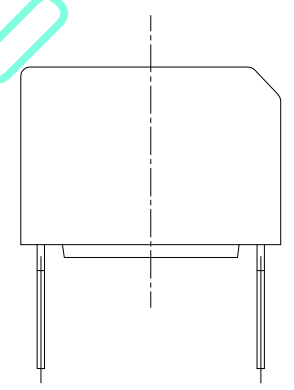
PCB Layout(Pattern Side) Circuit Diagram

- NOTES:
- 1.Specification:
    - 1.1 Operation force: 500gf Max.
    - 1.2 Operation Temperature: -30℃ to +85℃.
    - 1.3 Storage Temperature: -40℃ to +85℃.
    - 1.4 Mechanical Life: 3000 cycles operations.
    - 1.5 Resistance to Soldering: 250±5℃ for 3-5 Seconds.
  - 2.ELECTRICAL:
    - 2.1 Non-switch Rating: 100mA at 50V DC.
    - 2.2 Switching Rating: 25mA at 24V DC.
    - 2.3 Contact Resistance: Initial 50mΩ Max. Contact Resistance: After life 100mΩ Max.
    - 2.4 Insulation Resistance: 1000MΩ Min at 500VDC.
    - 2.5 Dielectric Strength: 500V AC for 60seconds.
    - 2.6 Switch Capacitance: 5PF Max at 1MHZ.

Position(位数)	2P	3P	4P	5P	6P	7P	8P	10P	12P	
DIM.A(长度)	6.48	9.02	11.56	14.10	16.64	19.18	21.72	26.80	31.88	
DIM.B(长度)	2.54	5.08	7.62	10.16	12.70	15.24	17.78	22.86	27.94	
PART NO. 盖子/黑色	高推(G)	M6-HF02G	M6-HF03G	M6-HF04G	M6-HF05G	M6-HF06G	M6-HF07G	M6-HF08G	M6-HF10G	M6-HF12G
	平推(P)	M6-HF02P	M6-HF03P	M6-HF04P	M6-HF05P	M6-HF06P	M6-HF07P	M6-HF08P	M6-HF10P	M6-HF12P



高推(G)



平推(P)

⑤	Gum Water	—	Epikote	Black
④	Terminal	—	Phosphor bronze	Au Plating
③	Base	1	PPS	Black
②	Cover	1	PPS	Black
①	Keystoke	—	Nylon	White
ITEM	PART NAME	QTY.	MATERIAL	FINISHING

THESE DRAWINGS AND SPECIFICATIONS ARE THE PROPERTY OF SHENZHEN YUCHENG ELECTRONICS.,LTD AND SHALL NOT BE REPRODUCED, COPIED OR USED IN ANY MANNER WITHOUT THE PRIOR WRITTEN CONSENT OF SHENZHEN YUCHENG ELECTRONICS.,LTD

APPROVED: WEI JIE  
 CHECKED: HONG JIN YUN  
 DRAWING: CHEN YA

**YUCHENG ELECTRONICS** 深圳市裕诚电子有限公司  
 SHENZHEN YUCHENG ELECTRONICS CO.,LTD

GENERAL TOLERANCES  
 30~以上 ±0.30  
 10~30 ±0.20  
 5~10 ±0.15  
 ~ 5 ±0.10

TITLE: DIAL SWITCH SPACING2.54  
 PART NO: M6-HF□□□  
 WEBSITE: www.ycelectron.com  
 REV: A UNIT: mm SCALE: / SHEET: A4