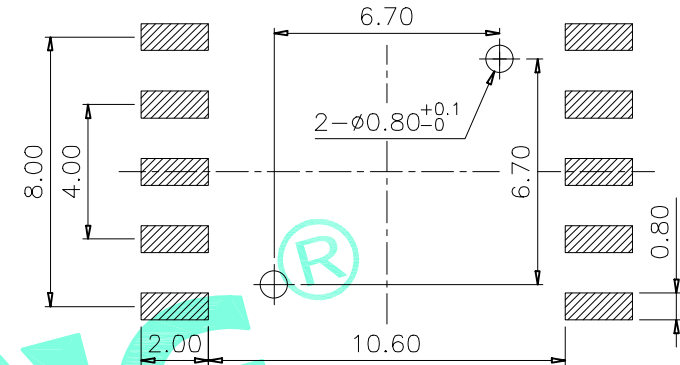
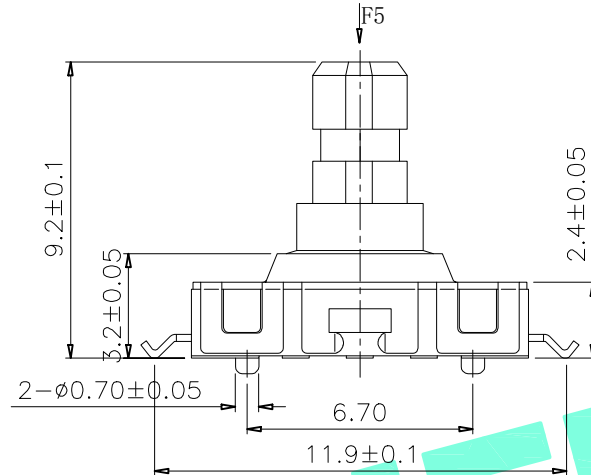
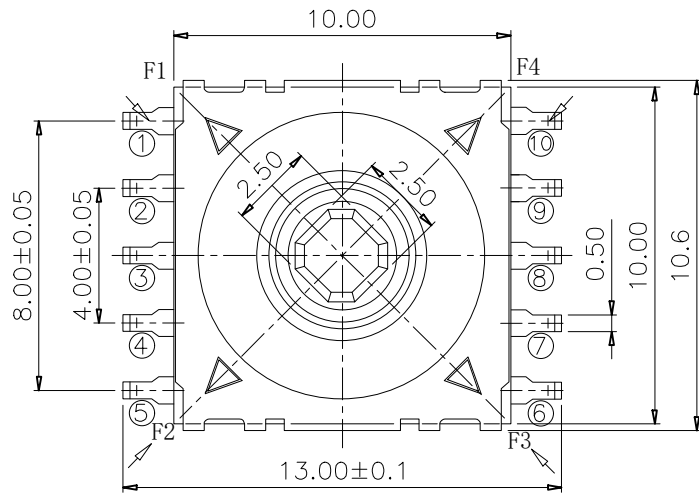


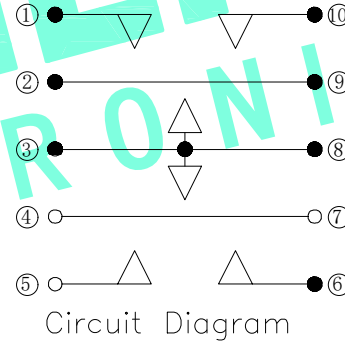
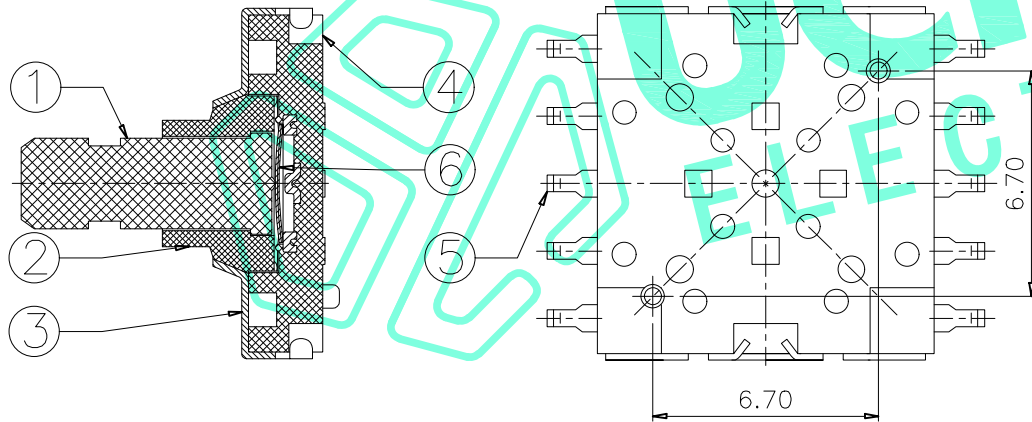
RoHS Compliant

REV. A/0	DESCRIPTION NEW	DESIGN CWF	DATE
----------	-----------------	------------	------



PCB Layout (Pattern side)

NOTE:  
Operating Force:  
lever portion  $4-180 \pm 50$  gf  
Push portion  $250 \pm 50$  gf



ITEM	PART NAME	QTY.	MATERIAL	FINISHING
⑥	Contact	6	F.Ag/SUS	Natural
⑤	Terminal	10	Brass(0.20t)	Plating silver
④	Base	1	LCP	Black
③	Cover	1	SUS	Natural
②	Axle sleeve	1	LCP	Black
①	Keystoke	1	LCP	Black

	1	2	3	4	5	6	7	8	9	10
F1	○	○								○
F2					○	○			○	
F3					○			○	○	
F4		○							○	○
F5	○	○	○					○	○	○

THESE DRAWINGS AND SPECIFICATIONS ARE THE PROPERTY OF SHENZHEN YUCHENG ELECTRONICS,LTD.AND SHALL NOT BE REPRODUCED,COPIED OR USED IN ANY MANNER WITHOUT THE PRIOR WRITTEN CONSENT OF SHENZHEN YUCHENG ELECTRONICS,LTD

**YUCHENG ELECTRONICS** 深圳市裕诚电子有限公司  
SHENZHEN YUCHENG ELECTRONICS CO.,LTD

APPROVED:	WEI JIE	GENERAL TOLERANCES	TITLE:	MULTIFUNCTION SWITCH
CHECKED:	HONG JIN YUN	30~以上 ±0.30	PART NO:	M1-5361G
DRAWING:	CHEN YA	10~30 ±0.20	WEBSITE:	www.ycelectron.com
		5~10 ±0.15	REV: A	UNIT: mm SCALE: / SHEET: A4
		~ 5 ±0.10		
		SHEET: 1 / 1		