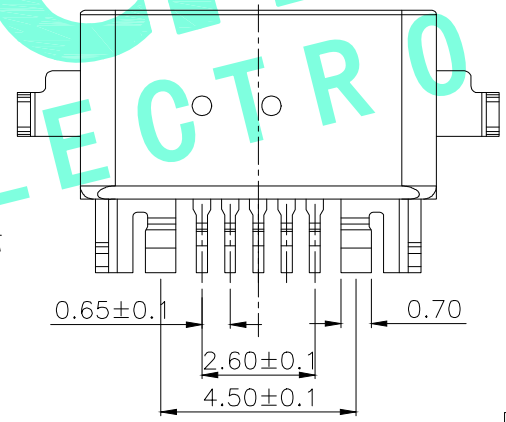
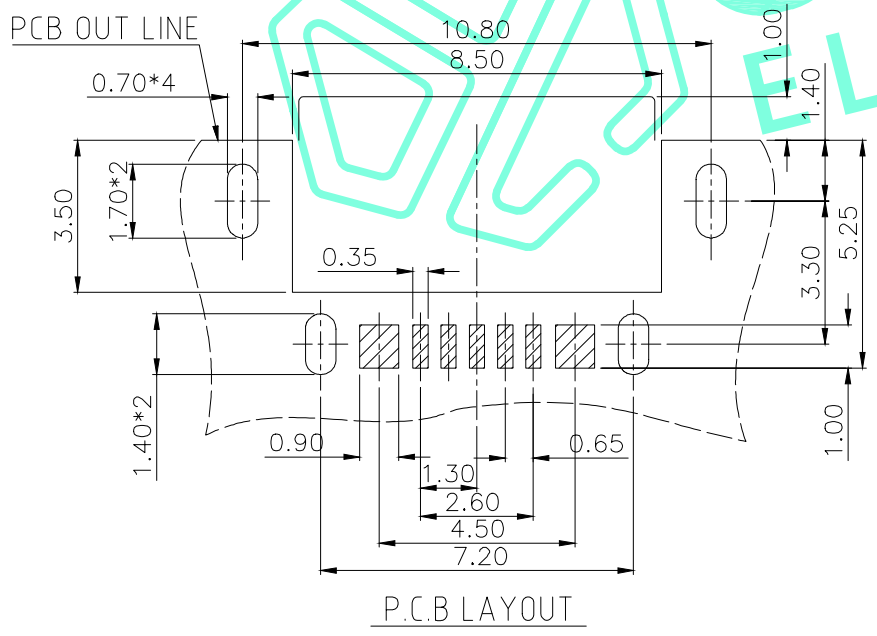
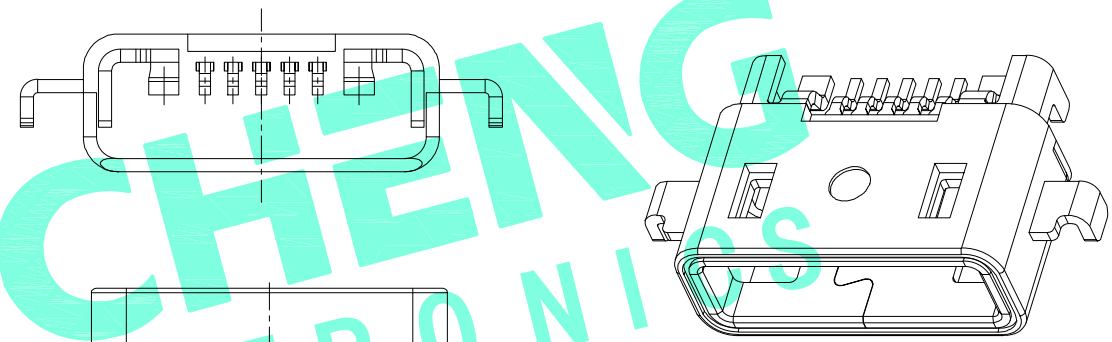
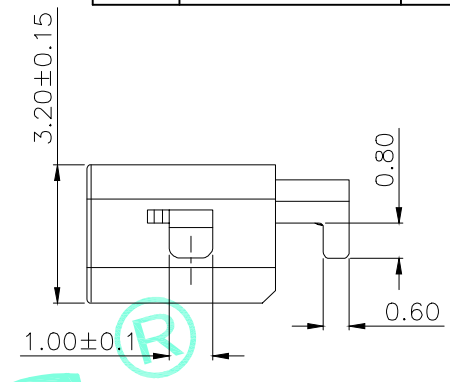
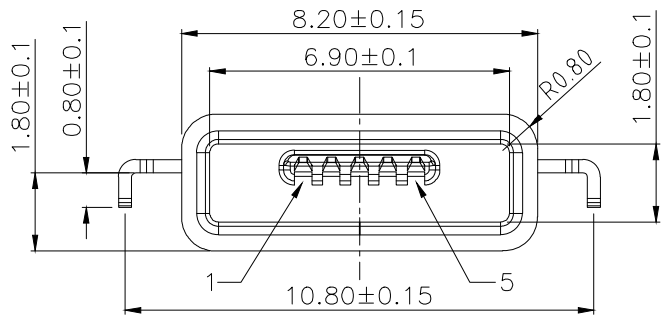
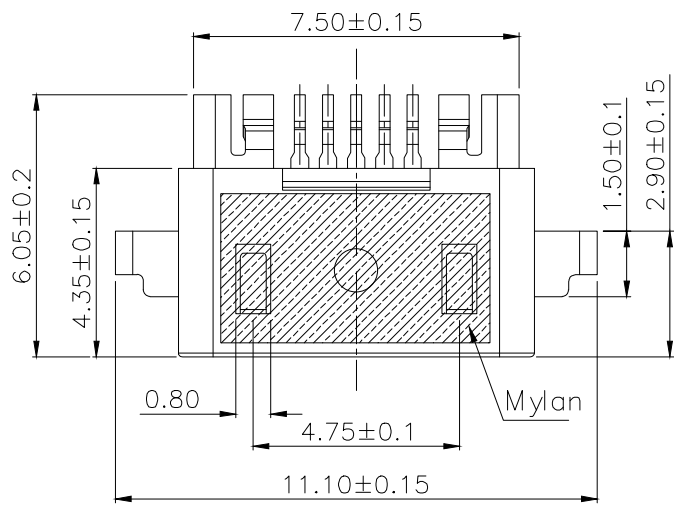


RoHS Compliant

REV. A/0	DESCRIPTION NEW	DESIGN CWF	DATE
----------	-----------------	------------	------



Specifications

1. Rating : AC\DC 30V 1.0A
2. Dielectric withstanding: 250V(AC) for 1min
3. Contact Resistance : 30mΩMax
4. Insulation Resistance: 500MΩ Min
5. Operating Temperature Range: -20°C + 60°C
6. Operating Life : 5,000Cycles
7. IP Rating: IP64

③	Shell	1	Brass	Ni Plated
②	Contact	5	Phosphor Bronze	Au Plated
①	Housing	1	Nylon	Black
ITEM	PART NAME	QTY.	MATERIAL	FINISHING

THESE DRAWINGS AND SPECIFICATIONS ARE THE PROPERTY OF SHENZHEN YUCHENG ELECTRONICS.LTD AND SHALL NOT BE REPRODUCED, COPIED OR USED IN ANY MANNER WITHOUT THE PRIOR WRITTEN CONSENT OF SHENZHEN YUCHENG ELECTRONICS.LTD

APPROVED: WEI JIE
 CHECKED: HONG JIN YUN
 DRAWING: CHEN YA

UCHENG ELECTRONICS 深圳市裕诚电子有限公司
 SHENZHEN YUCHENG ELECTRONICS CO.,LTD

GENERAL TOLERANCES		TITLE: Micro5P AB型 防水母座 5P板上贴片SMT	
30~以上	±0.30	PART NO: MICRO-F82S	
10~30	±0.25	WEBSITE: www.ycelectron.com	
5~10	±0.20	REV: A	
~ 5	±0.15	UNIT: mm	SCALE: /
SHEET: 1 / 1		SHEET: A4	