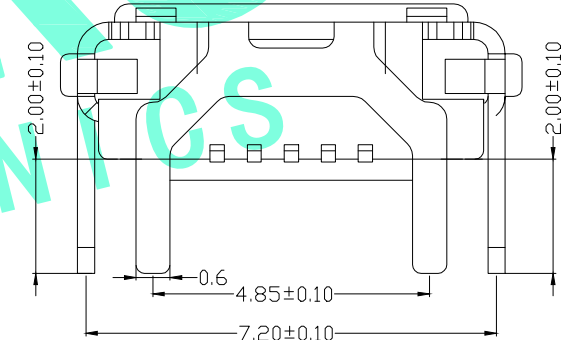
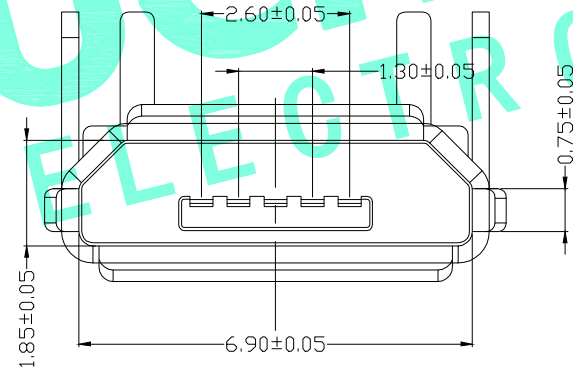
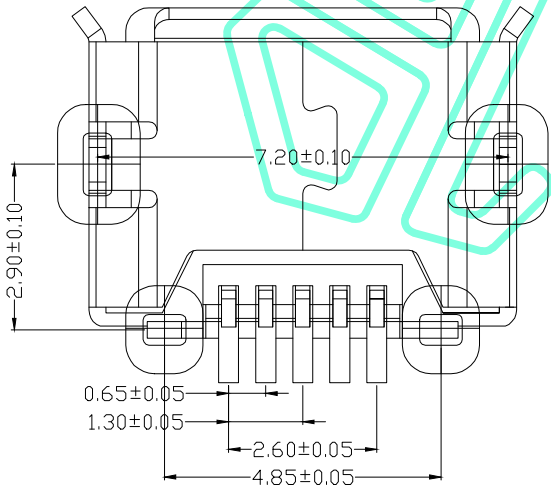
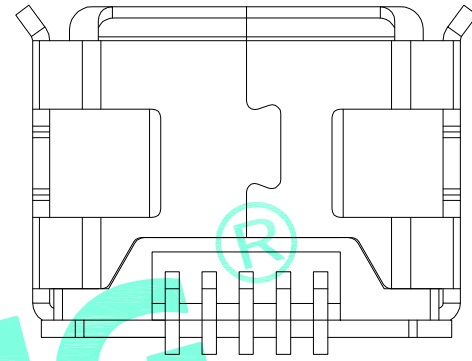
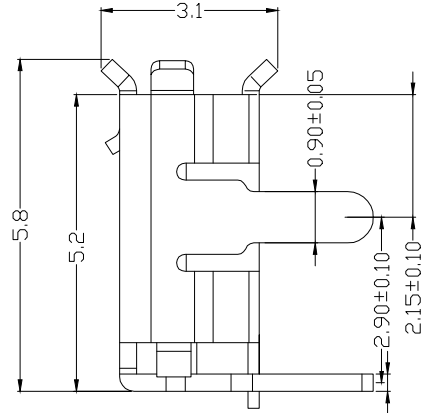
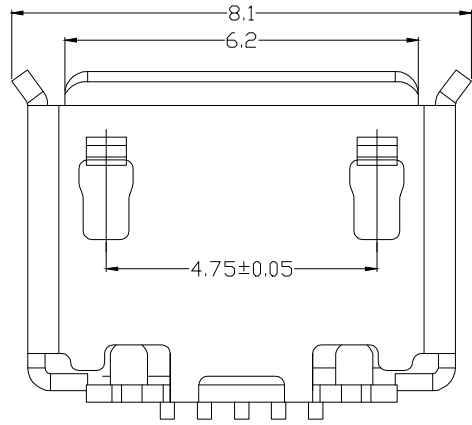


RoHS Compliant

| | | | |
|-------------|--------------------|---------------|------|
| REV. A/0 | DESCRIPTION NEW | DESIGN CWF | DATE |
|-------------|--------------------|---------------|------|



SPECIFICATIONS

- 1.RATING: DC30V 1.0A
- 2.MECHANICAL LIFE: 3,000 CYCLES.

| | | | | |
|------|-----------|------|-----------------|-----------|
| ③ | Shell | 1 | SUS | — |
| ② | Contact | 5 | Phosphor Bronze | Au Plated |
| ① | Housing | 1 | LCP | Black |
| ITEM | PART NAME | QTY. | MATERIAL | FINISHING |

RECOMMENDED PCB LAYOUT

THESE DRAWINGS AND SPECIFICATIONS ARE THE PROPERTY OF SHENZHEN YUCHENG ELECTRONICS.LTD AND SHALL NOT BE REPRODUCED, COPIED OR USED IN ANY MANNER WITHOUT THE PRIOR WRITTEN CONSENT OF SHENZHEN YUCHENG ELECTRONICS.LTD

APPROVED: WEI JIE
 CHECKED: HONG JIN YUN
 DRAWING: CHEN YA

UCHENG ELECTRONICS 深圳市裕诚电子有限公司
 SHENZHEN YUCHENG ELECTRONICS CO.,LTD

| | | | |
|--------------------|-------|--|----------|
| GENERAL TOLERANCES | | TITLE: MICRO5PF牛脚型7. 2+4. 85脚长2. 0端子加长0. 7 | |
| 30~以上 | ±0.30 | PART NO: MICRO-JC20 | |
| 10~30 | ±0.25 | WEBSITE: www.ycelectron.com | |
| 5~10 | ±0.20 | REV: A | |
| ~ 5 | ±0.15 | UNIT: mm | SCALE: / |
| SHEET: 1 / 1 | | SHEET: A4 | |