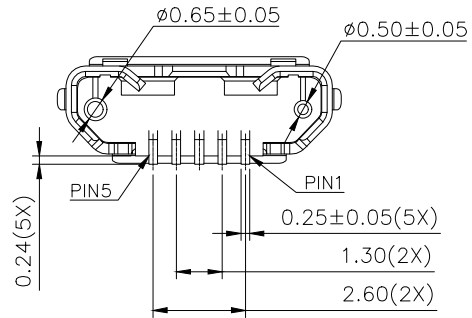
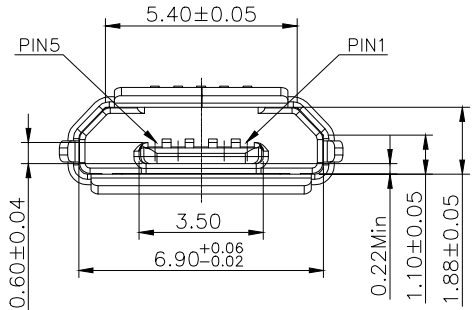
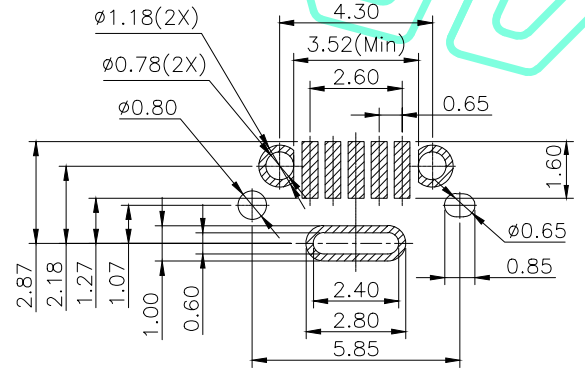
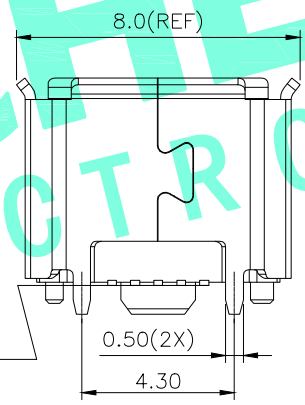
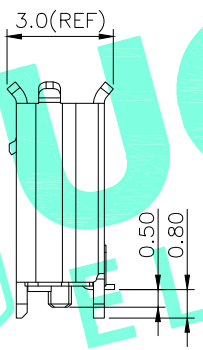
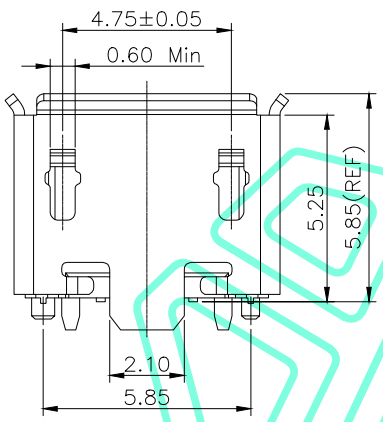


RoHS Compliant

REV. A/0	DESCRIPTION NEW	DESIGN CWF	DATE
-------------	--------------------	---------------	------



PIN NUMBER	SIGNAL NAME
Pin1	VBUS
Pin2	D-
Pin3	D+
Pin4	ID
Pin5	GND



RECOMMENDED PCB LAYOUT(TOP VIEW)  
DEFAULT TOLERANCE:±0.05

NOTE:  
1.MATERIAL SPECIFICATION:  
1.HOUSING:LCP,UL94 V-0 BLACK.  
2.CONTACTS: BRASS(C2680)  
3.FRONT SHELL: STAINLESS STEEL(SUS304)  
2.PLATING SPECIFICATION:  
2-1.CONTACTS:  
Ni 50u" MIN. UNDER PLATED OVER ALL.  
Au PLATED ON THE FUNCTIONAL AREA OF CONTACT.  
(GOLD PLATING THICKNESS FOLLOW THE P/N)  
PLATING SPECIFICATIONS OF THE SOLDER AREA FOLLOW THE P/N  
2-2.FRONT SHELL:  
PLATING SPECIFICATIONS FOLLOW THE P/N  
3.MECHANICAL PERFORMANCE,  
3-1.INSERTION FORCE: 3.5kgf MAX  
3-2.REMOVAL FORCE: 0.8kgf MIN  
3-3.DURABILITY: 10000 CYCLES.  
4.ELECTRICAL PERFORMANCE,  
4-1.CURRENT RATING:  
VBUS & GND PINS: 1.8A MAX.  
OTHER PINS: 0.5A MAX.  
4-2. LLCR:  
VBUS & GND PINS AND OTHER PINS: 30mΩ/PIN MAX.  
SHIELD: 50mΩ/MAX.  
LLCR MAX. CHANGE OF ALL PINS: 10mΩ.  
4-3.INSULATION RESISTANCE: 100MΩ MIN  
4-4.DIELECTRIC WITHSTAND VOLTAGE,AC 100V FOR 1 MINUTE.  
5. ENVIRONMENTAL PERFORMANCE:  
OPERATING TEMPERATURE: -25°C~+85°C.

THESE DRAWINGS AND SPECIFICATIONS ARE THE PROPERTY OF SHENZHEN YUCHENG ELECTRONICS.LTD AND SHALL NOT BE REPRODUCED,COPIED OR USED IN ANY MANNER WITHOUT THE PRIOR WRITTEN CONSENT OF SHENZHEN YUCHENG ELECTRONICS.LTD

**UCHENG** ELECTRONICS 深圳市裕诚电子有限公司  
SHENZHEN YUCHENG ELECTRONICS CO.,LTD

APPROVED: WEI JIE		TITLE: Micro5P 180度立式贴片SMT5.85H有柱卷边	
CHECKED: HONG JIN YUN		PART NO: MICRO-L58T	
DRAWING: CHEN YA		WEBSITE: www.ycelectron.com	
SHEET: 1 / 1		REV: A	UNIT: mm SCALE: / SHEET: A4