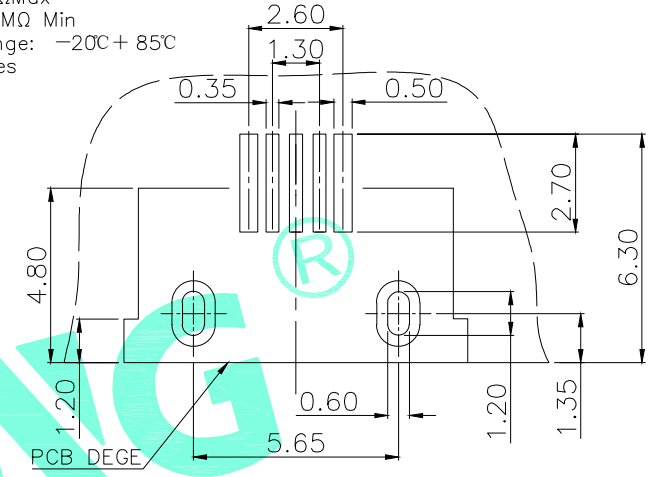
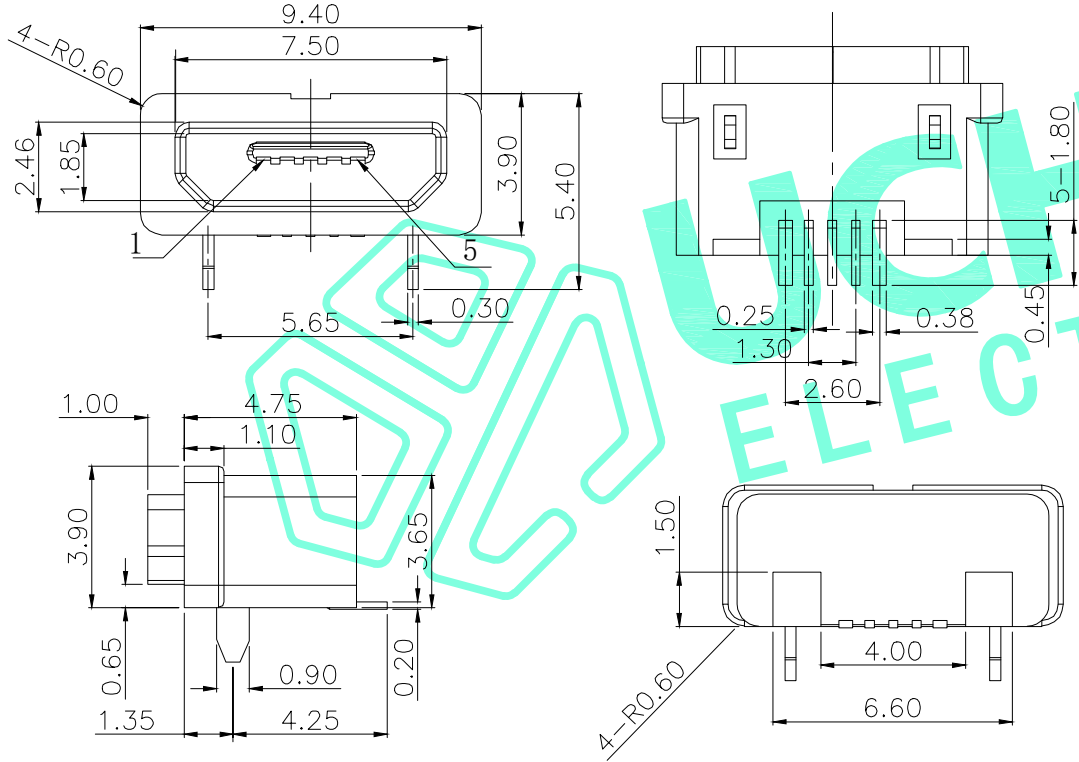
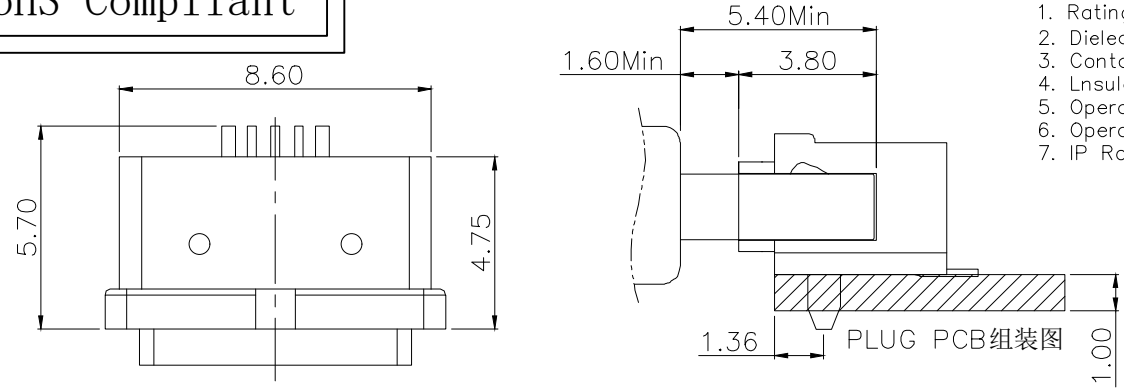


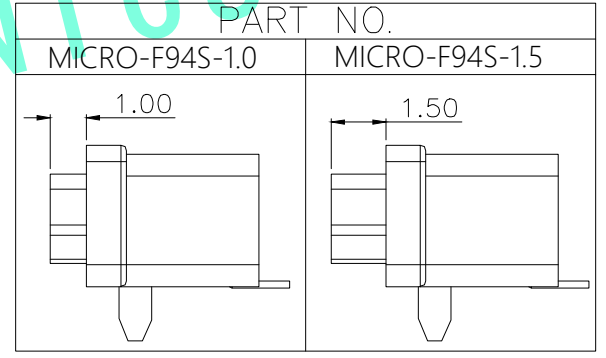
RoHS Compliant

- Specifications
1. Rating : AC\DC 30V 1.0A
 2. Dielectric withstanding: 250V(AC) for 1min
 3. Contact Resistance : 30mΩMax
 4. Insulation Resistance: 500MΩ Min
 5. Operating Temperature Range: -20°C + 85°C
 6. Operating Life : 5,000Cycles
 7. IP Rating: IPX6

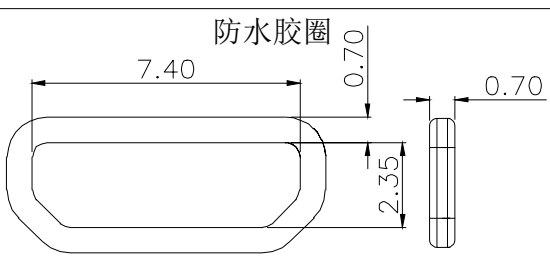
REV.	DESCRIPTION	DESIGN	DATE
A/0	NEW	CFW	



P. C. B LAYOUT



ITEM	PART NAME	QTY.	MATERIAL	FINISHING
③	Shell	1	SUS	Ni Plated
②	Contact	5	Phosphor Bronze	Au/Ni Plated
①	Housing	1	Nylon	Black



Contact Number	Signal Name	Remarks
1	VBUS	Power
2	D-	Date-
3	D+	Date+
4	ID	Reserve or Ground
5	GND	Ground

THESE DRAWINGS AND SPECIFICATIONS ARE THE PROPERTY OF SHENZHEN YUCHENG ELECTRONICS, LTD. AND SHALL NOT BE REPRODUCED, COPIED OR USED IN ANY MANNER WITHOUT THE PRIOR WRITTEN CONSENT OF SHENZHEN YUCHENG ELECTRONICS, LTD.

APPROVED:	WEI JIE
CHECKED:	HONG JIN YUN
DRAWING:	CHEN YA

UCHENG ELECTRONICS 深圳市裕诚电子有限公司
SHENZHEN YUCHENG ELECTRONICS CO.,LTD

GENERAL TOLERANCES	TITLE:	防水Micro5PBF板上5.9两脚插板SMT7. 1L
30~以上 ±0.30	PART NO.:	MICRO-F94S
10~30 ±0.25	WEBSITE:	www.ycelectron.com
5~10 ±0.20	REV: A	UNIT: mm SCALE: / SHEET: A4
~ 5 ±0.15		
SHEET: 1 / 1		