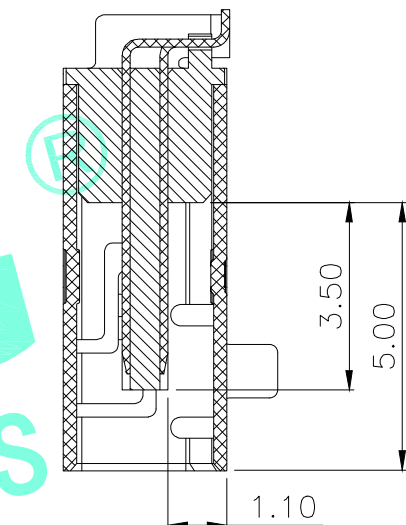
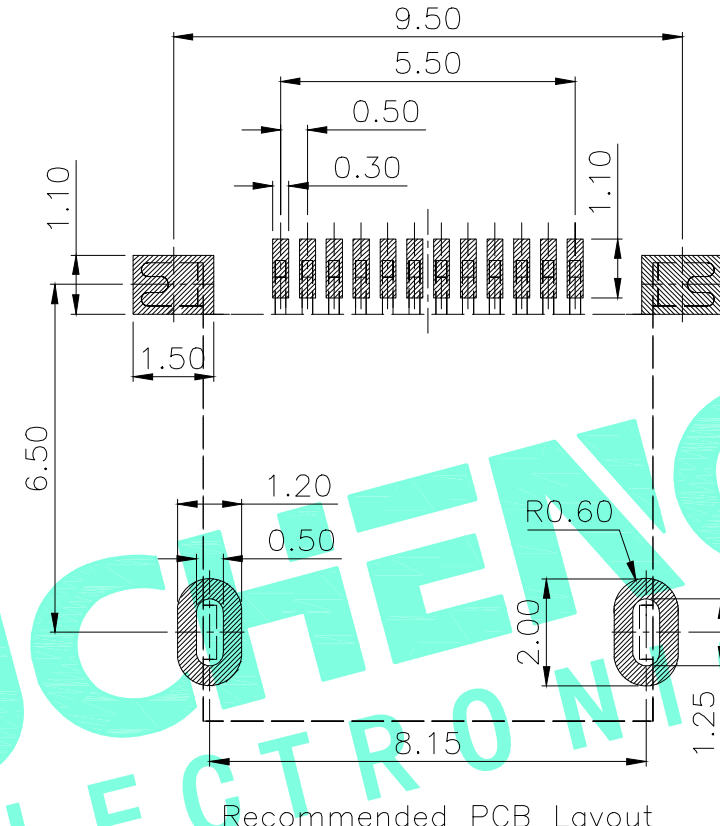
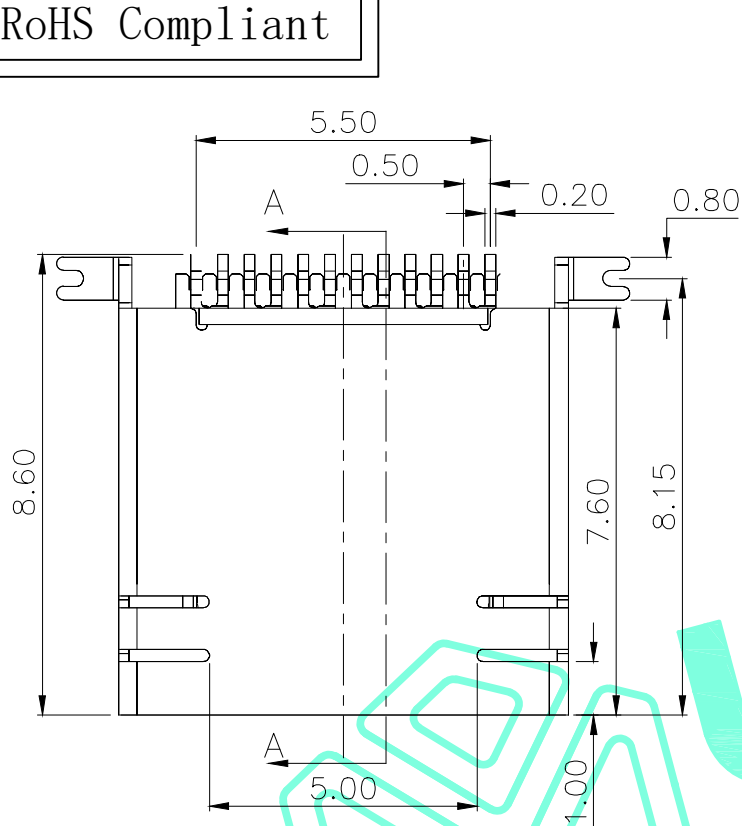
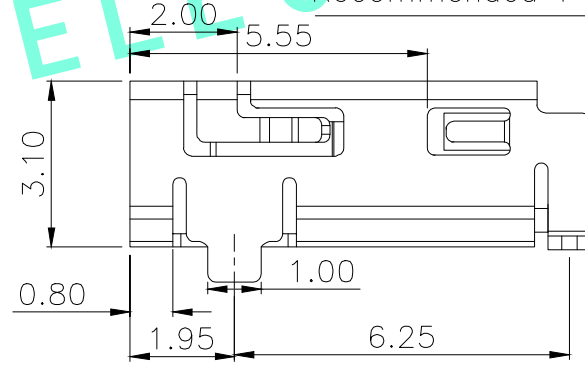
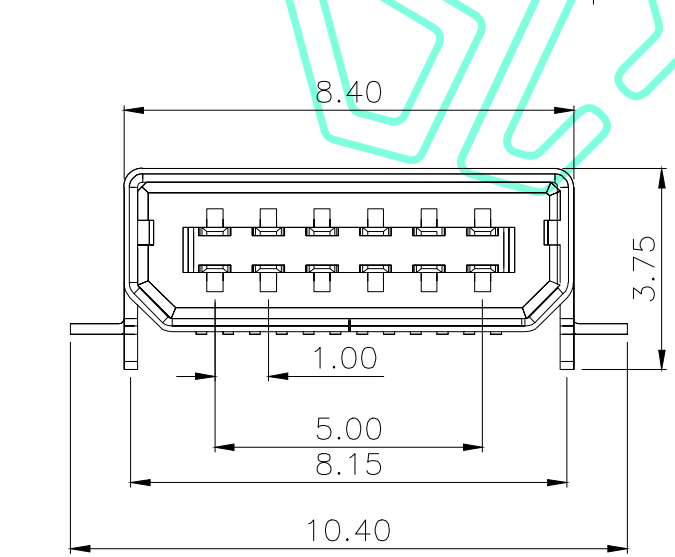


RoHS Compliant

REV. A/0	DESCRIPTION NEW	DESIGN CWF	DATE
-------------	--------------------	---------------	------



SECTION A-A



③	Shell	1	Phosphor Bronze	Sn Plated
②	Contact	12	Phosphor Bronze	Ag Plated
①	Housing	1	LCP	Black
ITEM	PART NAME	QTY.	MATERIAL	FINISHING

THESE DRAWINGS AND SPECIFICATIONS ARE THE PROPERTY OF SHENZHEN YUCHENG ELECTRONICS,LTD AND SHALL NOT BE REPRODUCED, COPIED OR USED IN ANY MANNER WITHOUT THE PRIOR WRITTEN CONSENT OF SHENZHEN YUCHENG ELECTRONICS,LTD

APPROVED: WEI JIE  
 CHECKED: HONG JIN YUN  
 DRAWING: CHEN YA

**UCHENG** 深圳市裕诚电子有限公司  
 ELECTRONICS SHENZHEN YUCHENG ELECTRONICS CO.,LTD

GENERAL TOLERANCES	TITLE:	MINI USB 12P前插后贴SMT		
30~以上 ±0.30	PART NO:	MINI-Q12T		
10~30 ±0.25	WEBSITE:	www.ycelectron.com		
5~10 ±0.20	REV: A	UNIT: mm	SCALE: /	SHEET: A4
~ 5 ±0.15				
SHEET: 1 / 1				