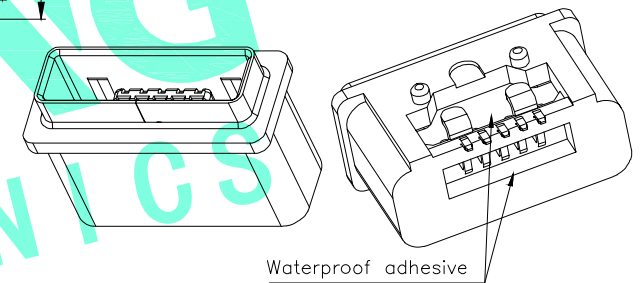
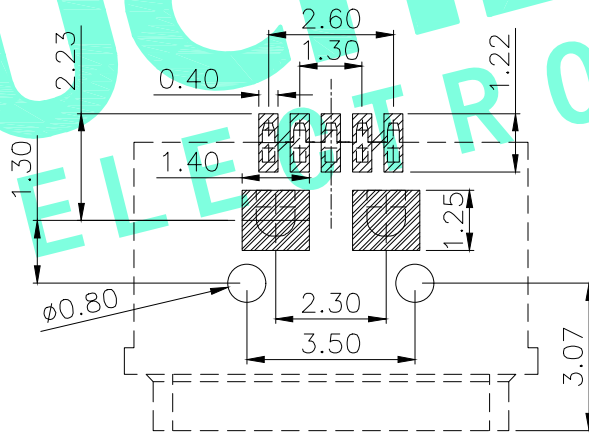
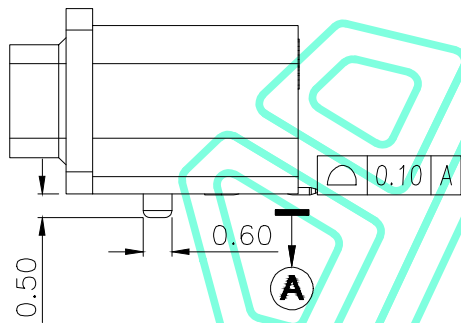
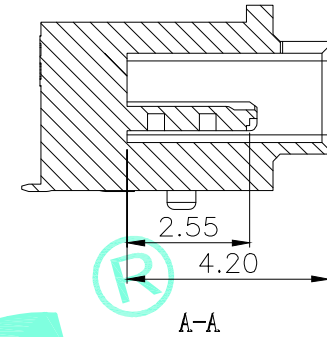
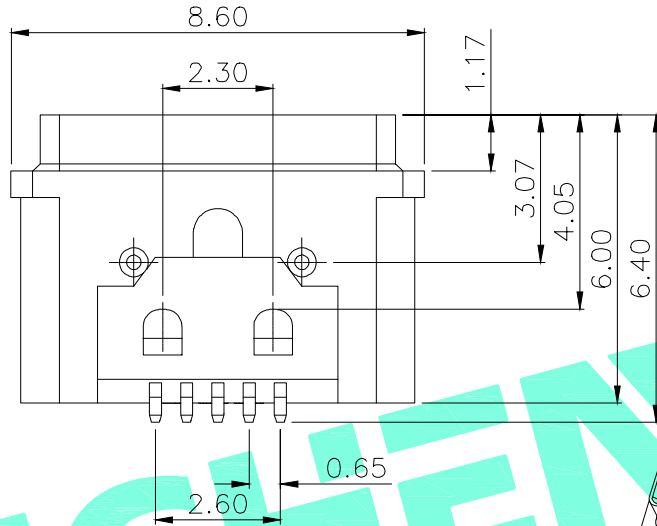
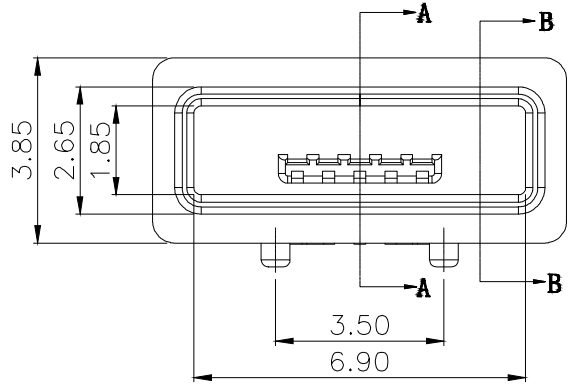


RoHS Compliant

Waterproof Rating: IPX7

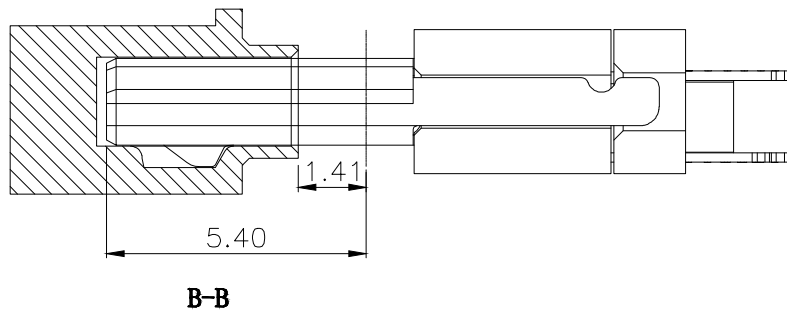
REV. A/0	DESCRIPTION NEW	DESIGN CWF	DATE
-------------	--------------------	---------------	------



Specifications

1. Rating : DC 30V 0.5A
2. Dielectric withstanding: 100V(AC) for 1min
3. Contact Resistance : 50mΩMax
4. Insulation Resistance: 100MΩ Min
5. Operating Temperature Range: -25°C +80°C
6. Operating Force : 8-30N
7. Operating Life : 5,000Cycles

Recommended PCB Layout



③	Shell	1	SUS	Natural
②	Contact	5	Copper Alloy	Au Plated
①	Housing	1	LCP	Black
ITEM	PART NAME	QTY.	MATERIAL	FINISHING

THESE DRAWINGS AND SPECIFICATIONS ARE THE PROPERTY OF SHENZHEN YUCHENG ELECTRONICS, LTD. AND SHALL NOT BE REPRODUCED, COPIED OR USED IN ANY MANNER WITHOUT THE PRIOR WRITTEN CONSENT OF SHENZHEN YUCHENG ELECTRONICS, LTD.



深圳市裕诚电子有限公司  
SHENZHEN YUCHENG ELECTRONICS CO.,LTD

APPROVED:	WEI JIE	GENERAL TOLERANCES	TITLE:	MICRO 防水IP67全包AB型带防水圈 贴片母座
CHECKED:	HONG JIN YUN	30~以上 ±0.30	PART NO.:	MICRO-F86S
DRAWING:	CHEN YA	10~30 ±0.25	WEBSITE :	www.ycelectron.com
		5~10 ±0.20	REV: A	UNIT: mm SCALE: / SHEET: A4
		~ 5 ±0.15		
		SHEET: 1 / 1		