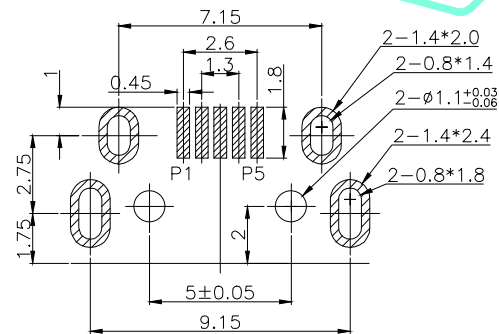
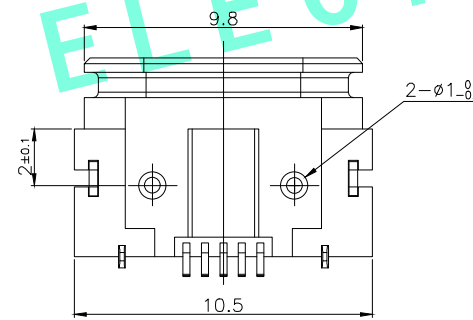
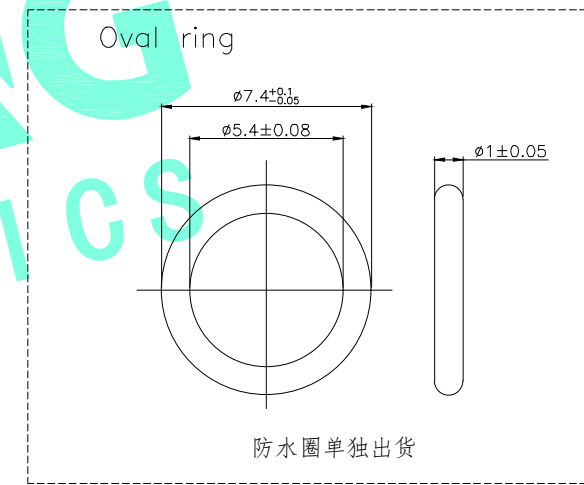
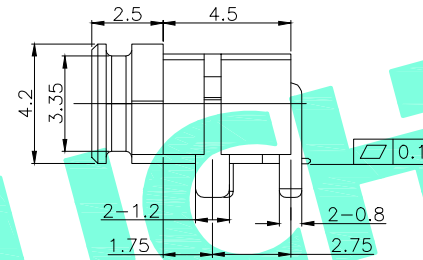
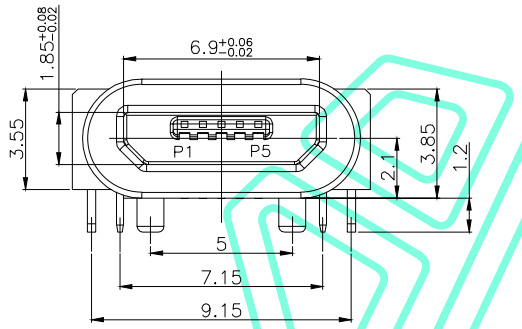
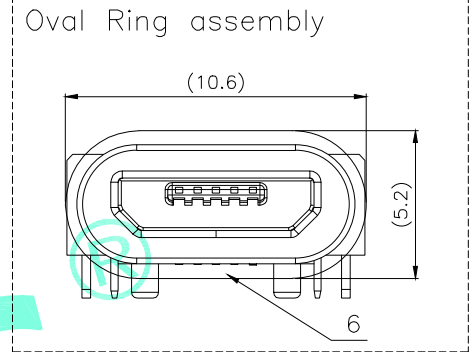
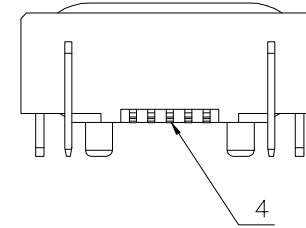
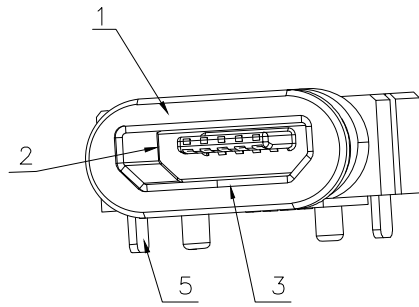
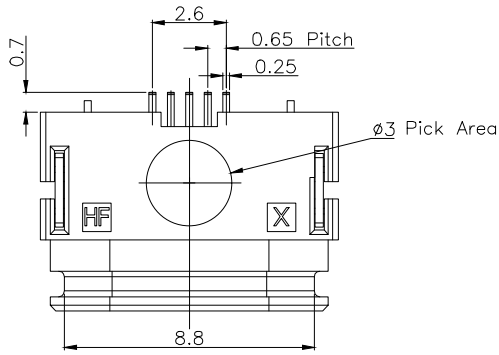


RoHS Compliant

REV. A/0	DESCRIPTION NEW	DESIGN CWF	DATE
-------------	--------------------	---------------	------



RECOMMENDED PCB LAYOUT

⑥	Oval ring	1	Silicone	
⑤	Fixed foot	2	Copper alloy	Ag Plated
④	Terminal	5	Copper alloy	Au Plated
③	Inner shell	1	SUS 304	Ni Plated
②	Body	1	LCP	Black
①	Outer shell	1	PA9T	Black
ITEM	PART NAME	QTY.	MATERIAL	FINISHING

THESE DRAWINGS AND SPECIFICATIONS ARE THE PROPERTY OF SHENZHEN YUCHENG ELECTRONICS, LTD. AND SHALL NOT BE REPRODUCED, COPIED OR USED IN ANY MANNER WITHOUT THE PRIOR WRITTEN CONSENT OF SHENZHEN YUCHENG ELECTRONICS, LTD.



深圳市裕诚电子有限公司
SHENZHEN YUCHENG ELECTRONICS CO.,LTD

APPROVED:	WEI JIE	GENERAL TOLERANCES	TITLE:	防水Micro5PBF板上四脚插板SMT有柱3.85 4.75H
CHECKED:	HONG JIN YUN	30~以上 ±0.30	PART NO:	MICRO-F105
DRAWING:	CHEN YA	10~30 ±0.25	WEBSITE:	www.ycelectron.com
		5~10 ±0.20	REV: A	UNIT: mm SCALE: / SHEET: A4
		~ 5 ±0.15		
		SHEET: 1 / 1		

