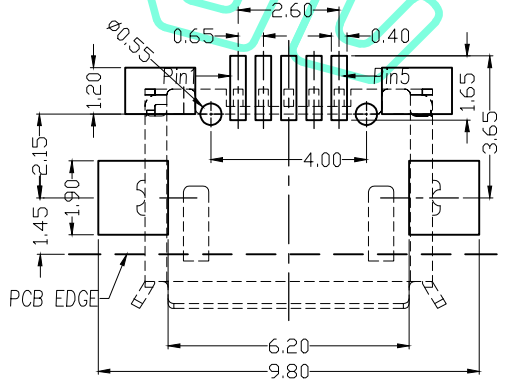
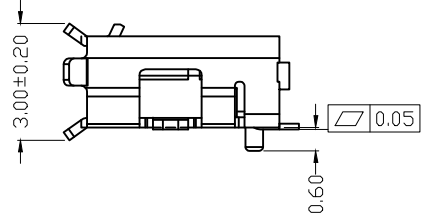
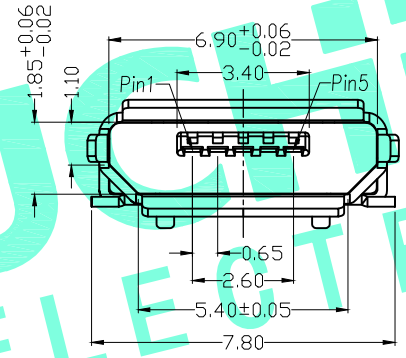
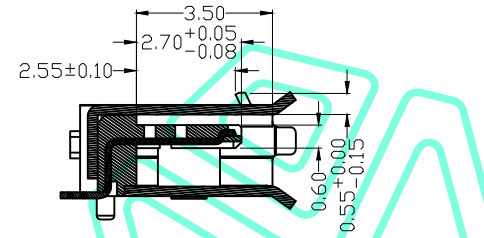
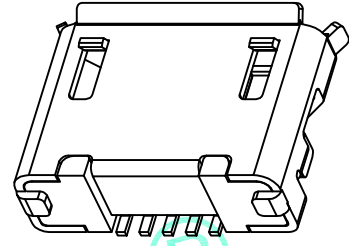
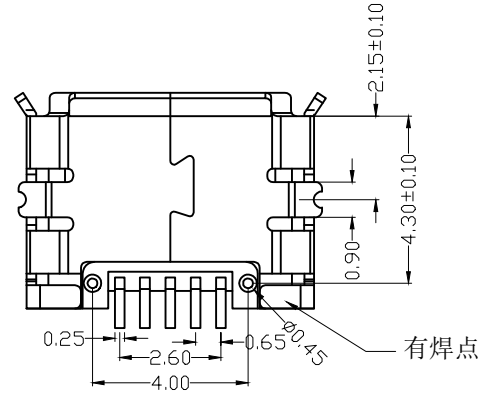
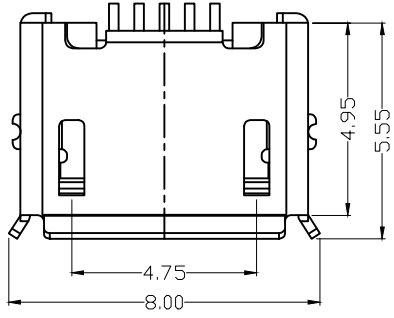


RoHS Compliant

REV. A/0	DESCRIPTION NEW	DESIGN CWF	DATE
----------	-----------------	------------	------



RECOMMENDED PCB LAYOUT

规格说明: Specifications:
 电气特性: Electrical:
 1. 额定电流: Current Rating
 1.0A/contact terminal
 2. 额定电压: Voltage Rating
 30V DC
 3. 接触阻抗: Contact Resistance
 50 milliohms MAX
 4. 耐电压: Dielectric Withstanding Voltage:
 300V ACATSea Level
 5. 绝缘阻抗: Insulation Resistance:
 100MEGA ohms MIN
 物理性能: Mechanical:
 1. 插拔力: Connector Mate and Unmate Force
 Mate force: 3.0kgf (MAX)
 Unmate force: 0.7kgf (MIN)
 2. 端子保持力: Terminal Retention
 0.5kgf (MIN)
 原材料: Material:
 1. 塑胶: Housing:
 High Temperature Thermoplastics,
 U1 94V-0 LCP Black
 2. 端子: Contact: Copper Alloy C5191
 3. 外壳: Shell: Copper Alloy C2680
 电镀: Finish:
 1. 端子: Contact: Plated Gold in Mating Area;
 Tin On Solder Tails
 2. 外壳: Shell:
 Nickel Plating

THESE DRAWINGS AND SPECIFICATIONS ARE THE PROPERTY OF SHENZHEN YUCHENG ELECTRONICS, LTD. AND SHALL NOT BE REPRODUCED, COPIED OR USED IN ANY MANNER WITHOUT THE PRIOR WRITTEN CONSENT OF SHENZHEN YUCHENG ELECTRONICS, LTD.

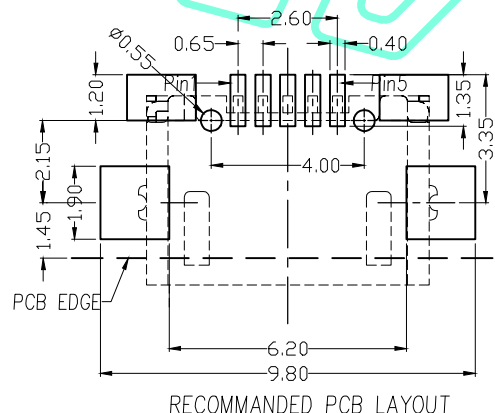
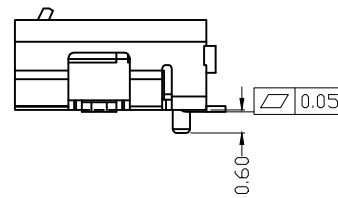
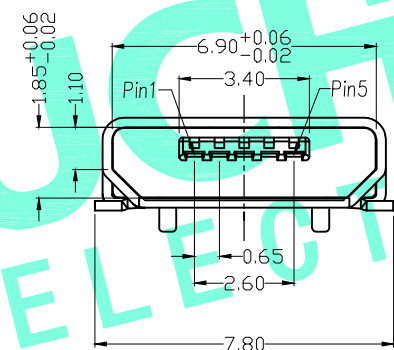
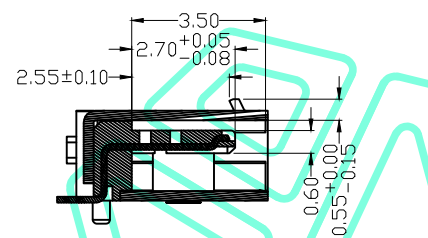
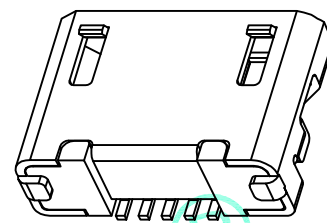
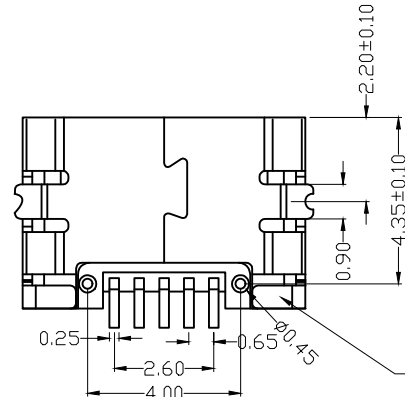
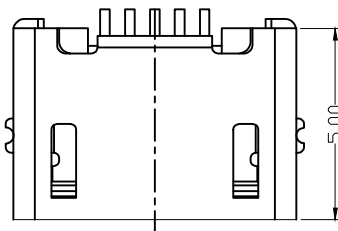


深圳市裕诚电子有限公司
 SHENZHEN YUCHENG ELECTRONICS CO.,LTD

APPROVED:	WEI JIE	GENERAL TOLERANCES	30~以上	±0.30	TITLE:	MICRO 5P SMT有柱 卷边			
CHECKED:	HONG JIN YUN	10~30	±0.25	PART NO:	MICRO-QT55-J				
DRAWING:	CHEN YA	5~10	±0.20	WEBSITE:	www.ycelectron.com				
		~ 5	±0.15	REV: A	UNIT: mm	SCALE: /	SHEET: A4	11	
		SHEET:	1 / 1						

RoHS Compliant

REV.	DESCRIPTION	DESIGN	DATE
A/0	NEW	CWF	



规格说明: Specifications:
 电气特性: Electrical:
 1. 额定电流: Current Rating
 1.0A/contact terminal
 2. 额定电压: Voltage Rating
 30V DC
 3. 接触阻抗: Contact Resistance
 50 milliohms MAX
 4. 耐电压: Dielectric Withstanding Voltage:
 300V ACATSea Level
 5. 绝缘阻抗: Insulation Resistance:
 100MEGA ohms MIN
 物理性能: Mechanical:
 1. 插拔力: Connector Mate and Unmate Force
 Mate force: 3.0kgf (MAX)
 Unmate force: 0.7kgf (MIN)
 2. 端子保持力: Terminal Retention
 0.5kgf (MIN)
 原材料: Material:
 1. 塑胶: Housing:
 High Temperature Thermoplastics,
 U1 94V-0 LCP Black
 2. 端子: Contact: Copper Alloy C5191
 3. 外壳: Shell: Copper Alloy C2680
 电镀: Finish:
 1. 端子: Contact: Plated Gold in Mating Area;
 Tin On Solder Talls
 2. 外壳: Shell:
 Nickel Plating

THESE DRAWINGS AND SPECIFICATIONS ARE THE PROPERTY OF SHENZHEN YUCHENG ELECTRONICS, LTD. AND SHALL NOT BE REPRODUCED, COPIED OR USED IN ANY MANNER WITHOUT THE PRIOR WRITTEN CONSENT OF SHENZHEN YUCHENG ELECTRONICS, LTD.

APPROVED:	WEI JIE
CHECKED:	HONG JIN YUN
DRAWING:	CHEN YA

UCHENG ELECTRONICS 深圳市裕诚电子有限公司
 SHENZHEN YUCHENG ELECTRONICS CO.,LTD

GENERAL TOLERANCES	TITLE:	MICRO 5P SMT有柱 直边
30~以上 ±0.30	PART NO:	MICRO-QT55-Z
10~30 ±0.25	WEBSITE:	www.ycelectron.com
5~10 ±0.20	REV: A	UNIT: mm
~ 5 ±0.15	SHEET: 1 / 1	SCALE: /
		SHEET: A4