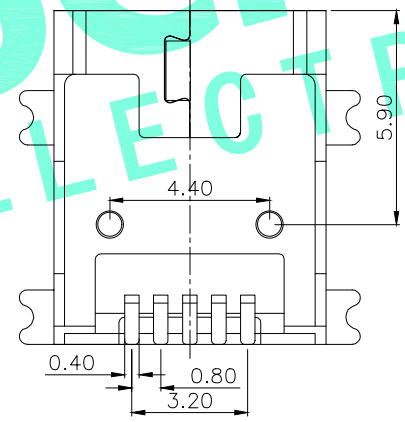
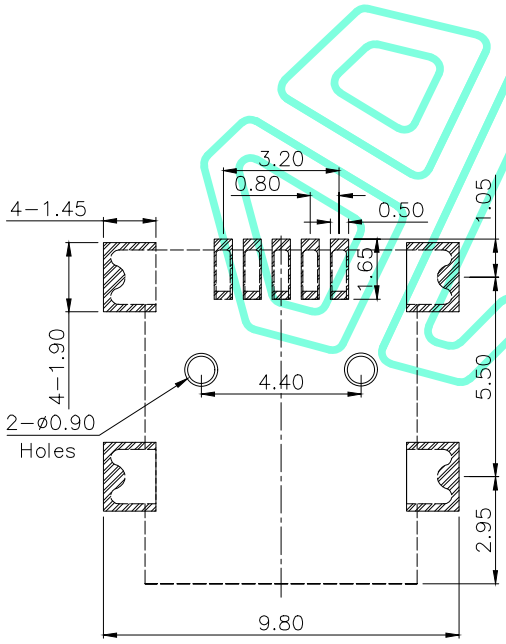
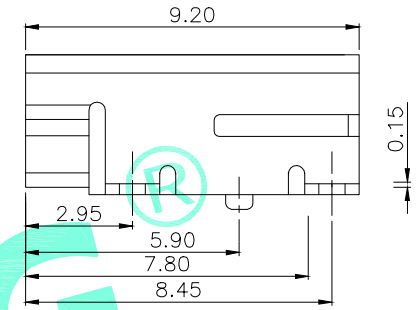
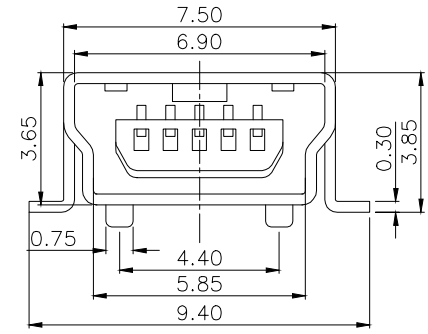
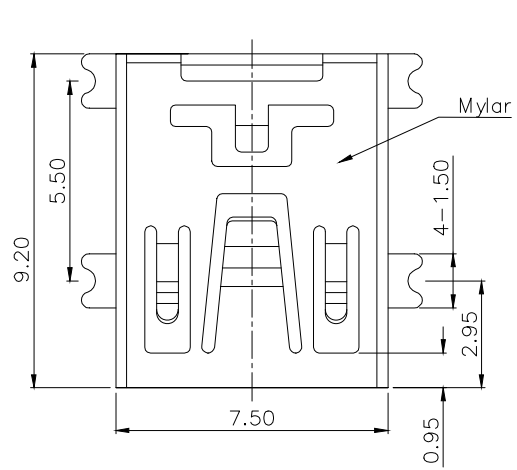


RoHS Compliant

REV. A/0	DESCRIPTION NEW	DESIGN CWF	DATE
-------------	--------------------	---------------	------



SPECIFICATIONS

- 1.RATING: DC30V 1.0A
- 2.MECHANICAL LIFE: 5,000 CYCLES.
- 3.PACKAGING: 1000PCS/REEL
- 4.Operating force:3-20N

③	Shell	1	Phosphor Bronze	Ni Plated
②	Contact	5	Phosphor Bronze	Ag Plated
①	Housing	1	LCP	Black
ITEM	PART NAME	QTY.	MATERIAL	FINISHING

THESE DRAWINGS AND SPECIFICATIONS ARE THE PROPERTY OF SHENZHEN YUCHENG ELECTRONICS.LTD AND SHALL NOT BE REPRODUCED, COPIED OR USED IN ANY MANNER WITHOUT THE PRIOR WRITTEN CONSENT OF SHENZHEN YUCHENG ELECTRONICS.LTD

APPROVED: WEI JIE
 CHECKED: HONG JIN YUN
 DRAWING: CHEN YA

UCHENG 深圳市裕诚电子有限公司
 ELECTRONICS SHENZHEN YUCHENG ELECTRONICS CO.,LTD

GENERAL TOLERANCES	TITLE:	MINI 5P 90度四脚板上贴片9.2L
30~以上 ±0.30	PART NO:	MINI-92QT
10~30 ±0.25	WEBSITE:	www.ycelectron.com
5~10 ±0.20	REV: A	UNIT: mm SCALE: / SHEET: A4
~ 5 ±0.15		
SHEET: 1 / 1		

Recommended PCB Layout