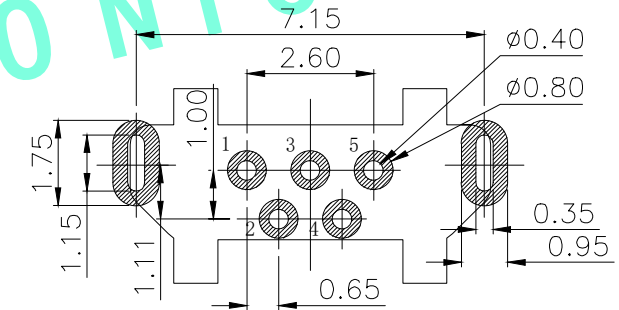
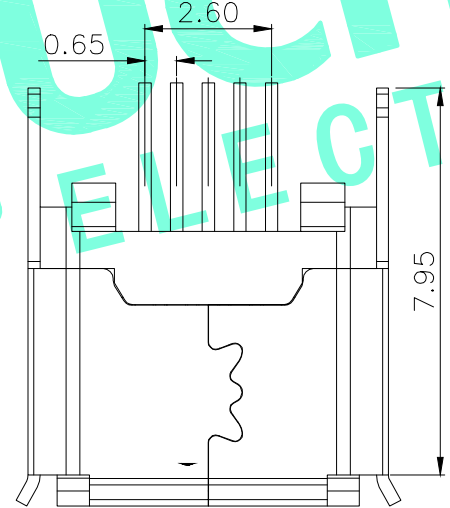
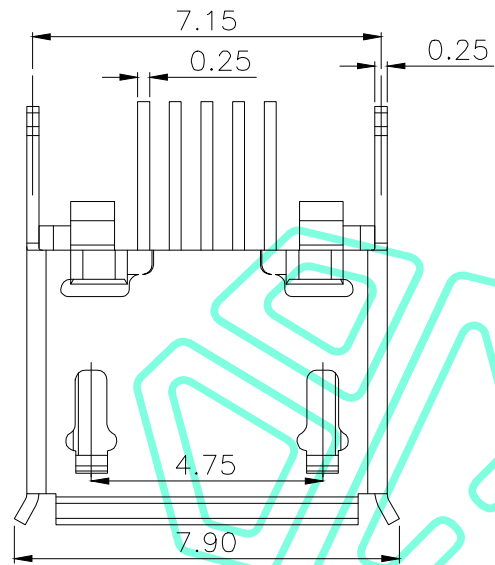
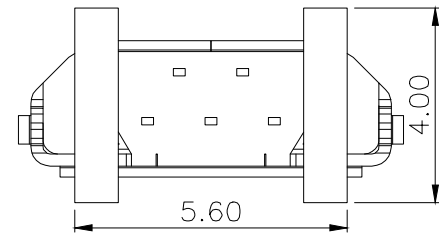
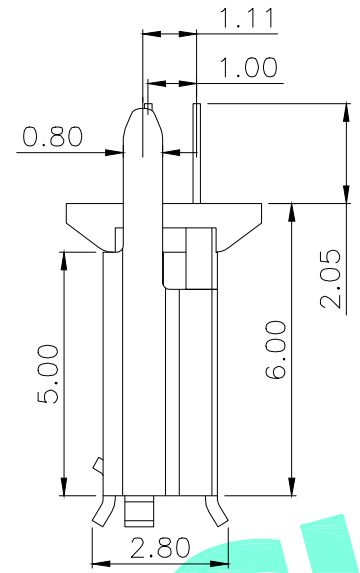
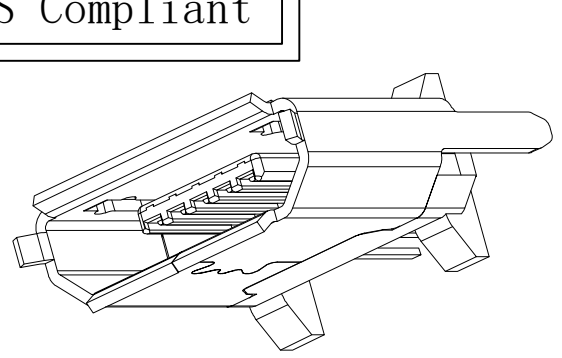


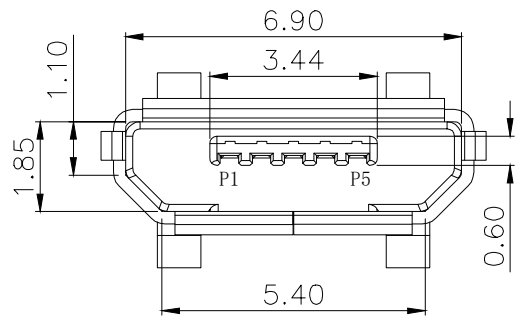
RoHS Compliant

| | | | |
|----------|-----------------|------------|------|
| REV. A/0 | DESCRIPTION NEW | DESIGN CWF | DATE |
|----------|-----------------|------------|------|

- 备注:
- 产品规格:
 - 插入力: 35N MAX.
 - 拔出力: 10N MIN. INITIAL 8-20N AFTER
 - 额定电流: 1.0A
 - 额定电压: 30V
 - 耐久性: 10000 CYCLES MIN.
 - 耐电压: 100V AC MIN.
 - 接触阻抗: 30mΩ MAX. INITIAL; 40mΩ MAX AFTER
 - 绝缘电阻: 100MΩ MIN
 - 工作温度: -30° TO +80°
 - 材质:
 - 胶芯: LCP UL94V-0
 - 端子: C2680R-H, 镍底, 镀金1μ"
 - 外壳: SUS201/301, 表面镀雾锡/镀镍
 - 重点尺寸标识"▲"符号



Recommended PCB Layout



THESE DRAWINGS AND SPECIFICATIONS ARE THE PROPERTY OF SHENZHEN YUCHENG ELECTRONICS, LTD. AND SHALL NOT BE REPRODUCED, COPIED OR USED IN ANY MANNER WITHOUT THE PRIOR WRITTEN CONSENT OF SHENZHEN YUCHENG ELECTRONICS, LTD.



深圳市裕诚电子有限公司
SHENZHEN YUCHENG ELECTRONICS CO., LTD

| | |
|-----------|--------------|
| APPROVED: | WEI JIE |
| CHECKED: | HONG JIN YUN |
| DRAWING: | CHEN YA |

| | | |
|--------------------|--------------|----------------------------|
| GENERAL TOLERANCES | TITLE: | Micro 5P 180度直插加高H=6.6MM卷边 |
| 30~以上 ±0.30 | PART NO: | MICRO-JG66 |
| 10~30 ±0.25 | WEBSITE: | www.ycelectron.com |
| 5~10 ±0.20 | REV: A | UNIT: mm |
| ~ 5 ±0.15 | SHEET: 1 / 1 | SCALE: / |
| | | SHEET: A4 |

