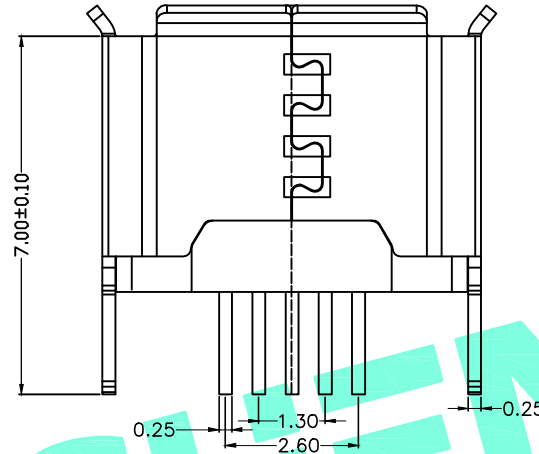
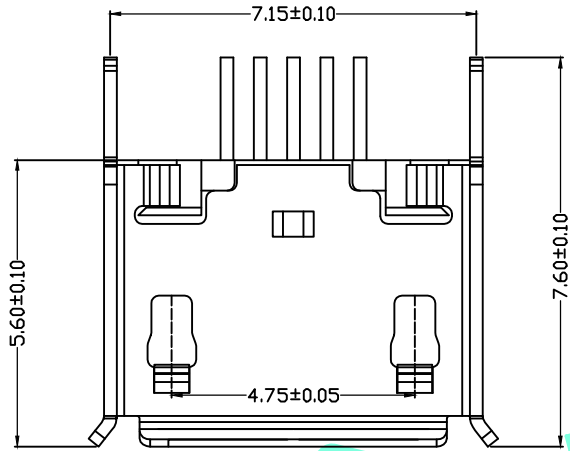
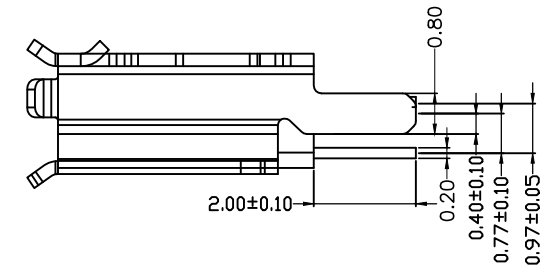
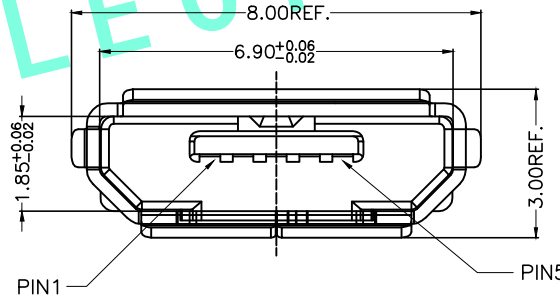
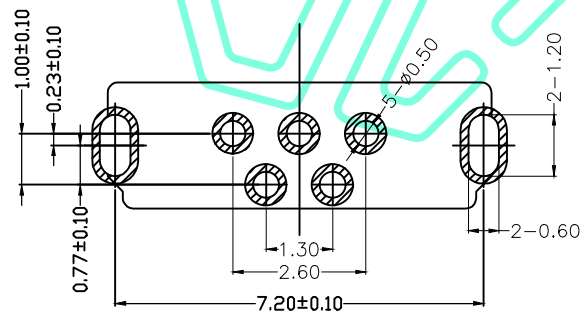


RoHS Compliant

REV. A/0	DESCRIPTION NEW	DESIGN CWF	DATE
-------------	--------------------	---------------	------



- 备注:
- 产品规格:
    - 插入力: 35N MAX.
    - 拔出力: 10N MIN. INITIAL 8-20N AFTER
    - 额定电流: 1.0A
    - 额定电压: 30V
    - 耐久性: 10000 CYCLES MIN.
    - 耐电压: 100V AC MIN.
    - 接触阻抗: 30mΩ MAX. INITIAL; 40mΩ MAX AFTER
    - 绝缘电阻: 100MΩ MIN
    - 工作温度: -30° TO +80°
  - 材质:
    - 胶芯: LCP UL94V-0
    - 端子: C2680R-H, 镍底, 镀金1μ"
    - 外壳: SUS201/301, 表面镀雾锡/镀镍
  - 重点尺寸标识"▲"符号



RECOMMENDED PCB LAYOUT

THESE DRAWINGS AND SPECIFICATIONS ARE THE PROPERTY OF SHENZHEN YUCHENG ELECTRONICS, LTD AND SHALL NOT BE REPRODUCED, COPIED OR USED IN ANY MANNER WITHOUT THE PRIOR WRITTEN CONSENT OF SHENZHEN YUCHENG ELECTRONICS, LTD

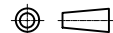


深圳市裕诚电子有限公司  
SHENZHEN YUCHENG ELECTRONICS CO.,LTD

APPROVED: WEI JIE  
CHECKED: HONG JIN YUN  
DRAWING: CHEN YA

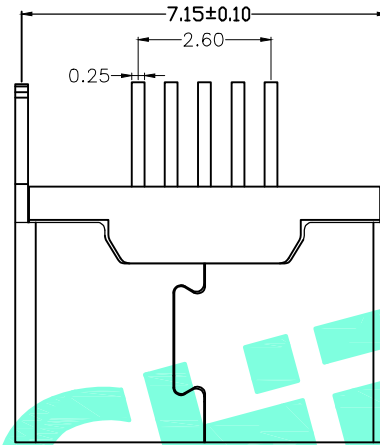
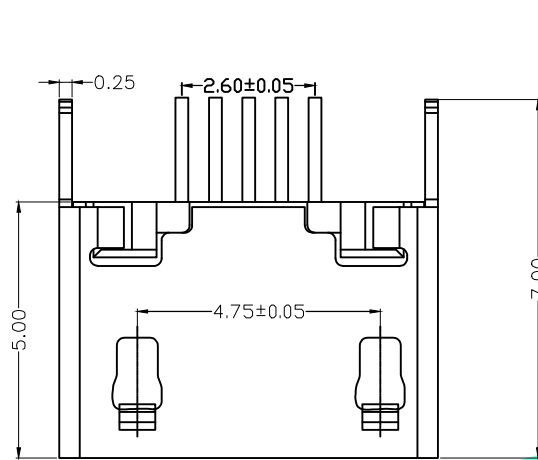
GENERAL TOLERANCES	
30~以上	±0.30
10~30	±0.25
5~10	±0.20
~ 5	±0.15
SHEET:	1 / 1

TITLE:	MICRO 5P 180度直插DIP 2.0卷边		
PART NO:	MICRO-LC50-J		
WEBSITE:	www.ycelectron.com		
REV: A	UNIT: mm	SCALE: /	SHEET: A4



RoHS Compliant

REV. A/0	DESCRIPTION NEW	DESIGN CWF	DATE
-------------	--------------------	---------------	------



备注:

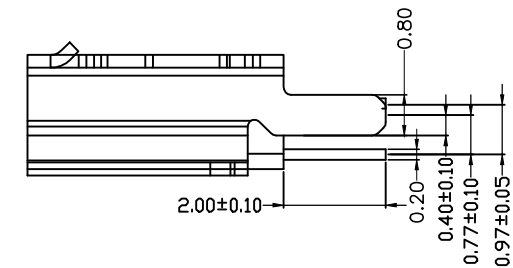
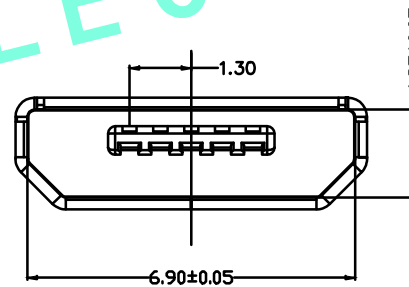
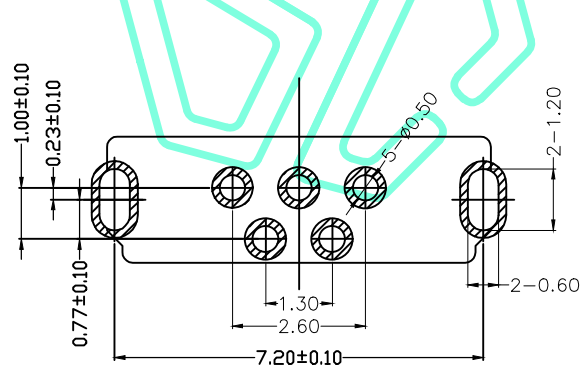
1. 产品规格:

- 1-1. 插入力: 35N MAX.
- 1-2. 拔出力: 10N MIN. INITIAL 8-20N AFTER
- 1-3. 额定电流: 1.0A
- 1-4. 额定电压: 30V
- 1-5. 耐久性: 10000 CYCLES MIN.
- 1-6. 耐电压: 100V AC MIN.
- 1-7. 接触阻抗: 30mΩ MAX. INITIAL; 40mΩ MAX AFTER
- 1-8. 绝缘电阻: 100MΩ MIN
- 1-9. 工作温度: -30° TO +80°

2. 材质:

- 2.1 胶芯: LCP UL94V-0
- 2.2 端子: C2680R-H, 镍底, 镀金 1μ"
- 2.3 外壳: SUS201/301, 表面镀雾锡/镀镍

3. 重点尺寸标识"▲"符号



RECOMMENDED PCB LAYOUT

THESE DRAWINGS AND SPECIFICATIONS ARE THE PROPERTY OF SHENZHEN YUCHENG ELECTRONICS, LTD AND SHALL NOT BE REPRODUCED, COPIED OR USED IN ANY MANNER WITHOUT THE PRIOR WRITTEN CONSENT OF SHENZHEN YUCHENG ELECTRONICS, LTD



深圳市裕诚电子有限公司  
SHENZHEN YUCHENG ELECTRONICS CO.,LTD

APPROVED:	WEI JIE
CHECKED:	HONG JIN YUN
DRAWING:	CHEN YA

GENERAL TOLERANCES	TITLE:	MICRO 5P 180度直插DIP 2.0直边
30~以上 ±0.30	PART NO:	MICRO-LC50-Z
10~30 ±0.25	WEBSITE:	www.ycelectron.com
5~10 ±0.20	REV: A	UNIT: mm
~ 5 ±0.15	SHEET: 1 / 1	SCALE: /
		SHEET: A4

