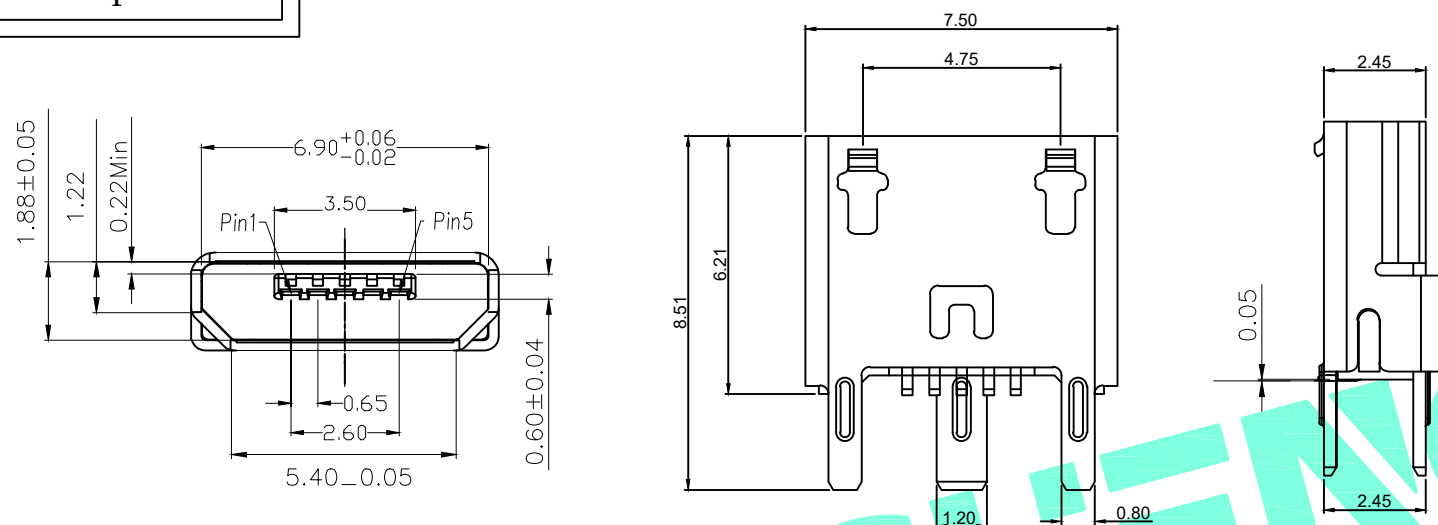
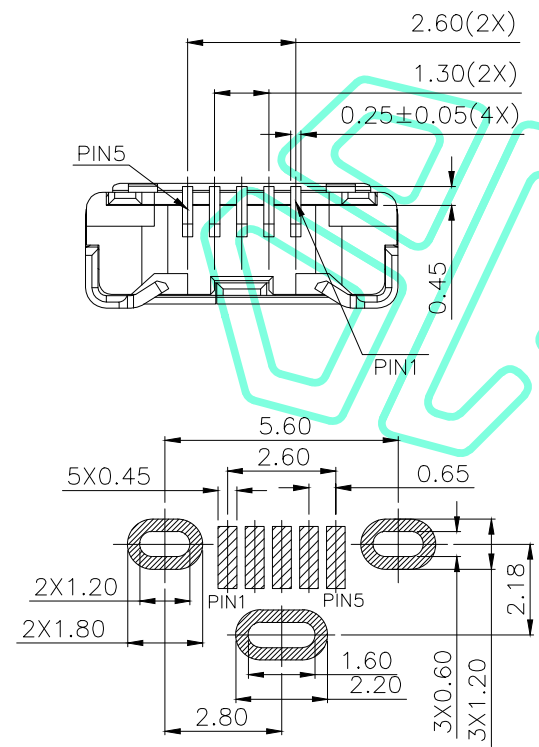


RoHS Compliant

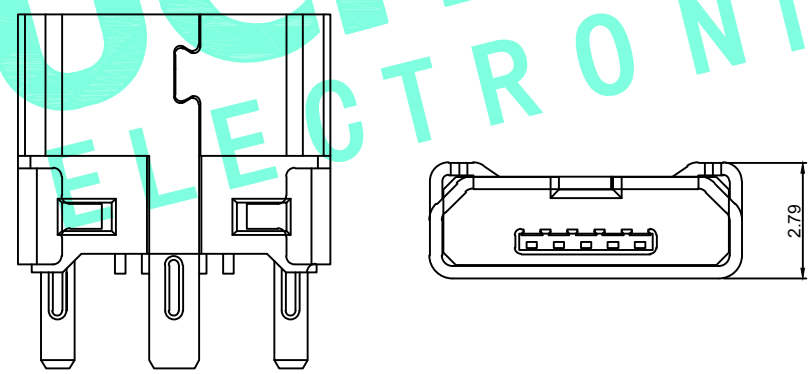
REV. A/0	DESCRIPTION NEW	DESIGN CWF	DATE
----------	-----------------	------------	------



- 规格说明 (Specifications):
- 1.0 电气特性 (Electrical):
 - 1.1 额定电流 (Current Rating): 1A Max
 - 1.2 额定电压 (Voltage rating): 100V (AC) for 1 min.
 - 1.3 接触阻抗 (Contact resistance): 50mΩ Max
 - 1.4 绝缘电阻 (Insulation resistance): 100MΩ Min.
 - 2.0 物理性能 (Mechanical):
 - 2.1 插拔力 (Connector Mate And Unmate Force):
Total mating force: 3.57 Kgf Max
Total unmating force: 1.0 Kgf Min.
0.81~2.05 Kgf Min. aft
 - 2.2 插拔寿命 (Plug in life): 10000 insertion/extraction cycles
 - 2.3 温度范围 (Temperature range): -30°C~+80°C
 - 2.4 焊接温度: (soldering temperature): 温度 260±5°C, 时间 3±0.5 秒
 - 3.0 原材料 (Material):
 - 3.1 胶芯 (Housing):
Hing Temperature Thermoplastics
UL 94V-0 LCP White/Black
 - 3.2 端子 (Contact):
Copper Alloy C2680-H 镍底, 镀金 1μm
 - 3.3 外壳 (Shell):
Copper/Ferro Alloy C2680/SUS
 - 4.0 最小包装: 编带 500PCS/盘



RECOMMENDED PCB LAYOUT(TOP VIEW)
DEFAULT TOLERANCE: ±0.05



5	GND
4	ID
3	D+
2	D-
1	VBUS
PIN	NAME

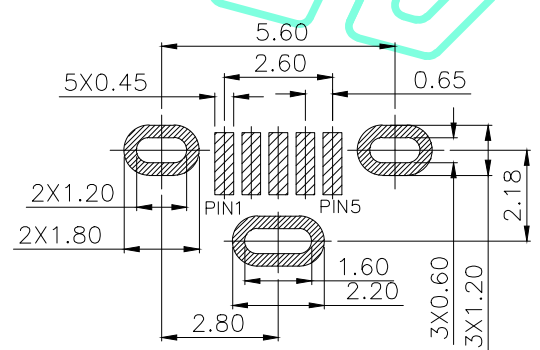
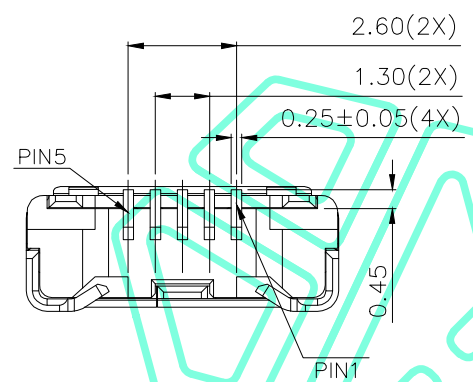
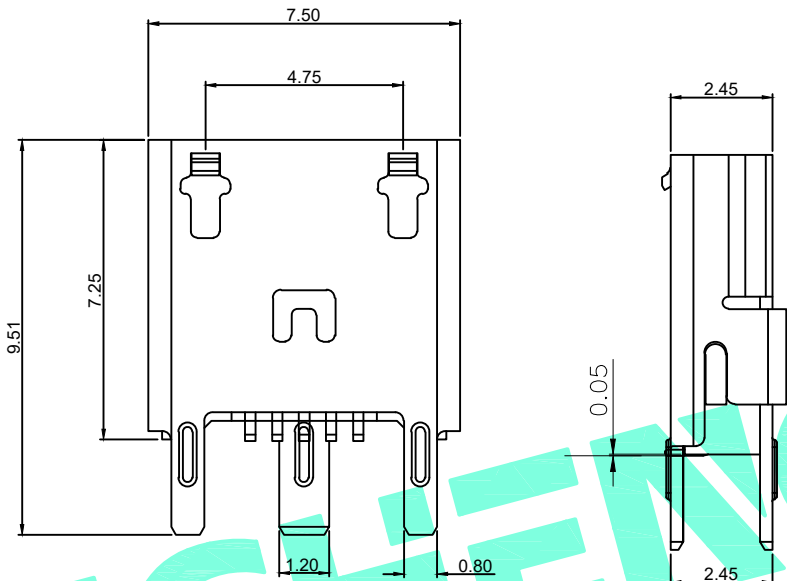
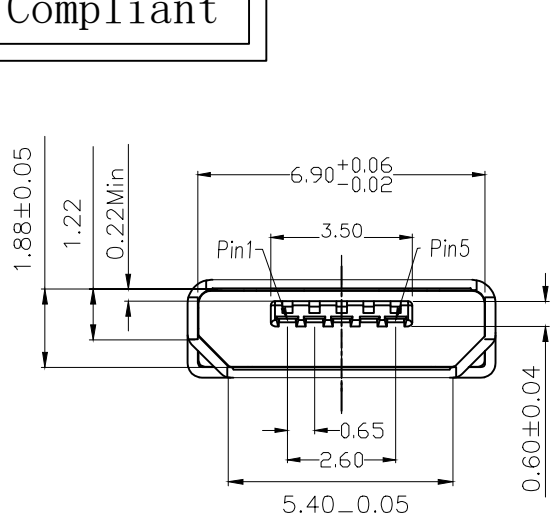
THESE DRAWINGS AND SPECIFICATIONS ARE THE PROPERTY OF SHENZHEN YUCHENG ELECTRONICS.LTD AND SHALL NOT BE REPRODUCED,COPIED OR USED IN ANY MANNER WITHOUT THE PRIOR WRITTEN CONSENT OF SHENZHEN YUCHENG ELECTRONICS.LTD

UCHENG ELECTRONICS 深圳市裕诚电子有限公司
SHENZHEN YUCHENG ELECTRONICS CO.,LTD

APPROVED:	WEI JIE	GENERAL TOLERANCES	TITLE:	Micro5P 180度立式贴片SMT直边
CHECKED:	HONG JIN YUN	30~以上 ±0.30	PART NO:	MICRO-C62T-6.2
DRAWING:	CHEN YA	10~30 ±0.25	WEBSITE:	www.ycelectron.com
		5~10 ±0.20	REV: A	UNIT: mm SCALE: / SHEET: A4
		~ 5 ±0.15		
		SHEET: 1 / 1		

RoHS Compliant

REV. A/0	DESCRIPTION NEW	DESIGN CWF	DATE
----------	-----------------	------------	------



RECOMMENDED PCB LAYOUT(TOP VIEW)
DEFAULT TOLERANCE:±0.05

5	GND
4	ID
3	D+
2	D-
1	VBUS
PIN	NAME

- 规格说明 (Specifications):
- 1.0 电气特性 (Electrical):
- 1.1 额定电流 (Current Rating): 1A Max
 - 1.2 额定电压 (Voltage rating): 100V (AC) for 1 min.
 - 1.3 接触阻抗 (Contact resistance): 50mΩ Max
 - 1.4 绝缘电阻 (Insulation resistance): 100MΩ Min.
- 2.0 物理性能 (Mechanical):
- 2.1 插拔力 (Connector Mate And Unmate Force):
Total mating force: 3.57 Kgf Max
Total unmating force: 1.0 Kgf Min.
0.81~2.05 Kgf Min. aft
 - 2.2 插拔寿命 (Plug in life): 10000 insertion/extraction cycles
 - 2.3 温度范围 (Temperature range): -30°C~+80°C
 - 2.4 焊接温度: (soldering temperature): 温度 260±5°C, 时间 3±0.5 秒
- 3.0 原材料 (Material):
- 3.1 胶芯 (Housing):
Hing Temperature Thermoplastics
UL 94V-0 LCP White/Black
 - 3.2 端子 (Contact):
Copper Alloy C2680-H 镍底, 镀金1μ"
 - 3.3 外壳 (Shell):
Copper/Ferro Alloy C2680/SUS
- 4.0 最小包装: 编带 400PCS/盘

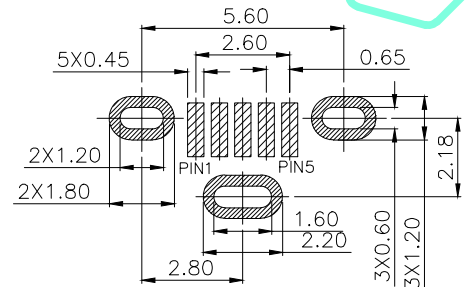
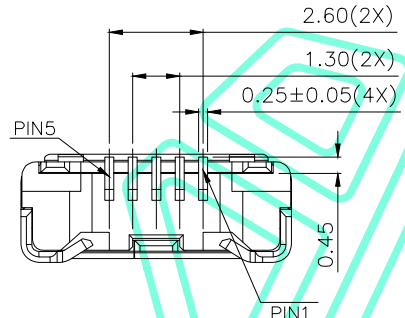
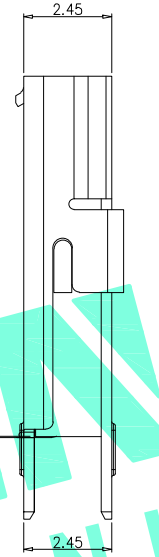
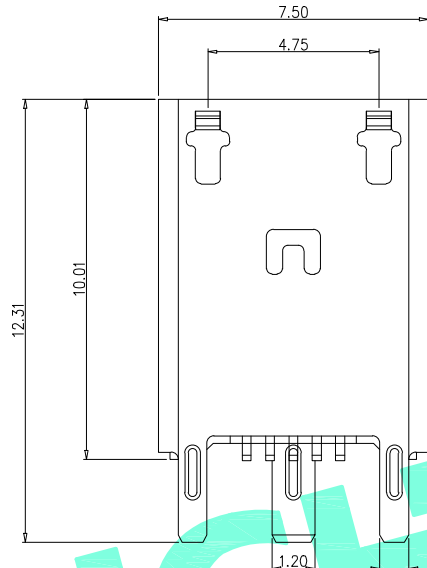
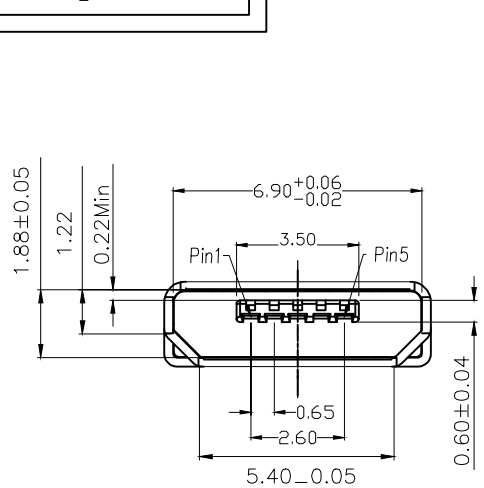
THESE DRAWINGS AND SPECIFICATIONS ARE THE PROPERTY OF SHENZHEN YUCHENG ELECTRONICS, LTD. AND SHALL NOT BE REPRODUCED, COPIED OR USED IN ANY MANNER WITHOUT THE PRIOR WRITTEN CONSENT OF SHENZHEN YUCHENG ELECTRONICS, LTD.

UCHENG ELECTRONICS 深圳市裕诚电子有限公司
SHENZHEN YUCHENG ELECTRONICS CO.,LTD

APPROVED:	WEI JIE	GENERAL TOLERANCES	TITLE:	Micro5P 180度立式贴片SMT直边
CHECKED:	HONG JIN YUN	30~以上 ±0.30	PART NO.:	MICRO-C62T-7.2
DRAWING:	CHEN YA	10~30 ±0.25	WEBSITE:	www.ycelectron.com
		5~10 ±0.20	REV: A	UNIT: mm
		~ 5 ±0.15	SCALE: /	SHEET: A4
		SHEET: 1 / 1		

RoHS Compliant

REV. A/0	DESCRIPTION NEW	DESIGN CWF	DATE
----------	-----------------	------------	------



RECOMMENDED PCB LAYOUT(TOP VIEW)
DEFAULT TOLERANCE:±0.05

5	GND
4	ID
3	D+
2	D-
1	VBUS
PIN	NAME

THESE DRAWINGS AND SPECIFICATIONS ARE THE PROPERTY OF SHENZHEN YUCHENG ELECTRONICS, LTD AND SHALL NOT BE REPRODUCED, COPIED OR USED IN ANY MANNER WITHOUT THE PRIOR WRITTEN CONSENT OF SHENZHEN YUCHENG ELECTRONICS, LTD



深圳市裕诚电子有限公司
SHENZHEN YUCHENG ELECTRONICS CO.,LTD

APPROVED:	WEI JIE
CHECKED:	HONG JIN YUN
DRAWING:	CHEN YA

GENERAL TOLERANCES		TITLE: Micro5P 180度立式贴片SMT直边	
30~以上	±0.30	PART NO: MICRO-C62T-10.0	
10~30	±0.25	WEBSITE: www.ycelectron.com	
5~10	±0.20	REV: A	
~ 5	±0.15	UNIT: mm	SCALE: /
SHEET: 1 / 1		SHEET: A4	

- 规格说明 (Specifications):
- 1.0 电气特性 (Electrical):
 - 1.1 额定电流 (Current Rating): 1A Max
 - 1.2 额定电压 (Voltage rating): 100V (AC) for 1 min.
 - 1.3 接触阻抗 (Contact resistance): 50mΩ Max
 - 1.4 绝缘电阻 (Insulation resistance): 100MΩ Min.
 - 2.0 物理性能 (Mechanical):
 - 2.1 插拔力 (Connector Mate And Unmate Force):
Total mating force: 3.57 Kgf Max
Total unmating force: 1.0 Kgf Min.
0.81~2.05 Kgf Min. aft
 - 2.2 插拔寿命 (Plug in life): 10000 insertion/extraction cycles
 - 2.3 温度范围 (Temperature range): -30°C~+80°C
 - 2.4 焊接温度: (soldering temperature):
温度 260±5°C, 时间 3±0.5 秒
 - 3.0 原材料 (Material):
 - 3.1 胶芯 (Housing):
Hing Temperature Thermoplastics
UL 94V-0 LCP White/Black
 - 3.2 端子 (Contact):
Copper Alloy C2680-H 镍底, 镀金1μ"
 - 3.3 外壳 (Shell):
Copper/Ferro Alloy C2680/SUS
 - 4.0 最小包装: 编带 400PCS/盘

