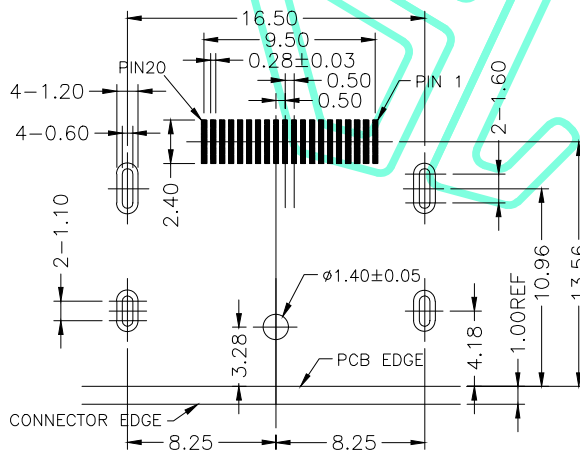
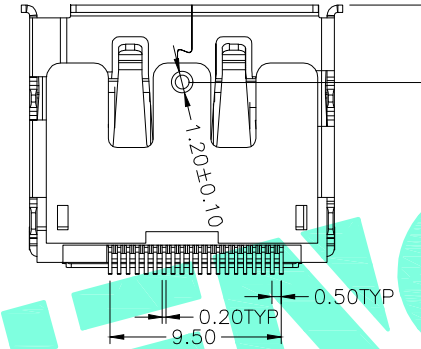
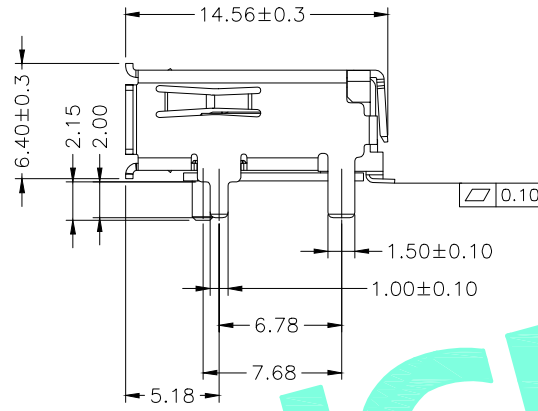
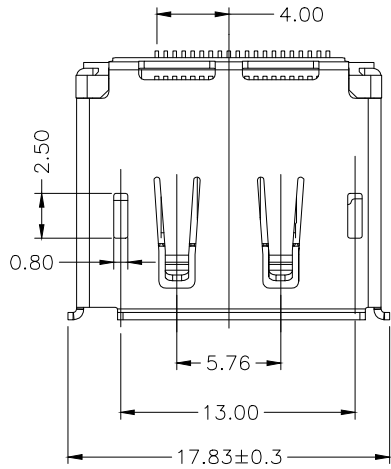
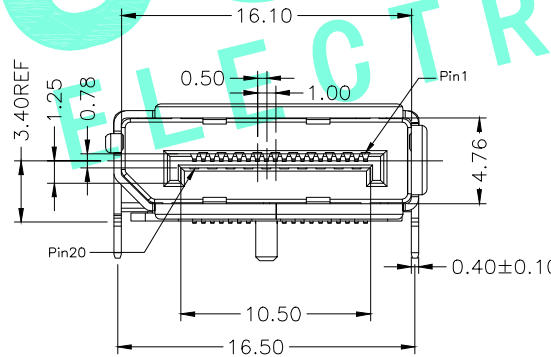


RoHS Compliant

REV.	DESCRIPTION	DESIGN	DATE
A/0	NEW	CFW	



RECOMMENDED P.C.B LAYOUT(PCB THICKNESS: 1.6mm)
COMPONENT SIDE VIEW(TOLERANCE: ±0.05)



NOTE:

1. MECHANICAL CHARACTERISTICS

- 1.1 RATING CURRENT: 0.5A
- 1.2 RATING VOLTAGE: 40V
- 1.3 CONTACT RESISTANCE: 40 mΩ MAX
- 1.4 INSULATION RESISTANCE:
 - a, UNMATED: 100MΩ MIN AT 500V AC
 - b, MATED: 10M OHMS MIN AT 150V AC
- 1.5 DIELECTRIC WITHSTANDING VOLTAGE: 500V AC/1MINUTE
- 1.6 DURABILITY: 10000 CYCLES.
- 1.7 OPERATING TEMPERATURE: -20°C-- +85°C
- 1.8 STORAGE TEMPERATURE: -20°C-- +65°C

2. NOTES:

- 2.1 ALL COMPONENTS ARE RoHS COMPLIANT.
- 2.2 RESISTANCE TO SOLDERING HEAT: 250±5°C FOR 5 SECONDS.

THESE DRAWINGS AND SPECIFICATIONS ARE THE PROPERTY OF SHENZHEN YUCHENG ELECTRONICS, LTD AND SHALL NOT BE REPRODUCED, COPIED OR USED IN ANY MANNER WITHOUT THE PRIOR WRITTEN CONSENT OF SHENZHEN YUCHENG ELECTRONICS, LTD



深圳市裕诚电子有限公司
SHENZHEN YUCHENG ELECTRONICS CO.,LTD

APPROVED:	WEI JIE	GENERAL TOLERANCES	TITLE:	Display port20P四脚插板DIP+SMT卷边14. 50L
CHECKED:	HONG JIN YUN	30~以上 ±0.30	PART NO:	MICRO-C145
DRAWING:	CHEN YA	10~30 ±0.25	WEBSITE:	www.ycelectron.com
		5~10 ±0.20	REV: A	UNIT: mm SCALE: / SHEET: A4
		~ 5 ±0.15		
		SHEET: 1 / 1		

