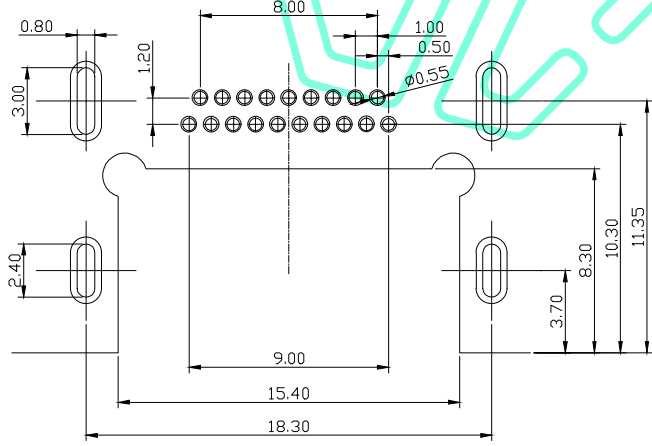
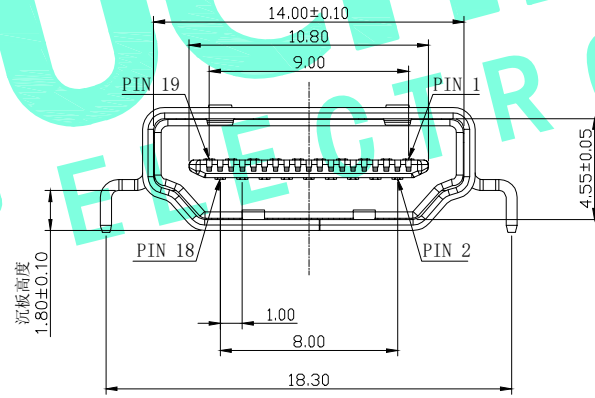
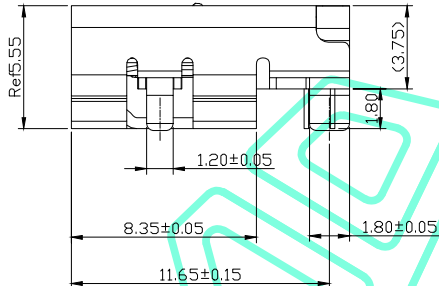
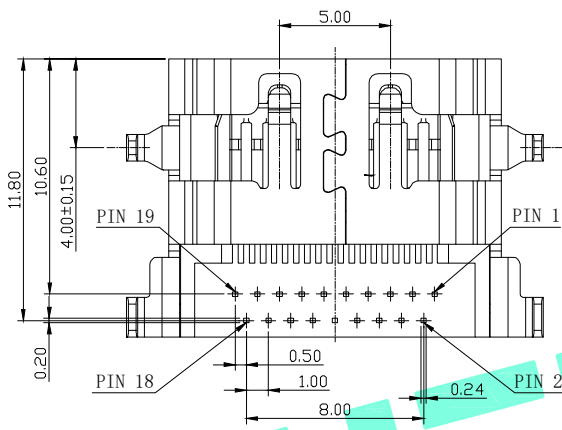
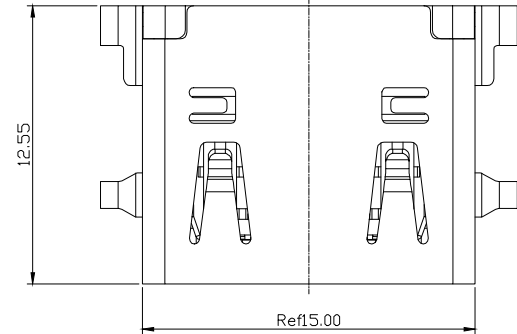


RoHS Compliant

REV. A/0	DESCRIPTION NEW	DESIGN CWF	DATE
----------	-----------------	------------	------

Type A pin	Signal Name
1	TMDS Data2+
2	TMDS Data2 Shield
3	TMDS Data2-
4	TMDS Data1+
5	TMDS Data1 Shield
6	TMDS Data1-
7	TMDS Data0+
8	TMDS Data0 Shield
9	TMDS Data0-
10	TMDS Clock+
11	TMDS Clock Shield
12	TMDS Clock-
13	CEC
14	Utility
15	SCL
16	SDA
17	DDC/CEC Ground
18	+5V Power
19	Hot Plug Detect



NOTES:
 1.MATERIAL:
 HOUSING:Thermoplastic (UL94V-0); BLACK
 CONTACT: Copper alloy.Gold plated on contact area.
 SHELL: Copper alloy,Nickel plated overall.
 2.Rating:
 Insulation Resistance(EIA-364-21) :100 MΩ MIN.
 AT 500V/DC FOR 1 MINUTE.
 Contact resistance (EIA-364-06) 30 mΩ MAX.
 Dielectric withstanding (EIA-364-20) NO DISCHARGE,
 FLASHOVER OR BREAKDOWN
 AT 500 V/AC 1MINUTE.

RECOMMEND P.C.B LAYOUT(COMPONENT SIDE)
 TOLERANCE FOR PCB LAYOUT IS ± 0.05

THESE DRAWINGS AND SPECIFICATIONS ARE THE PROPERTY OF SHENZHEN YUCHENG ELECTRONICS .LTD AND SHALL NOT BE REPRODUCED, COPIED OR USED IN ANY MANNER WITHOUT THE PRIOR WRITTEN CONSENT OF SHENZHEN YUCHENG ELECTRONICS .LTD

APPROVED: WEI JIE
 CHECKED: HONG JIN YUN
 DRAWING: CHEN YA

UCHENG® 深圳市裕诚电子有限公司
 ELECTRONICS SHENZHEN YUCHENG ELECTRONICS CO.,LTD

GENERAL TOLERANCES	TITLE: HDMIAType19P-F沉板3.75mm四脚插板12.55L
30~以上 ±0.30	PART NO: HDMI-C125
10~30 ±0.25	
5~10 ±0.20	WEBSITE: www.ycelectron.com
~ 5 ±0.15	
SHEET: 1 / 1	REV: A UNIT: mm SCALE: / SHEET: A4