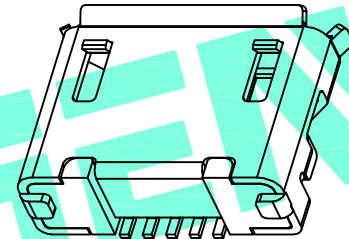
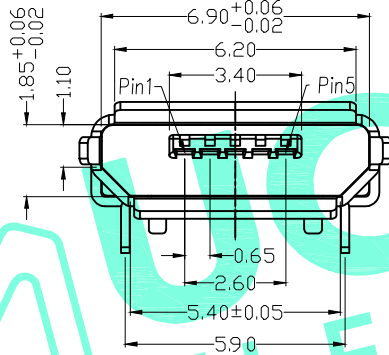
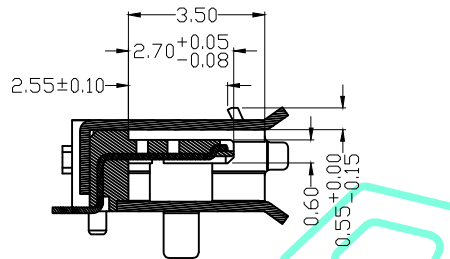
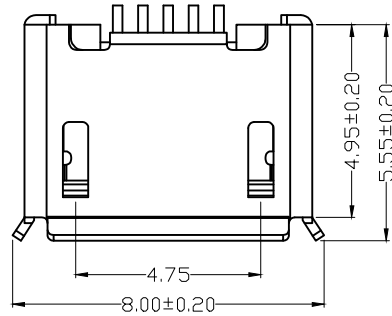
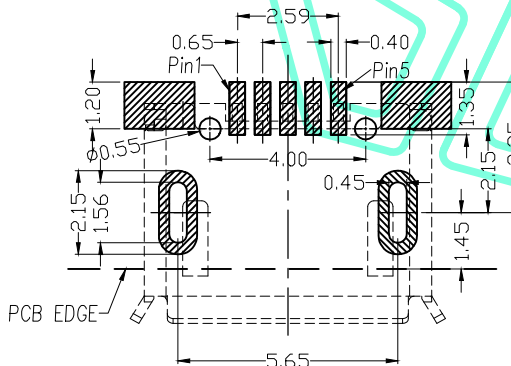


RoHS Compliant

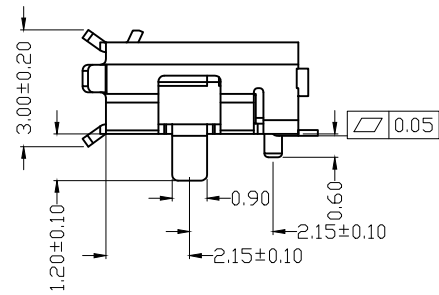
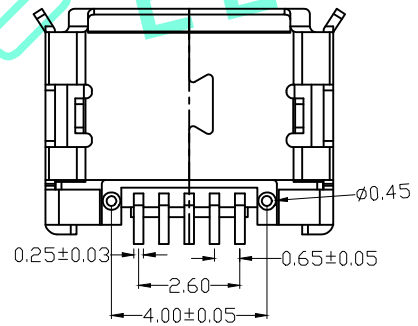
REV. A/0	DESCRIPTION NEW	DESIGN CWF	DATE
-------------	--------------------	---------------	------



- 规格说明 (Specifications):
- 0 电气特性 (Electrical):
    - 1 额定电流 (Current Rating): 1.5A/Contact Terminal
    - 2 额定电压 (Voltage Rating): 30V DC
    - 3 接触限抗 (Contact Resistance): 30 Milliohms Max
    - 4 耐电压 (Dielectric Withstanding Voltage): 500 V AC AT Sea Level
    - 5 绝缘阻抗 (Insulation Resistance): 1000MEGA Ohms Min
  - 0 物理性能 (Mechanical):
    - 1 插拔力 (Connector Mate And Unmate Force): Mating Force: 3.57kgf (Max) Unmating Force: 1.02kgf (Min)
    - 2 端子保持力 (Terminal Retention): 1.2kgf (Min)
    - 3 0 原材料 (Material):
      - 1 塑胶 (Housing): High Temperature Thermoplastics UL 94V-0 LCP White/Black
      - 2 端子 (Contact): Copper Alloy C2680 T=0.15MM
      - 3 外壳 (Shell): Copper/Ferro Alloy C2680/SUS T=0.25MM
      - 4 0 电镀 (Finish):
        - 1 端子 (Contact): Plated Gold in Mating Area Sn>100u" Ni>40u" Au=1U"/3U" /5U" /..
        - 2 外壳 (Shell): Nickel Plating 12H(Cu>80U" Ni>60U") 24H(Cu>100U" Ni>80U") 48H(Cu>120U" Ni>100U") Sn>100u"
    - 5.0 Dimension marked must be controlled in QIP.



RECOMMENDED PCB LAYOUT



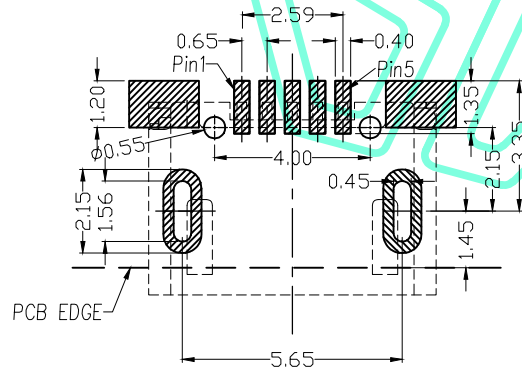
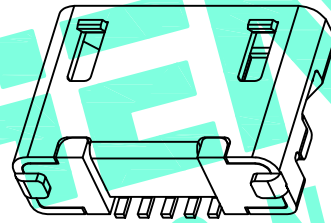
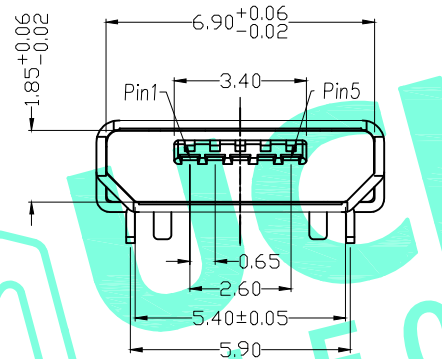
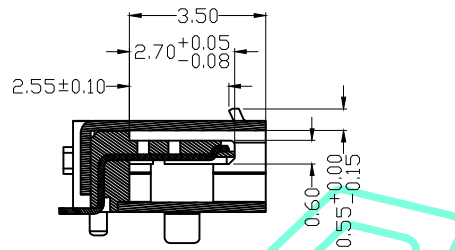
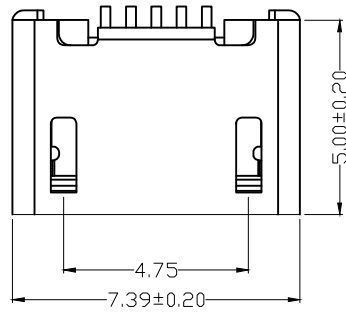
THESE DRAWINGS AND SPECIFICATIONS ARE THE PROPERTY OF SHENZHEN YUCHENG ELECTRONICS, LTD. AND SHALL NOT BE REPRODUCED, COPIED OR USED IN ANY MANNER WITHOUT THE PRIOR WRITTEN CONSENT OF SHENZHEN YUCHENG ELECTRONICS, LTD.

**YUCHENG ELECTRONICS** 深圳市裕诚电子有限公司  
SHENZHEN YUCHENG ELECTRONICS CO., LTD

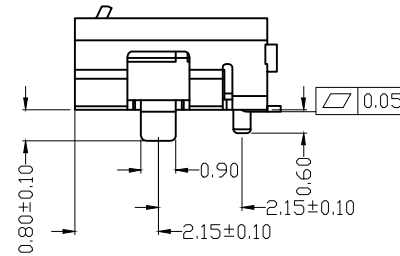
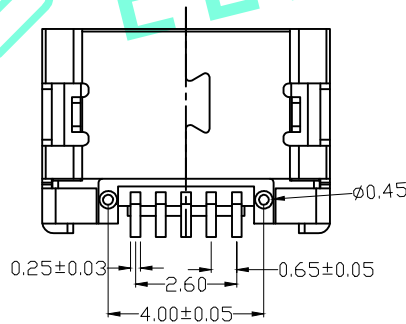
APPROVED:	WEI JIE	GENERAL TOLERANCES	30~以上 ±0.30	TITLE:	Micro 5P BF 插板5.9mm两脚DIP卷边
CHECKED:	HONG JIN YUN	10~30 ±0.25	5~10 ±0.20	PART NO:	MICRO-C59T-J
DRAWING:	CHEN YA	~ 5 ±0.15	SHEET: 1 / 1	WEBSITE:	www.ycelectron.com
				REV: A	UNIT: mm SCALE: / SHEET: A4

RoHS Compliant

REV.	DESCRIPTION	DESIGN	DATE
A/0	NEW	CWF	



RECOMMENDED PCB LAYOUT



- 规格说明 (Specifications):
- 0 电气特性 (Electrical):
    - 1 额定电流 (Current Rating): 1.5A/Contact Terminal
    - 2 额定电压 (Voltage Rating): 30V DC
    - 3 接触阻抗 (Contact Resistance): 30 Milliohms Max
    - 4 耐电压 (Dielectric Withstanding Voltage): 500 V AC AT Sea Level
    - 5 绝缘阻抗 (Insulation Resistance): 1000MEGA Ohms Min
  - 0 物理性能 (Mechanical):
    - 1 插拔力 (Connector Mate And Unmate Force): Mating Force: 3.57kgf (Max) Unmating Force: 1.02kgf (Min)
    - 2 端子保持力 (Terminal Retention): 2kgf (Min)
  - 0 原材料 (Material):
    - 1 塑胶 (Housing): High Temperature Thermoplastics UL 94V-0 LCP White/Black
    - 2 端子 (Contact): Copper Alloy C2680 T=0.15MM
    - 3 外壳 (Shell): Copper/Ferro Alloy C2680/SUS T=0.25MM
  - 0 电镀 (Finish):
    - 1 端子 (Contact): Plated Gold in Mating Area Sn>100u" Ni>40u" Au=1U"/3U" /5U" /..
    - 2 外壳 (Shell): Nickel Plating 12H(Cu>80u" Ni>60u") 24H(Cu>100u" Ni>80u") 48H(Cu>120u" Ni>100u") Sn>100u"
- ...  
5.0 Dimension marked must be controlled in QIP.

THESE DRAWINGS AND SPECIFICATIONS ARE THE PROPERTY OF SHENZHEN YUCHENG ELECTRONICS, LTD. AND SHALL NOT BE REPRODUCED, COPIED OR USED IN ANY MANNER WITHOUT THE PRIOR WRITTEN CONSENT OF SHENZHEN YUCHENG ELECTRONICS, LTD.



深圳市裕诚电子有限公司  
SHENZHEN YUCHENG ELECTRONICS CO., LTD

APPROVED:	WEI JIE
CHECKED:	HONG JIN YUN
DRAWING:	CHEN YA

GENERAL TOLERANCES		TITLE:	Micro 5P BF 插板5.9mm两脚DIP直边
30~以上	±0.30	PART NO:	MICRO-C59T-Z
10~30	±0.25	WEBSITE:	www.ycelectron.com
5~10	±0.20	REV: A	UNIT: mm SCALE: / SHEET: A4
~ 5	±0.15		
SHEET:	1 / 1		

