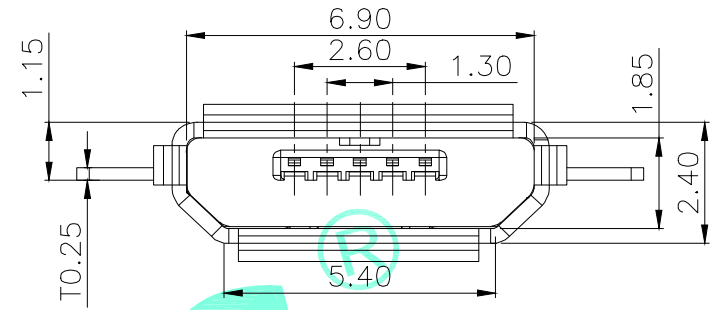
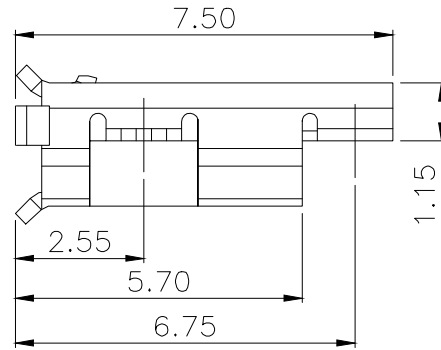
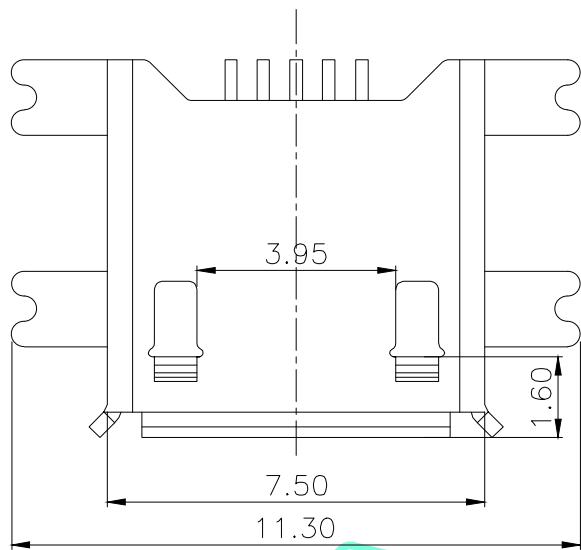


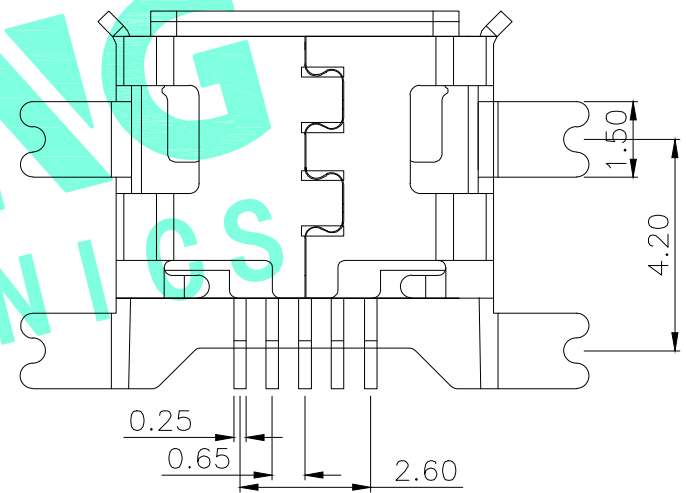
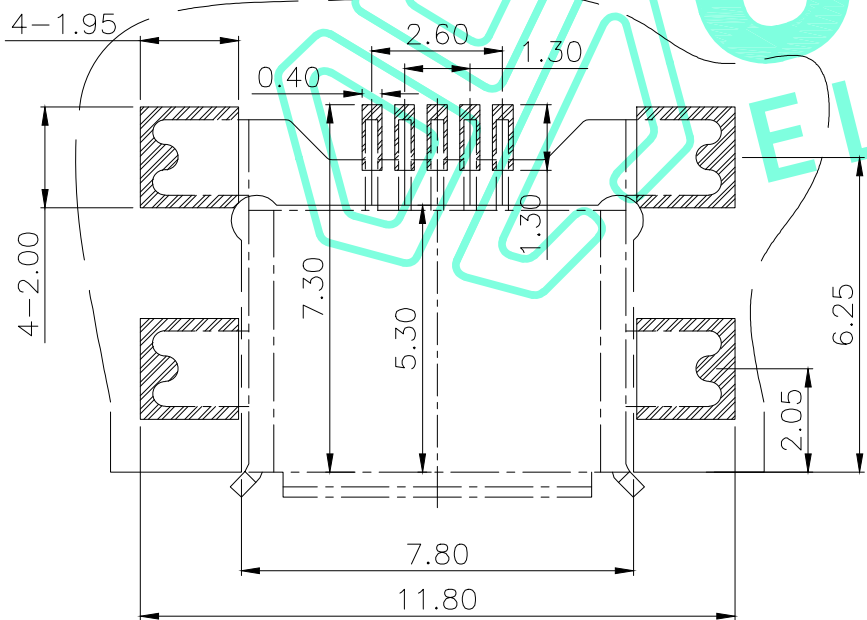
RoHS Compliant

REV. A/0	DESCRIPTION NEW	DESIGN CWF	DATE
----------	-----------------	------------	------



SPECIFICATIONS

- 1.RATING: DC30V 1.0A
- 2.MECHANICAL LIFE: 10,000 CYCLES.
- 3.PACKAGING: 1000PCS/REEL



③	Shell	1	Phosphor Bronze	Ni Plated
②	Contact	5	C2680R-H	Au Plated
①	Housing	1	LCP	Black
ITEM	PART NAME	QTY.	MATERIAL	FINISHING

THESE DRAWINGS AND SPECIFICATIONS ARE THE PROPERTY OF SHENZHEN YUCHENG ELECTRONICS.,LTD.AND SHALL NOT BE REPRODUCED,COPIED OR USED IN ANY MANNER WITHOUT THE PRIOR WRITTEN CONSENT OF SHENZHEN YUCHENG ELECTRONICS.,LTD

APPROVED: WEI JIE
 CHECKED: HONG JIN YUN
 DRAWING: CHEN YA



深圳市裕诚电子有限公司
 SHENZHEN YUCHENG ELECTRONICS CO.,LTD

GENERAL TOLERANCES		TITLE:	Micro5P 沉板1.15mm四脚贴片SMT卷边	
30~以上	±0.30	PART NO:	MICRO-C15J	
10~30	±0.25	WEBSITE:	www.ycelectron.com	
5~10	±0.20	REV: A	UNIT: mm	SCALE: /
~ 5	±0.15	SHEET: 1 / 1	SHEET: A4	

Recommended PCB Layout