

RoHS Compliant

REV.	DESCRIPTION	DESIGN	DATE
A/0	NEW	CFW	

NOTES:

1.MATERIAL:

- 1-1 HOUSING:LCP WITH 30% G/F UL 94V-0 COLOR:BLACK.
- 1-2 CAP:LCP WITH 30% G/F UL 94V-0 COLOR:BLACK.
- 1-3 TERMINAL:COPPER ALLOY T=0.20mm
- 1-4 SHELL:SPCC/COPPER ALLOY T=0.50mm

2.PLATING:

- 2-1 TERMINAL:  
(SEE P/N.)GOLD PLATED ON CONTACT AREA AND 100μ" MIN. MATTE-TIN ON SOLDER TAIL, WITH ENTIRE CONTACT UNDERPLATED 80μ" MIN.NICKEL.
- 2-2 SHELL:50μ" MIN. NICKEL PLATED.

3.MECHANICAL PERFORMANCE

- 3-1 INSERTION FORCE: 4.5kgf MAX  
REMOVAL FORCE: 1kgf MIN; 4.0kgf MAX  
DURABKLITY:5000 CYCLES

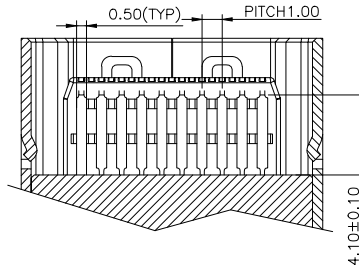
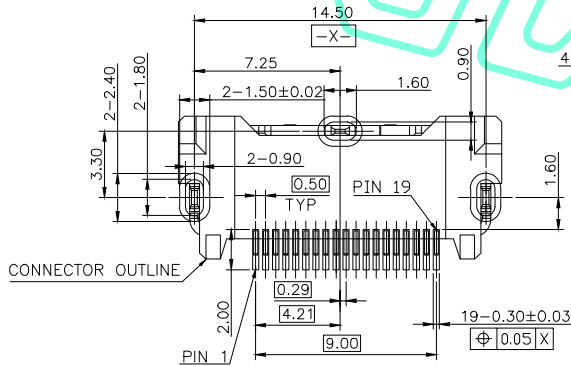
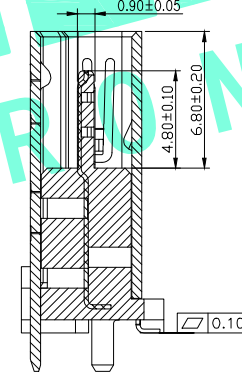
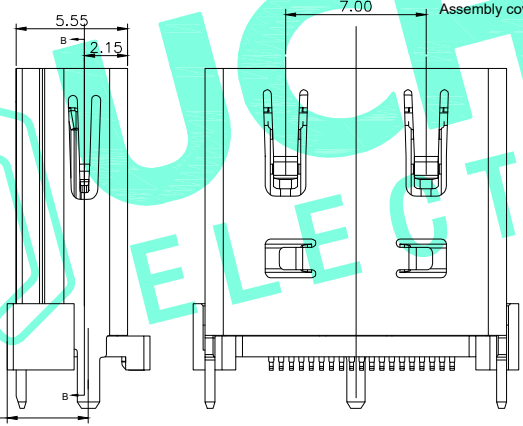
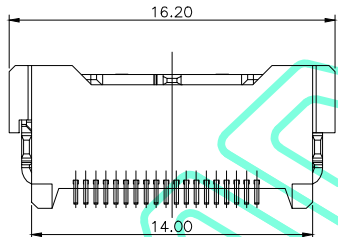
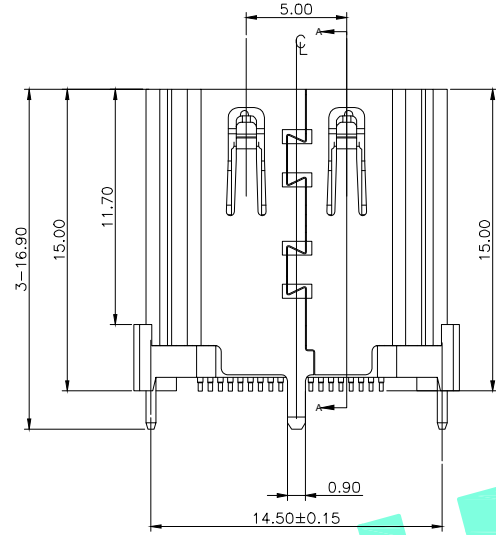
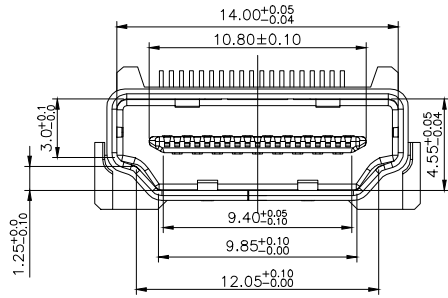
4.ELECTRICAL PERFORMANCE:

- 4-1 Current Rating: 0.5A
- 4-2 Voltage Rating: 40V AC
- 4-3 CONTACT RESISTANC:INITIAL 30mΩ MAX.  
AFTER TEST:Δ10 mΩ MAX
- 4-4 DIELECTRIC STRENGTH:UNMATED CONNECTORS APPLY 500V AC  
MATED CONNECTOR APPLY 300V AC
- 4-5 INSULATION RESISTANCE:100 MEGAOHMS MIN.(UNMATED)  
10 MEGAOHM'S MIN.(MATED)

5.ENVIRONMENTAL PERFORMANCE:

- OPERATING TEMPERATURE: -25°C~+85°C
- SALT SPRAY:24H

PIN	Signal Assignment	PIN	Signal Assignment
1	TMDS Data2+	2	TMDS Data2 Shield
3	TMDS Data2-	4	TMDS Data1+
5	TMDS Data1 Shield	6	TMDS Data1-
7	TMDS Data0+	8	TMDS Data0 Shield
9	TMDS Data0-	10	TMDS Clock+
11	TMDS Clock Shield	12	TMDS Clock-
13	CEC	14	Utility
15	SCL	16	SDA
17	DDC/CEC Ground	18	+5V Power
19	Hot Plug Detect		



RECOMMENDED P.C.B. LAYOUT (T:1.20~1.60mm)  
TOLERANCE UNSPECIFIED ±0.05mm

SECTION:B-B

THESE DRAWINGS AND SPECIFICATIONS ARE THE PROPERTY OF SHENZHEN YUCHENG ELECTRONICS, LTD AND SHALL NOT BE REPRODUCED, COPIED OR USED IN ANY MANNER WITHOUT THE PRIOR WRITTEN CONSENT OF SHENZHEN YUCHENG ELECTRONICS, LTD



深圳市裕诚电子有限公司  
SHENZHEN YUCHENG ELECTRONICS CO.,LTD

APPROVED:	WEI JIE	TITLE:	HDMI A Type19P-F立式贴片15.0H
CHECKED:	HONG JIN YUN	PART NO:	HDMI-L15T
DRAWING:	CHEN YA	WEBSITE:	www.ycelectron.com
GENERAL TOLERANCES		REV: A	UNIT: mm
30~以上	±0.30	SCALE: /	SHEET: A4
10~30	±0.25		
5~10	±0.20		
~ 5	±0.15		
SHEET:	1 / 1		