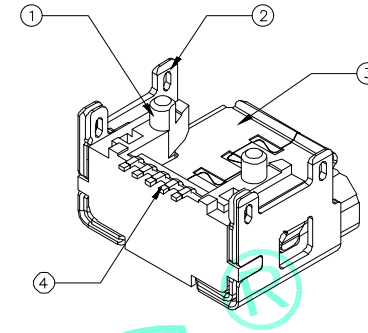
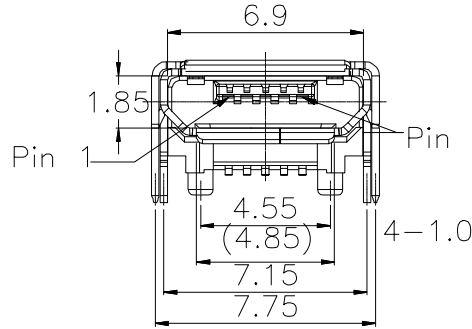
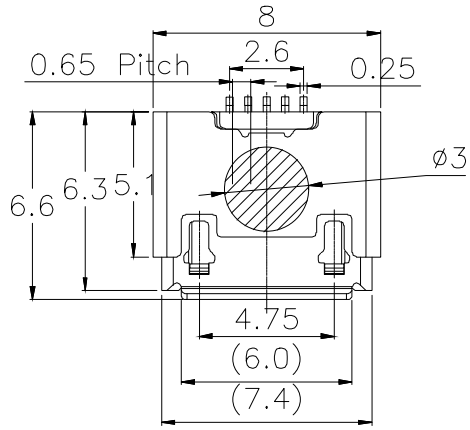


RoHS Compliant

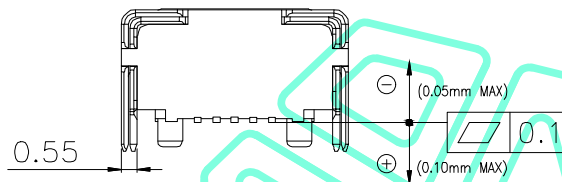
REV. A/0	DESCRIPTION NEW	DESIGN CWF	DATE
----------	-----------------	------------	------



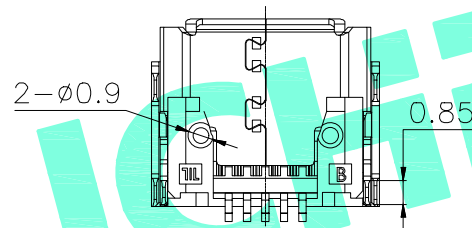
Notes:

Specifications:

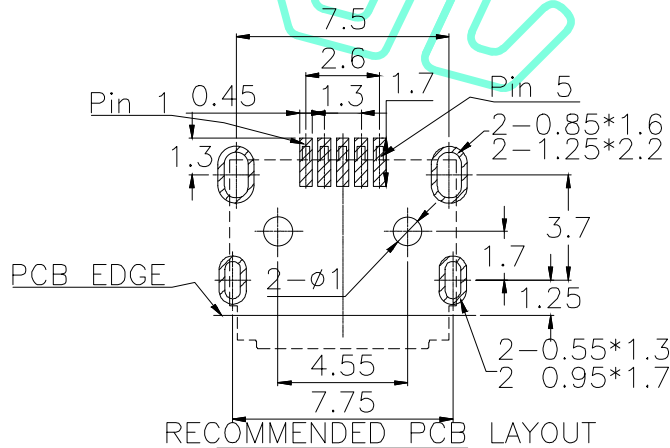
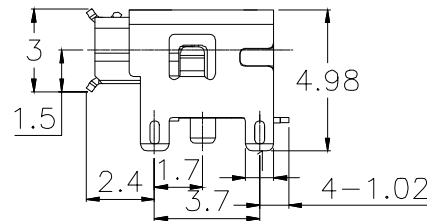
- Current rating: 1 A Max. Dielectric withstanding:voltage: 100V(AC) for 1 min.
- Contact resistance: 50mΩ Max.
- Insulation resistance: 100MΩ Min.
- Total mating force: 3.57 Kg Max.
- Total unmating force: 1.0 Kg Min.0.81~2.05 Kg Min.after 10000 insertion/extraction cycles
- Temperature range: -30°C~+80°C



(coplanarity 0.1mm MAX. Before, during and after Reflow)



Tolerance : ±0.1(TOP VIEW)



RECOMMENDED PCB LAYOUT

④	Contact	5	Copper Alloy	Au Plated
③	Shell	1	SUS	Ni Plated
②	Cover	1	SUS	Ni Plated
①	Housing	1	LCP	Black
ITEM	PART NAME	QTY.	MATERIAL	FINISHING

THESE DRAWINGS AND SPECIFICATIONS ARE THE PROPERTY OF SHENZHEN YUCHENG ELECTRONICS,LTD AND SHALL NOT BE REPRODUCED,COPIED OR USED IN ANY MANNER WITHOUT THE PRIOR WRITTEN CONSENT OF SHENZHEN YUCHENG ELECTRONICS,LTD



深圳市裕诚电子有限公司
SHENZHEN YUCHENG ELECTRONICS CO.,LTD

APPROVED:	WEI JIE	GENERAL TOLERANCES	TITLE:	Micro5PBF垫高1.55mm四脚DIP双壳卷边
CHECKED:	HONG JIN YUN	30~以上 ±0.30	PART NO:	MICRO-D155
DRAWING:	CHEN YA	10~30 ±0.25	WEBSITE:	www.ycelectron.com
		5~10 ±0.20	REV: A	UNIT: mm
		~ 5 ±0.15	SCALE: /	SHEET: A4
		SHEET: 1 / 1		