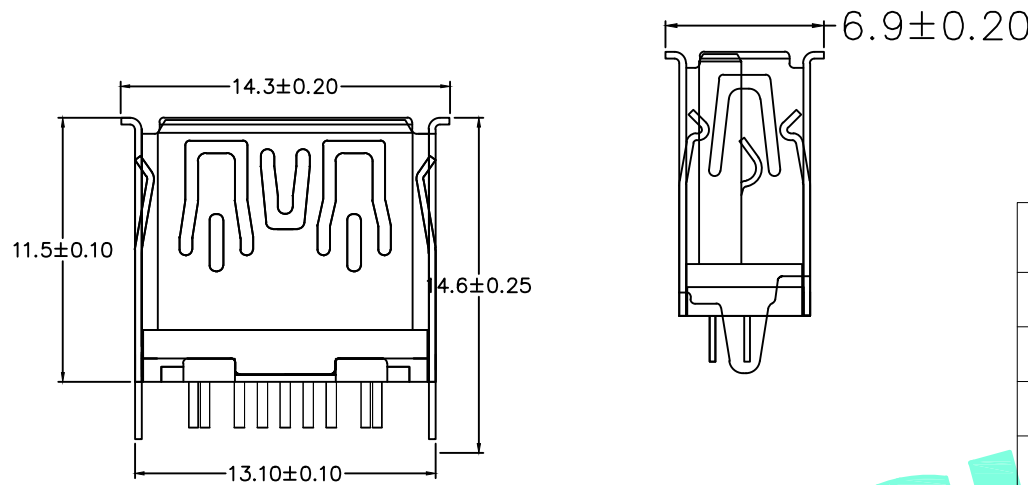


RoHS Compliant

| | | | |
|----------|-----------------|------------|------|
| REV. A/0 | DESCRIPTION NEW | DESIGN CWF | DATE |
|----------|-----------------|------------|------|



| PIN NU_BER | SIGNAL NAME |
|------------|-------------|
| 1 | USB 电压 |
| 2 | D-(负极) |
| 3 | D+(正极) |
| 4 | 地线 |
| 5 | SSRX- |
| 6 | SSRX+ |
| 7 | GND(地线) |
| 8 | SSTX- |
| 9 | SSTX+ |
| shell | SHIELD |

规格说明 Specifications:

电气特性 Electrical:

- 额定电流 Current Rating: 1.5A/contact terminal 接触端子
- 额定电压 Voltage Rating: 30V DC
- 接触电阻 Contact Resistance: 30 milliohms MAX
- 耐压 Dielectric Withstanding Voltage: 500 V AC AT Sea Level
- 绝缘电阻 Insulation Resistance: 1000MEGA ohms MIN

物理性能 Mechanical:

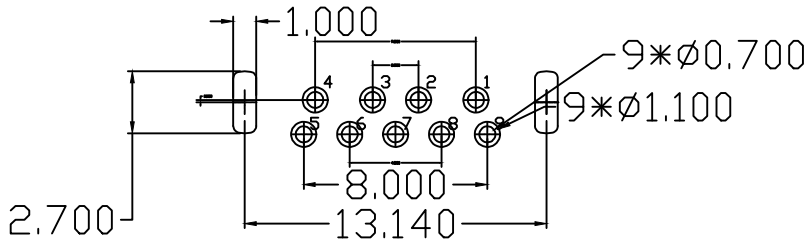
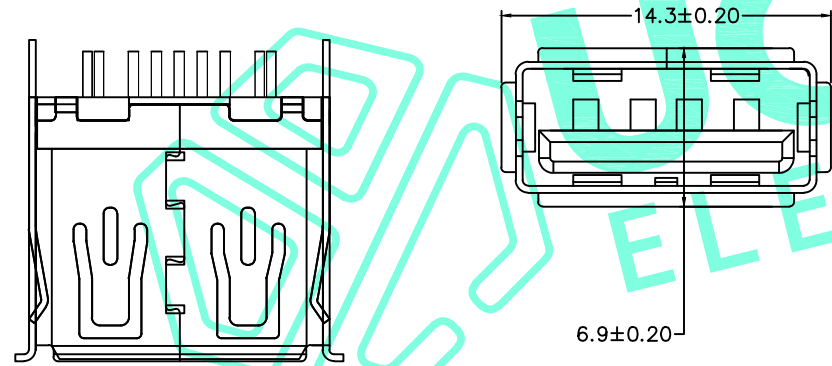
- 插拔力 Connector Mate and Unmate Force: Mate force: 3.57kgf(MAX) Unmate force: 1.02kgf(MIN)
- 端子保持力 Terminal Retention: 1.0kgf(MIN)

原材料 Material:

- 塑胶 Housing: Hing Temperature Ternmaplastics,
- 端子 Contact: H65黄铜 Copper Alloy C2680
- 外壳 Shell: H65黄铜 Copper Alloy C2680/SPCC

电镀 Finish:

- 端子 Contact: Plated Gold in Mating Area; Tin On Solder Tails
端子四周镀锡 30-50U"(MIN), 镀金区域镀金 1U"
- 外壳 Shell: 铁壳四周镀 80U"(MIN) 镍
Nickel Plating



P. C. B LAYOUT
TOL: ±0.05

THESE DRAWINGS AND SPECIFICATIONS ARE THE PROPERTY OF SHENZHEN YUCHENG ELECTRONICS, LTD. AND SHALL NOT BE REPRODUCED, COPIED OR USED IN ANY MANNER WITHOUT THE PRIOR WRITTEN CONSENT OF SHENZHEN YUCHENG ELECTRONICS, LTD.

APPROVED: WEI JIE
CHECKED: HONG JIN YUN
DRAWING: CHEN YA

YUCHENG ELECTRONICS 深圳市裕诚电子有限公司
SHENZHEN YUCHENG ELECTRONICS CO., LTD

| | | | | | |
|--------------------|--------|-----------|--|-------------------------|----------|
| GENERAL TOLERANCES | | TITLE: | | USB3.0母座 11.5卷边180度立式插板 | |
| .X±0.15 | X.±5° | PART NO: | | USB-LS115C-J | |
| .XX±0.05 | .X±2° | WEBSITE: | | www.ycelectron.com | |
| .XXX±0.02 | .XX±1° | REV: A | | UNIT: mm | SCALE: / |
| SHEET: 1 / 1 | | SHEET: A4 | | | |