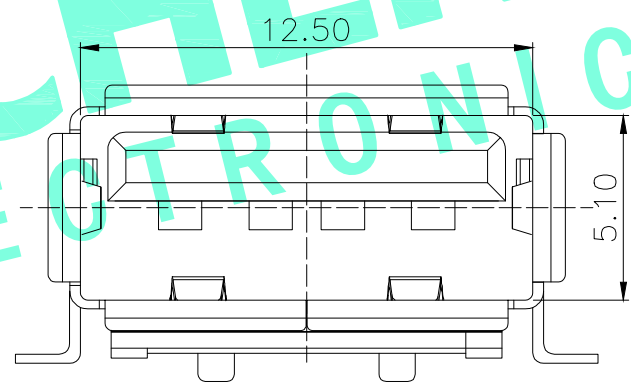
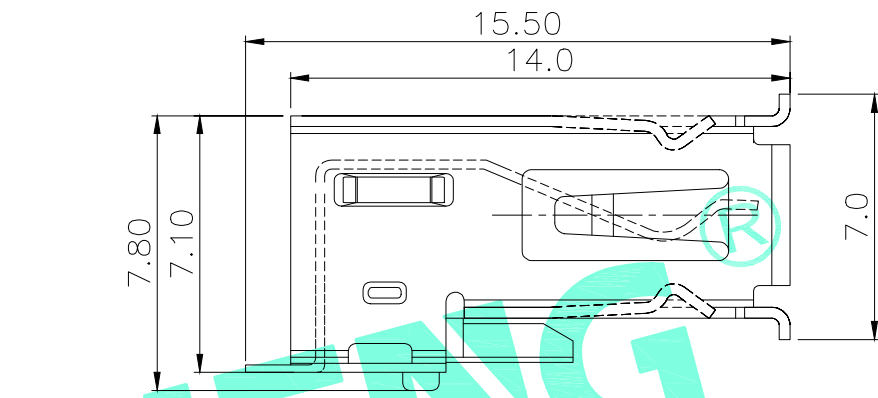
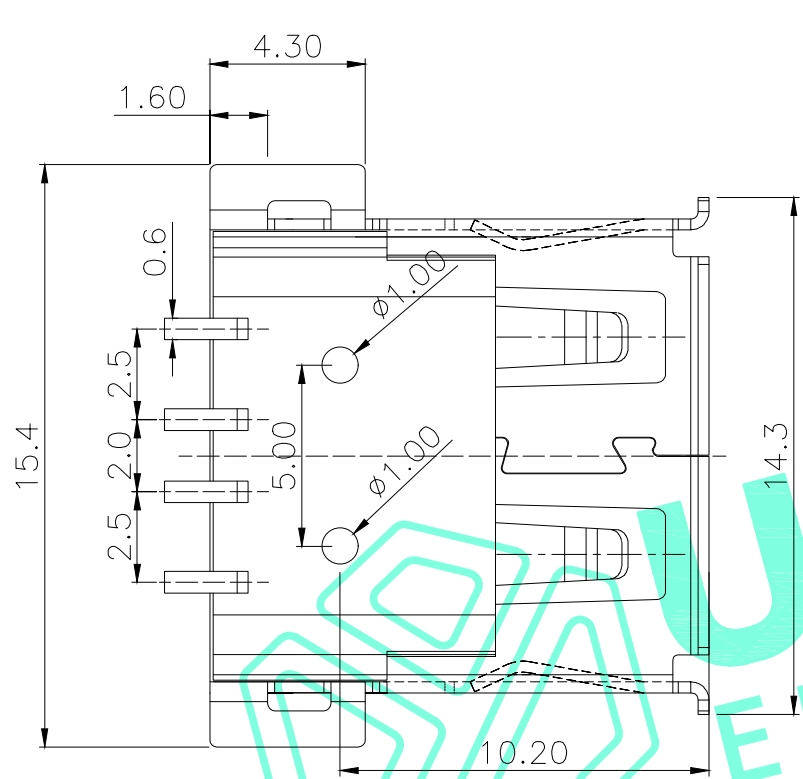
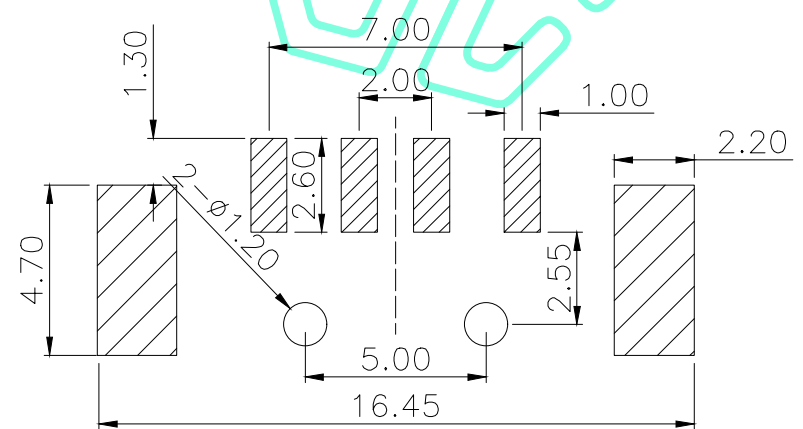


RoHS Compliant

REV. A/0	DESCRIPTION NEW	DESIGN CWF	DATE
-------------	--------------------	---------------	------



Voltage Rating: 30V DC
 Current Rating: 1.5A
 Mechanical Characteristics:
 Mating Force: 3.57kg Max
 Unmating Force: 1.02kg Min



Recommended PCB Layout

③	Base	1	LCP	White
②	Terminal	4	Copper Alloy	Sn Plated
①	Housing	1	Copper Alloy	Sn Plated
ITEM	PART NAME	QTY.	MATERIAL	FINISHING

THESE DRAWINGS AND SPECIFICATIONS ARE THE PROPERTY OF SHENZHEN YUCHENG ELECTRONICS, LTD AND SHALL NOT BE REPRODUCED, COPIED OR USED IN ANY MANNER WITHOUT THE PRIOR WRITTEN CONSENT OF SHENZHEN YUCHENG ELECTRONICS, LTD

UCHENG 深圳市裕诚电子有限公司
 ELECTRONICS SHENZHEN YUCHENG ELECTRONICS CO.,LTD

APPROVED:	WEI JIE	GENERAL TOLERANCES	TITLE:	USB 2.0AF 全贴片 托盘 直径1.0卷边		
CHECKED:	HONG JIN YUN	30~以上 ±0.30	PART NO:	USB-T10QT		
DRAWING:	CHEN YA	10~30 ±0.25	WEBSITE:	www.ycelectron.com		
		5~10 ±0.20	REV: A	UNIT: mm	SCALE: /	SHEET: A4
		~ 5 ±0.15				
		SHEET: 1 / 1				

