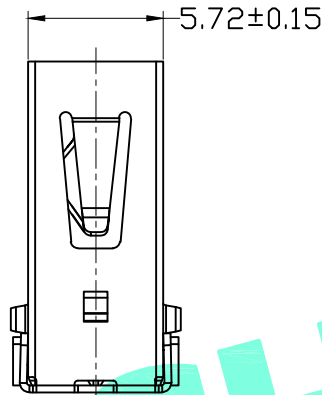
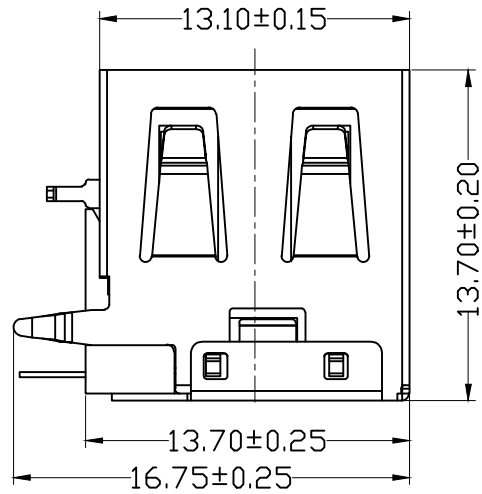
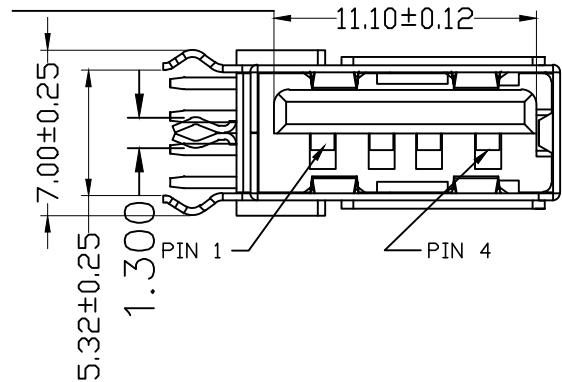
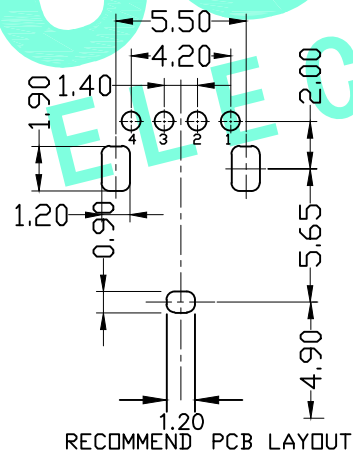
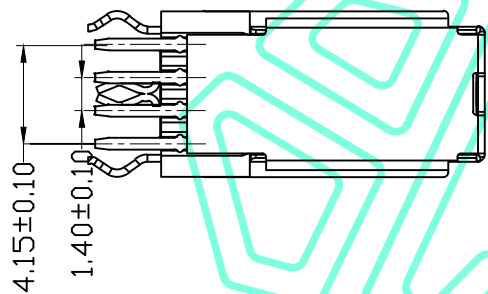


RoHS Compliant

REV. A/0	DESCRIPTION NEW	DESIGN CWF	DATE
-------------	--------------------	---------------	------



- Material:
 - Contact: Phosphor Bronze
 - Insulator: PBT+30% G.F. UL 94V-0
 - Shell: SPCC
- Mechanical:
 - Mating: 35N max.
 - Withdrawal Force: 10N min.
 - Durability: 1500 cycles min.
- Electrical:
 - Current-max (amps): 1.5A
 - Voltage-max (volts): 30V
 - Withstanding Voltage: 750V AC
 - Contact Resistance (ohms): 30 milliohms max
 - Insulation Resistance (ohms): 1000 Megohms min.
- Plating:
 - Contacts: Gold And Tin Over Nickel Plated
 - Shell: Nickel over all plating.
- Environmental:
 - Temperature Range: -55°C to +85°C



THESE DRAWINGS AND SPECIFICATIONS ARE THE PROPERTY OF SHENZHEN YUCHENG ELECTRONICS, LTD. AND SHALL NOT BE REPRODUCED, COPIED OR USED IN ANY MANNER WITHOUT THE PRIOR WRITTEN CONSENT OF SHENZHEN YUCHENG ELECTRONICS, LTD.



深圳市裕诚电子有限公司
SHENZHEN YUCHENG ELECTRONICS CO., LTD

APPROVED:	WEI JIE
CHECKED:	HONG JIN YUN
DRAWING:	CHEN YA

GENERAL TOLERANCES		TITLE: USB 2.0AF 侧插13.7直边弯脚0型	
30~以上	±0.30	PART NO: USB-C137Z	
10~30	±0.25	WEBSITE: www.ycelectron.com	
5~10	±0.20	REV: A	
~ 5	±0.15	UNIT: mm	SCALE: /
SHEET: 1 / 1		SHEET: A4	

