

RoHS Compliant

REV. A/0	DESCRIPTION NEW	DESIGN CFW	DATE
-------------	--------------------	---------------	------

NOTES:

1.MATERIAL:

- 1.1 HOUSHING:THERMOPLASTIC COLOR:BLACK/WHITE
- 1.2 CONTACT:COPPER ALLOY

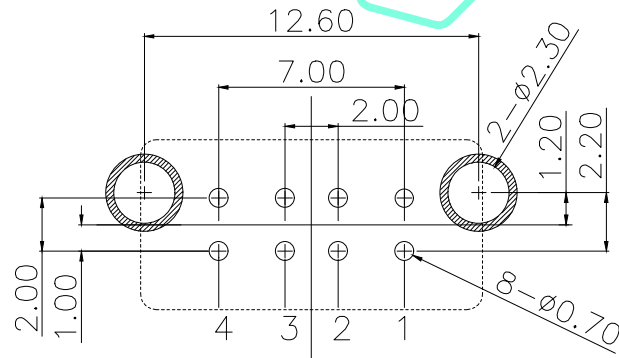
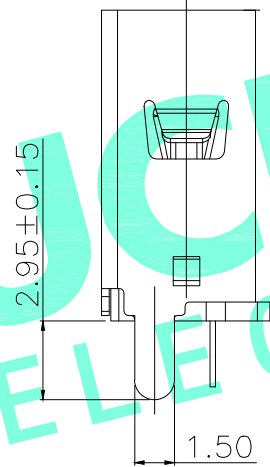
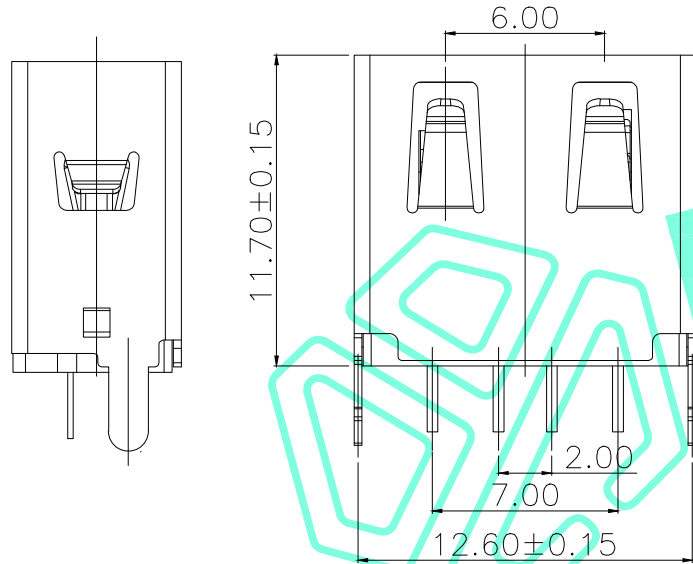
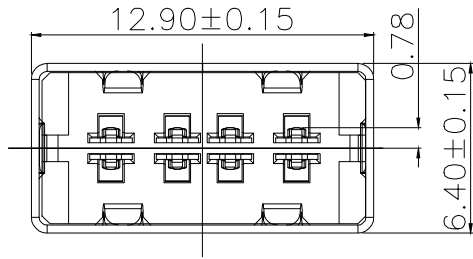
2. PLATING;
CONTACT:

- 1). GOLD FLASH CONTACT AREA;120u" TIN SOLDER;NICKEL OVER ALL
- 2). 5u" GOLD CONTACT AREA;120u" TIN SOLDER;NICKEL OVER ALL
- 3). 15u" GOLD CONTACT AREA;120u" TIN SOLDER;NICKEL OVER ALL

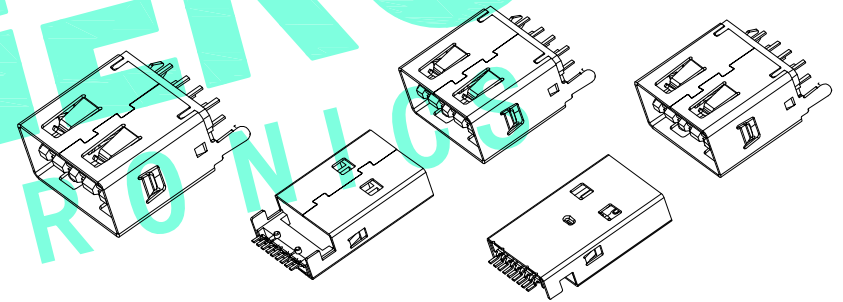
4.ENVIRONMENTAL:

OPERATION TEMPERATURE:-40°C~+85°C

5.PRODUCT COMPLIANT TO THE REQUEST OF RoHS



PCB Layout recommended



公头可正向插入

公头可反向插入

③	Base	1	NYLON	White/black
②	Terminal	8	Phosphor Bronze	Ag Plated
①	Housing	1	SPCC/Phosphor Bronze	Ni Plated
ITEM	PART NAME	QTY.	MATERIAL	FINISHING

THESE DRAWINGS AND SPECIFICATIONS ARE THE PROPERTY OF SHENZHEN YUCHENG ELECTRONICS.,LTD AND SHALL NOT BE REPRODUCED, COPIED OR USED IN ANY MANNER WITHOUT THE PRIOR WRITTEN CONSENT OF SHENZHEN YUCHENG ELECTRONICS.,LTD



深圳市裕诚电子有限公司
SHENZHEN YUCHENG ELECTRONICS CO.,LTD

APPROVED:	WEI JIE	GENERAL TOLERANCES	TITLE:	USB 2.0AF 180度11.7直脚 正反插
CHECKED:	HONG JIN YUN	30~以上 ±0.30	PART NO:	USB-Z117F
DRAWING:	CHEN YA	10~30 ±0.25	WEBSITE:	www.ycelectron.com
		5~10 ±0.20	REV: A	UNIT: mm SCALE: / SHEET: A4
		~ 5 ±0.15		
		SHEET: 1 / 1		