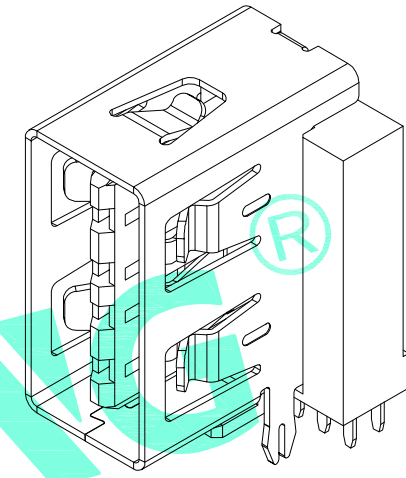
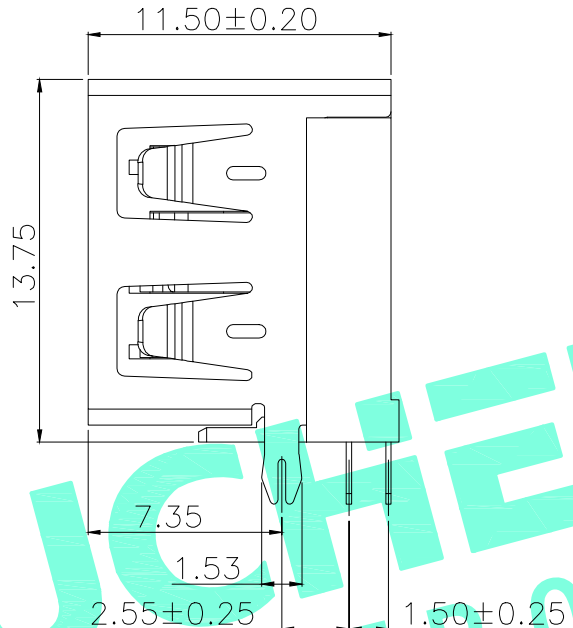
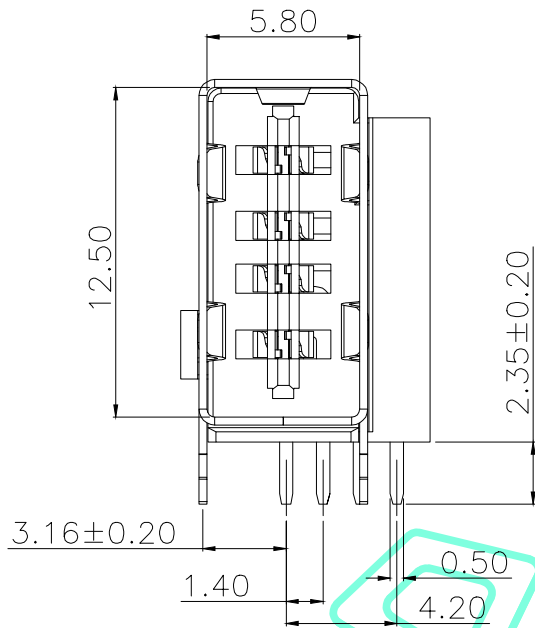
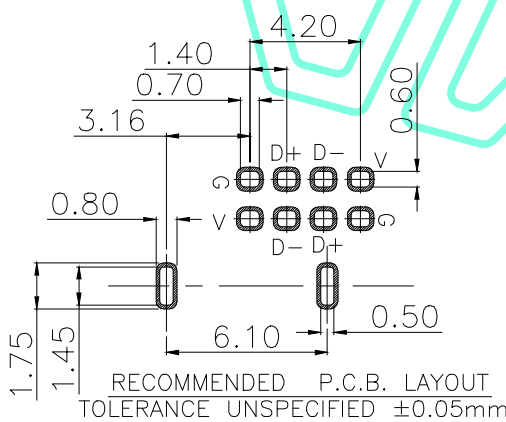


RoHS Compliant

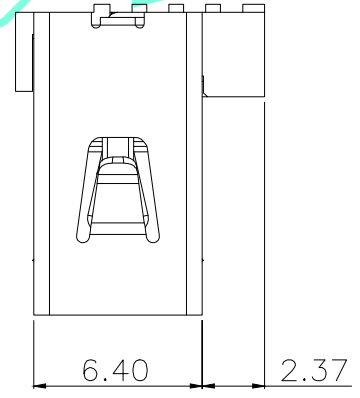
REV.	DESCRIPTION	DESIGN	DATE
A/0	NEW	CWF	



公头可正反插入



RECOMMENDED P.C.B. LAYOUT
TOLERANCE UNSPECIFIED ±0.05mm



③	Base	1	NY66	White/black
②	Terminal	8	Phosphor Bronze	Ag Plated
①	Housing	1	Phosphor Bronze	Ni Plated
ITEM	PART NAME	QTY.	MATERIAL	FINISHING

THESE DRAWINGS AND SPECIFICATIONS ARE THE PROPERTY OF SHENZHEN YUCHENG ELECTRONICS,LTD.AND SHALL NOT BE REPRODUCED,COPIED OR USED IN ANY MANNER WITHOUT THE PRIOR WRITTEN CONSENT OF SHENZHEN YUCHENG ELECTRONICS,LTD



深圳市裕诚电子有限公司
SHENZHEN YUCHENG ELECTRONICS CO.,LTD

APPROVED:	WEI JIE	GENERAL TOLERANCES	TITLE:	USB 2.0AF 侧插11.5直边 正反插		
CHECKED:	HONG JIN YUN	30~以上 ±0.30	PART NO:	USB-C115Z		
DRAWING:	CHEN YA	10~30 ±0.25	WEBSITE:	www.ycelectron.com		
		5~10 ±0.20	REV: A	UNIT: mm	SCALE: /	SHEET: A4
		~ 5 ±0.15				
		SHEET: 1 / 1				

