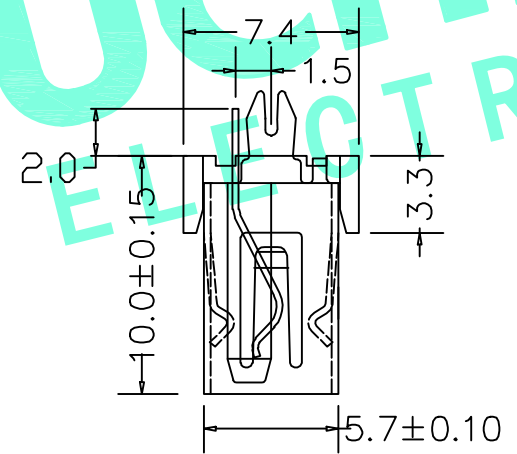
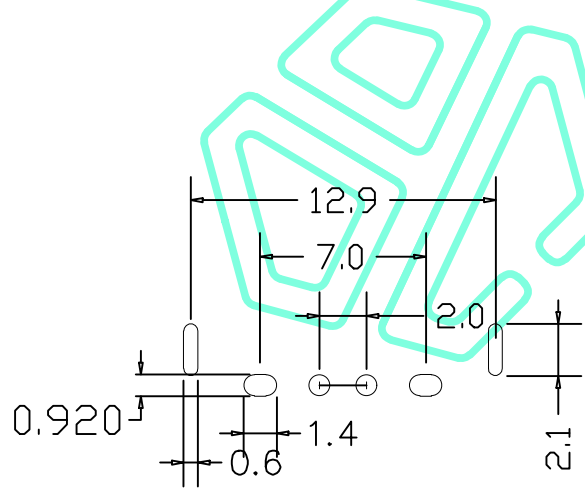
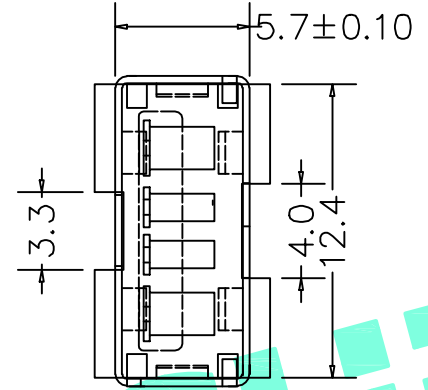
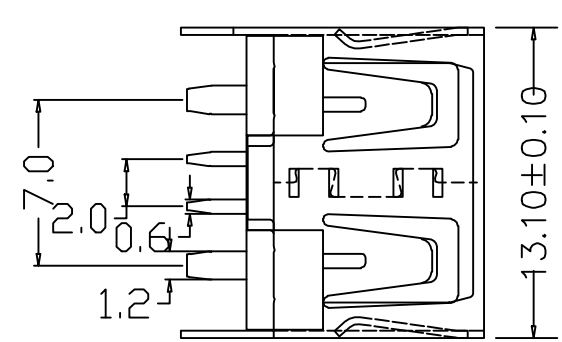


RoHS Compliant

REV.	DESCRIPTION	DESIGN	DATE
A/0	NEW	CWF	



规格说明: Specifications:

电气特性: Electrical:

1. 额定电流: Current Rating  
5A/contact terminal
2. 额定电压: Voltage Rating  
30V DC
3. 接触阻抗: Contact Resistance  
30 milliohms MAX
4. 耐压: Dielectric Withstanding Voltage:  
500 V AC AT Sea Level
5. 绝缘阻抗: Insulation Resistance:  
1000MEGA ohms MIN

物理性能: Mechanical:

1. 插拔力: Connector Mate and Unmate Force  
Mate force: 3.57kgf(MAX)  
Unmate force: 1.02kgf(MIN)

原材料: Material:

1. 塑胶: Housing: BPT, LCP
2. 端子: Contact: Copper Alloy C2680
3. 外壳: Shell: Copper Alloy C2680/SPCC

电镀: Finish:

1. 端子: Contact: Plated Gold in Mating Area;  
Tin On Solder Tails
2. 外壳: Shell:  
端子四周镀50U"(MIN)锡, 镀金区域镀100-200U"镀金3U"  
铜壳四周镀80U"(MIN)锡

Nickel Plating

THESE DRAWINGS AND SPECIFICATIONS ARE THE PROPERTY OF SHENZHEN YUCHENG ELECTRONICS, LTD. AND SHALL NOT BE REPRODUCED, COPIED OR USED IN ANY MANNER WITHOUT THE PRIOR WRITTEN CONSENT OF SHENZHEN YUCHENG ELECTRONICS, LTD.

APPROVED:	WEI JIE
CHECKED:	HONG JIN YUN
DRAWING:	CHEN YA

		<b>深圳市裕诚电子有限公司</b> SHENZHEN YUCHENG ELECTRONICS CO.,LTD	
GENERAL TOLERANCES		TITLE: USB 2.0AF 180度10.0短体直边 大电流	
30~以上	±0.30	PART NO: USB-D100Z	
10~30	±0.25	WEBSITE: www.ycelectron.com	
5~10	±0.20	REV: A UNIT: mm SCALE: / SHEET: A4	
~ 5	±0.15	SHEET: 1 / 1	