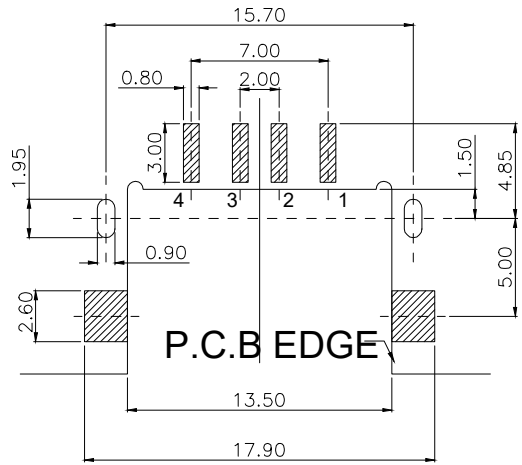
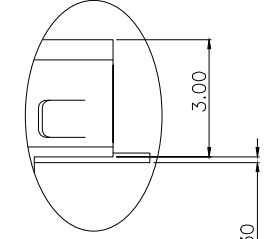
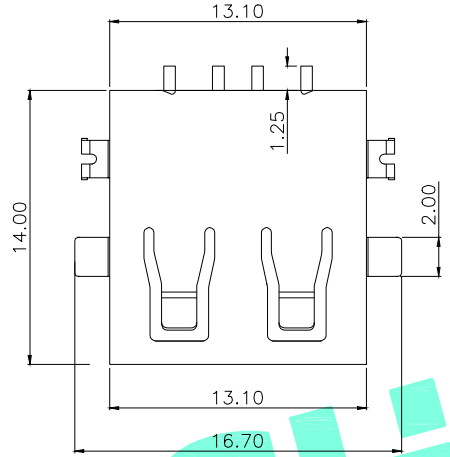


RoHS Compliant

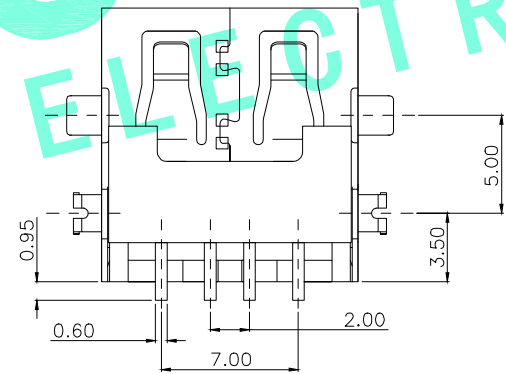
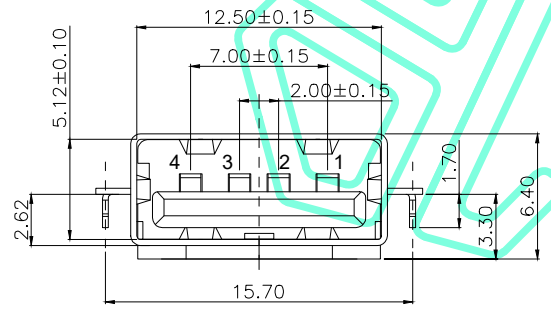
REV. A/0	DESCRIPTION NEW	DESIGN CWF	DATE
----------	-----------------	------------	------



P. C. B LAYOUT

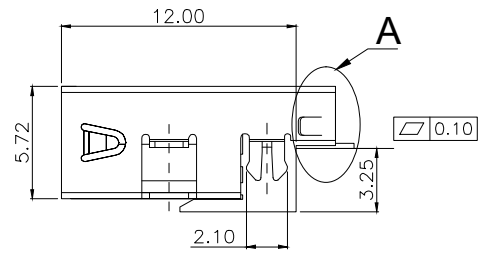


Pin Number	Signal Name
1	VCC
2	D-
3	D+
4	GND



- Current Rating: 1.5A/contact terminal
- Voltage Rating: 30V DC
- Contact Resistance: 30 milliohms MAX
- Dielectric Withstanding Voltage: 500 V AC AT Sea Level
- Insulation Resistance: 1000MEGA ohms MIN
- Connector Mate and Unmate Force
Mate force: 3.57kgf(MAX)
Unmate force: 1.02kgf(MIN)
- Terminal Retention: 1.0kgf(MIN)

ITEM	PART NAME	QTY.	MATERIAL	FINISHING
③	Base	1	PBT	black
②	Terminal	4	Phosphor Bronze	Ag Plated
①	Housing	1	SPCC/Phosphor Bronze	Ni Plated



THESE DRAWINGS AND SPECIFICATIONS ARE THE PROPERTY OF SHENZHEN YUCHENG ELECTRONICS, LTD. AND SHALL NOT BE REPRODUCED, COPIED OR USED IN ANY MANNER WITHOUT THE PRIOR WRITTEN CONSENT OF SHENZHEN YUCHENG ELECTRONICS, LTD.

APPROVED: WEI JIE
 CHECKED: HONG JIN YUN
 DRAWING: CHEN YA



深圳市裕诚电子有限公司
 SHENZHEN YUCHENG ELECTRONICS CO.,LTD

GENERAL TOLERANCES	TITLE:	USB 2.0AF 沉板刺破90度直边		
30~以上 ±0.30	PART NO:	USB-C140Z		
10~30 ±0.25	WEBSITE:	www.ycelectron.com		
5~10 ±0.20	REV: A	UNIT: mm	SCALE: /	SHEET: A4
~ 5 ±0.15	SHEET: 1 / 1			