

RoHS Compliant

REV. A/0	DESCRIPTION NEW	DESIGN CWF	DATE
-------------	--------------------	---------------	------

备注:Note

原材料Material:

1. 塑胶Housing:LCP E1301. UL94-0

2. 端子Contact: copper alloy,t=0.15mm

3.外壳

Shell:copper alloy/SUS304,t=0.3mm

规格说明Specification:

1. 额定电流Current rating:1,5PIN 1.8A Max

2,3,4PIN 1A Max.

2. 耐电压Dielectric withstanding voltage:100 V(ac) for 1 min.

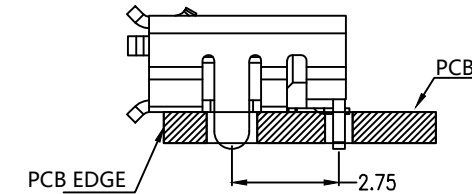
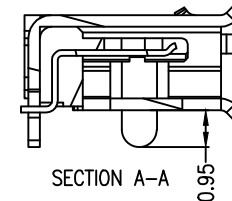
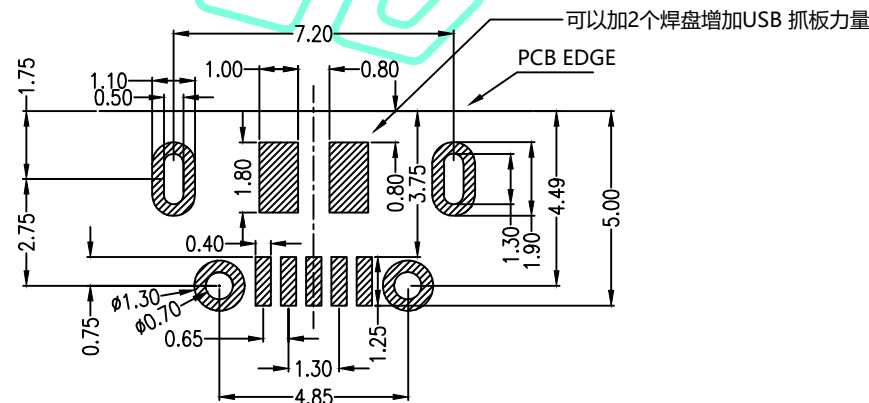
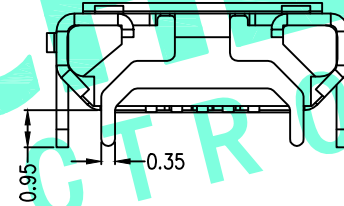
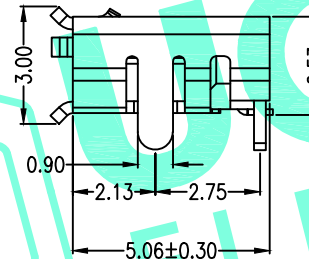
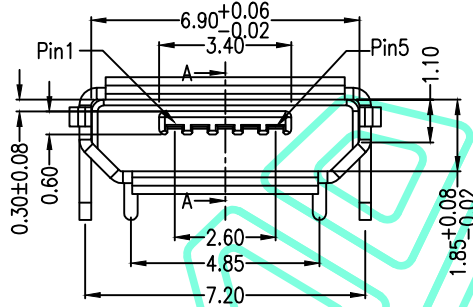
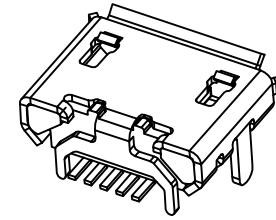
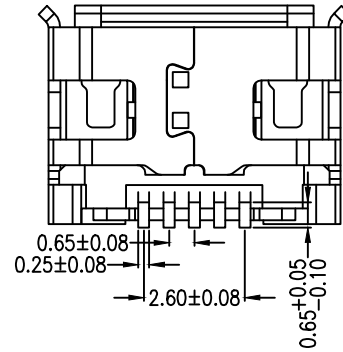
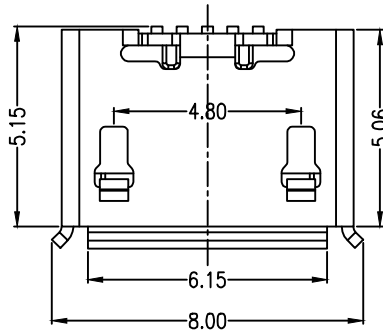
3. 接触阻抗Contact resistance:30 mΩ Max.

4. 绝缘阻抗Insulation resistance:100 MO Min.

5. 插入力Total mating force:3.57 Kgf Max.

6. 拔出力Total unmating force: 1.0 Kgf Min.

7. 工作温度Temperature range: -30°C~80°C



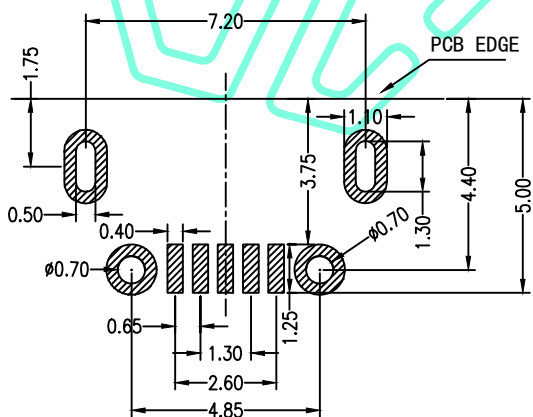
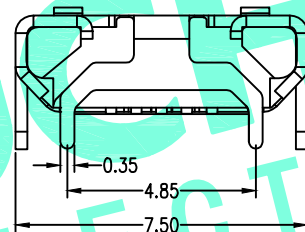
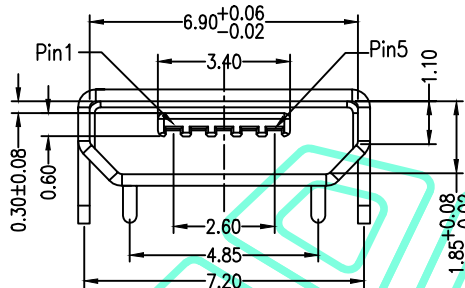
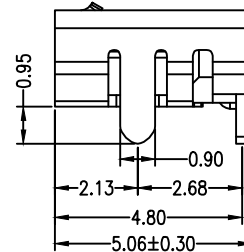
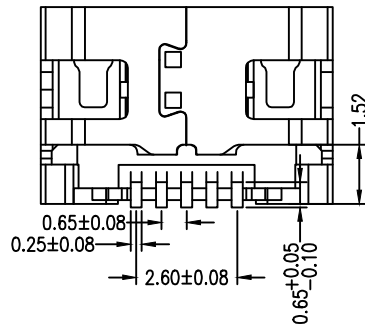
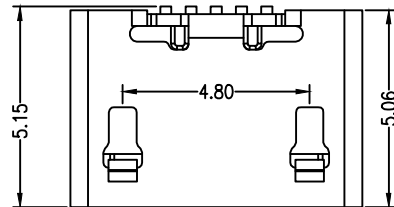
THESE DRAWINGS AND SPECIFICATIONS ARE THE PROPERTY OF SHENZHEN YUCHENG ELECTRONICS, LTD AND SHALL NOT BE REPRODUCED, COPIED OR USED IN ANY MANNER WITHOUT THE PRIOR WRITTEN CONSENT OF SHENZHEN YUCHENG ELECTRONICS, LTD

YUCHENG 深圳市裕诚电子有限公司
ELECTRONICS SHENZHEN YUCHENG ELECTRONICS CO.,LTD

APPROVED:	WEI JIE	GENERAL TOLERANCES	30~以上	±0.30	TITLE:	Micro 4P 卧贴小牛角5针卷边
CHECKED:	HONG JIN YUN	10~30	±0.25	PART NO:	MICRO-XN58-J	
DRAWING:	CHEN YA	5~10	±0.20	WEBSITE:	www.ycelectron.com	
		~ 5	±0.15	REV: A	UNIT: mm	SCALE: /
		SHEET:	1 / 1		SHEET: A4	

RoHS Compliant

REV. A/0	DESCRIPTION NEW	DESIGN CWF	DATE
-------------	--------------------	---------------	------



RECOMMENDED PCB LAYOUT

备注:Note
 原材料Material:
 1. 塑胶Housing:LCP E1301. UL94-0
 2. 端子Contact: copper alloy,t=0.15mm
 3. 外壳
 Shell:copperalloy/SUS304,t=0.3mm
 规格说明Specification:
 1. 额定电流Current rating:1,5PIN 1.8A Max
 2,3,4PIN 1A Max.
 2. 耐电压Dielectric withstanding voltage:100 V(ac) for 1 min.
 3. 接触阻抗Contact resistance:30 mΩ Max.
 4. 绝缘阻抗Insulation resistance:100 MO Min.
 5. 插入力Total mating force:3.57 Kgf Max.
 6. 拔出力Total unmating force: 1.0 Kgf Min.
 7. 工作温度Temperature range: -30°C~80°C

THESE DRAWINGS AND SPECIFICATIONS ARE THE PROPERTY OF SHENZHEN YUCHENG ELECTRONICS.,LTD AND SHALL NOT BE REPRODUCED, COPIED OR USED IN ANY MANNER WITHOUT THE PRIOR WRITTEN CONSENT OF SHENZHEN YUCHENG ELECTRONICS.,LTD

UCHENG 深圳市裕诚电子有限公司
 ELECTRONICS SHENZHEN YUCHENG ELECTRONICS CO.,LTD

APPROVED: WEI JIE		GENERAL TOLERANCES		TITLE: Micro 4P 卧贴小牛角5针直边	
CHECKED: HONG JIN YUN		30~以上	±0.30	PART NO: MICRO-XN58-Z	
DRAWING: CHEN YA		10~30	±0.25	WEBSITE: www.ycelectron.com	
		5~10	±0.20	REV: A UNIT: mm SCALE: / SHEET: A4	
		~ 5	±0.15		
		SHEET: 1 / 1			