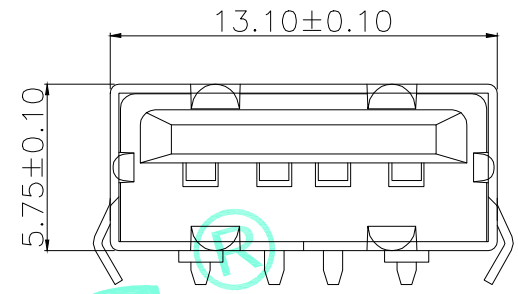
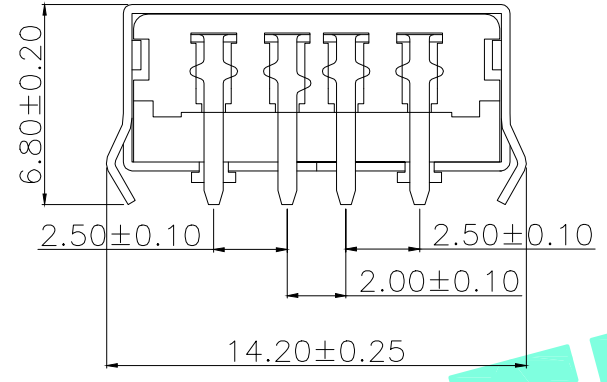
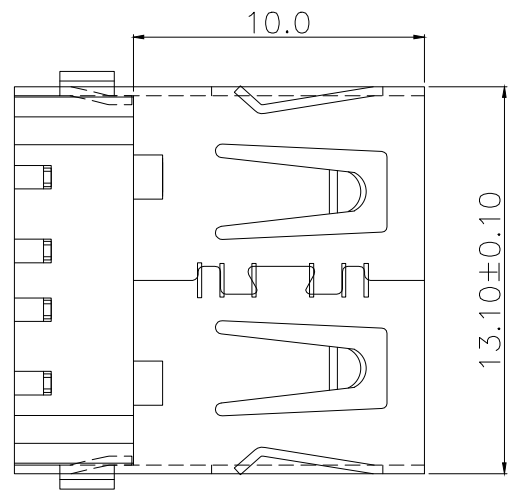


RoHS Compliant

REV. A/0	DESCRIPTION NEW	DESIGN CWF	DATE
-------------	--------------------	---------------	------



规格说明: Specifications:
电气特性: Electrical:

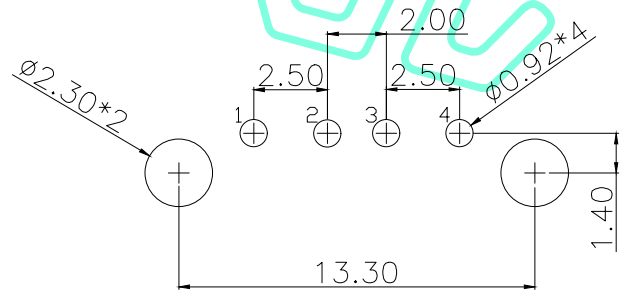
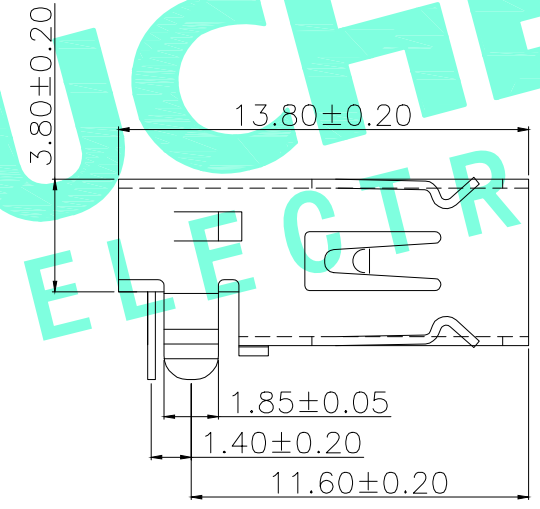
1. 额定电流: Current Rating
1.5A/contact terminal
2. 额定电压: Voltage Rating
30V DC
3. 接触阻抗: Contact Resistance
30 milliohms MAX
4. 耐电压: Dielectric Withstanding Voltage:
500 V AC find
5. 绝缘阻抗: Insulation Resistance:
1000MEGA ohms MIN

原材料: Raw material:

1. 塑胶: Plastic cement:
Hing Temperature Thermoplastics,
2. 端子: Contact: Copper Alloy C2680
3. 外壳: Shell: Copper Alloy C2680

电镀: Electroplate:

1. 端子: Contact: Plated Gold in Mating Area;
Tin On Solder Talls
2. 外壳: Shell:
Nickel Plating



Recommended PCB Layout

THESE DRAWINGS AND SPECIFICATIONS ARE THE PROPERTY OF SHENZHEN YUCHENG ELECTRONICS, LTD. AND SHALL NOT BE REPRODUCED, COPIED OR USED IN ANY MANNER WITHOUT THE PRIOR WRITTEN CONSENT OF SHENZHEN YUCHENG ELECTRONICS, LTD.



深圳市裕诚电子有限公司
SHENZHEN YUCHENG ELECTRONICS CO.,LTD

APPROVED:	WEI JIE	GENERAL TOLERANCES	30~以上	±0.30	TITLE:	USB 2.0AF 沉板弯脚直边 13.8			
CHECKED:	HONG JIN YUN	10~30	±0.25	PART NO:	USB-CW13Z				
DRAWING:	CHEN YA	5~10	±0.20	WEBSITE:	www.ycelectron.com				
		~ 5	±0.15	REV: A	UNIT: mm	SCALE: /	SHEET: A4	THI	
		SHEET:	1 / 1						