

RoHS Compliant

REV. A/0	DESCRIPTION NEW	DESIGN CWF	DATE
----------	-----------------	------------	------

规格说明: Specifications:

电气特性: Electrical:

1. 额定电流: Current Rating
1.5A/contact terminal
2. 额定电压: Voltage Rating
30V DC
3. 接触阻抗: Contact Resistance
30 milliohms MAX
4. 耐电压: Dielectric Withstanding Voltage:
500 V AC AT Sea Level
5. 绝缘阻抗: Insulation Resistance:
1000MEGA ohms MIN

物理性能: Mechanical:

1. 插拔力: Connector Mate and Unmate Force
Mate force: 3.57kgf(MAX)
Unmate force: 1.02kgf(MIN)
2. 端子保持力: Terminal Retention
1.0kgf(MIN)

原材料: Material:

1. 塑胶: Housing:
PBT,
2. 端子: Contact: Copper Alloy C2680
3. 外壳: Shell: Copper Alloy C2680/SPCC

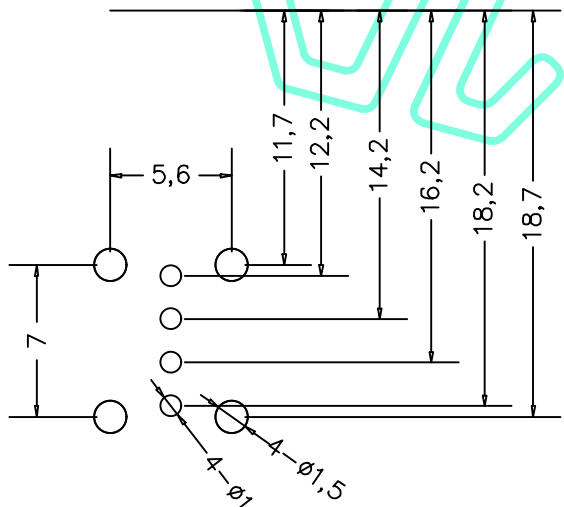
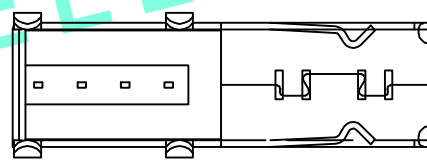
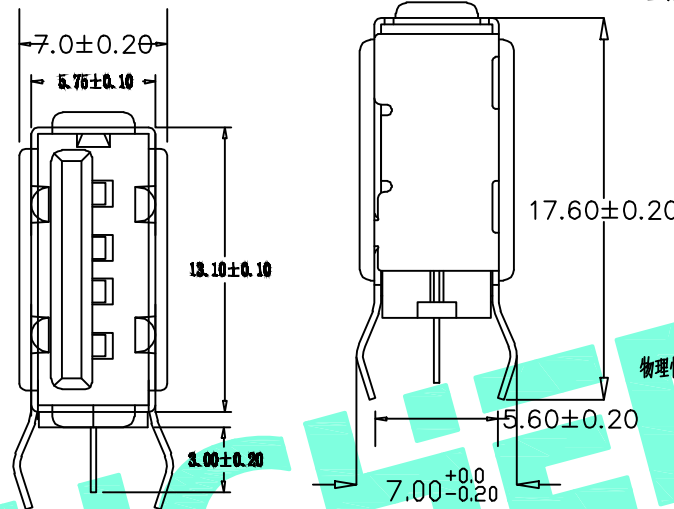
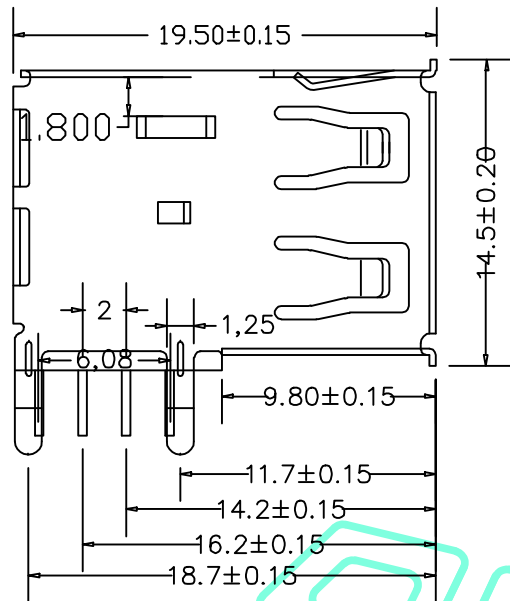
电镀: Finish:

1. 端子: Contact: Plated Gold in Mating Area;
Tin On Solder Talls

端子四周镀50U”(MIN)锡, 镀金区域镀100-200U”镀金1U”

2. 外壳: Shell:
铜壳四周镀80U”(MIN)锡

Nickel Plating



THESE DRAWINGS AND SPECIFICATIONS ARE THE PROPERTY OF SHENZHEN YUCHENG ELECTRONICS, LTD. AND SHALL NOT BE REPRODUCED, COPIED OR USED IN ANY MANNER WITHOUT THE PRIOR WRITTEN CONSENT OF SHENZHEN YUCHENG ELECTRONICS, LTD.



深圳市裕诚电子有限公司
SHENZHEN YUCHENG ELECTRONICS CO.,LTD

APPROVED:	WEI JIE	GENERAL TOLERANCES	TITLE:	USB 2.0AF 侧插长体卷边		
CHECKED:	HONG JIN YUN	30~以上 ±0.30	PART NO:	USB-C195J		
DRAWING:	CHEN YA	10~30 ±0.25	WEBSITE:	www.ycelectron.com		
		5~10 ±0.20	REV: A	UNIT: mm	SCALE: /	SHEET: A4
		~ 5 ±0.15				
		SHEET: 1 / 1				