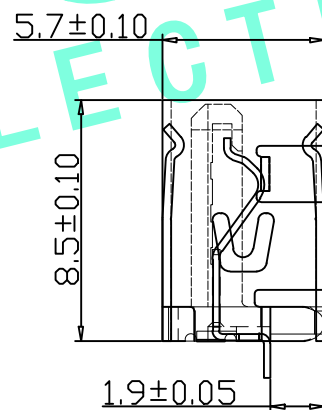
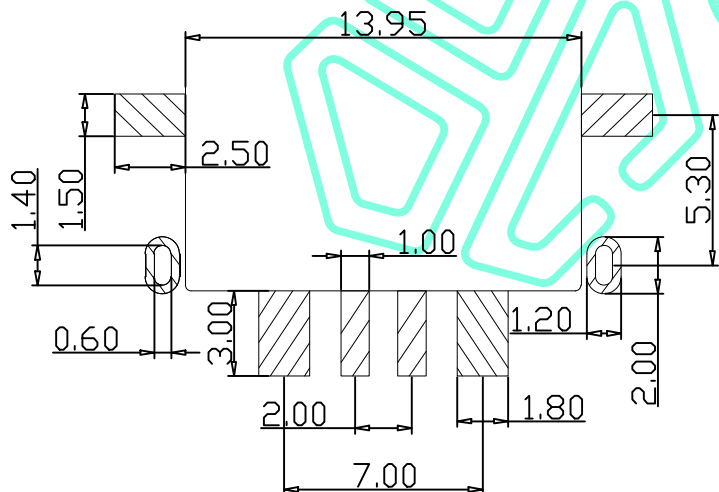
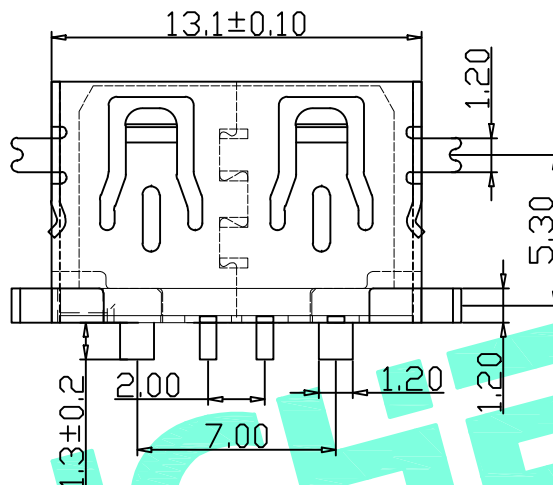


RoHS Compliant

REV. A/0	DESCRIPTION NEW	DESIGN CWF	DATE
-------------	--------------------	---------------	------



规格说明: Specifications:

电气特性: Electrical:

1. 额定电流: Current Rating
3.0A/contact terminal
2. 额定电压: Voltage Rating
30V_DC
3. 接触阻抗: Contact Resistance
30 milliohms MAX
4. 耐电压: Dielectric Withstanding Voltage:
500 V AC AT Sea Level
5. 绝缘阻抗: Insulation Resistance:
1000MEGA ohms MIN

物理性能: Mechanical:

1. 插拔力: Connector Mate and Unmate Force
Mate force: 3.57kgf (MAX)
Unmate force: 1.02kgf (MIN)
2. 端子保持力: Terminal Retention
1.0kgf (MIN)

原材料: Material:

1. 塑胶: Housing:
Hing Temperature
Thermoplastics,
2. 端子: Contact: Copper Alloy C2680
3. 外壳: Shell: Copper Alloy C2680/SPCC

电镀: Finish:

1. 端子: Contact: Plated Gold In Mating Area:
Tin On Solder Talls
端子四周镀30~50U" (MIN) 镍, 镀80~120U" 锡, 刷金1U"
2. 外壳: Shell:
铁壳四周镀80U" (MIN) 铜, 80U' 镍, 铜壳80U' 镍
Nickel Plating

RECOMMENDED P.C.B LAYOUT

THESE DRAWINGS AND SPECIFICATIONS ARE THE PROPERTY OF SHENZHEN YUCHENG ELECTRONICS, LTD. AND SHALL NOT BE REPRODUCED, COPIED OR USED IN ANY MANNER WITHOUT THE PRIOR WRITTEN CONSENT OF SHENZHEN YUCHENG ELECTRONICS, LTD.



深圳市裕诚电子有限公司
SHENZHEN YUCHENG ELECTRONICS CO.,LTD

APPROVED:	WEI JIE	GENERAL TOLERANCES	30~以上	±0.30	TITLE:	USB 2.0AF 短体8.5 沉板1.9前插后贴SMT 大电流			
CHECKED:	HONG JIN YUN	10~30	±0.25	PART NO:	USB-85C19				
DRAWING:	CHEN YA	5~10	±0.20	WEBSITE:	www.ycelectron.com				
		~ 5	±0.15	REV: A	UNIT: mm	SCALE: /	SHEET: A4	⊕	
		SHEET:	1 / 1						