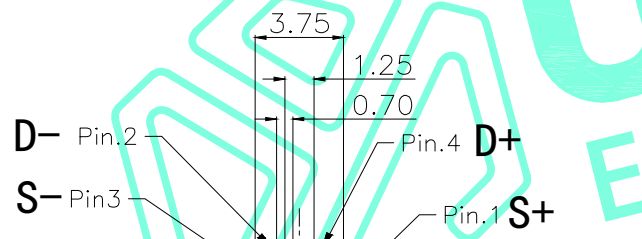
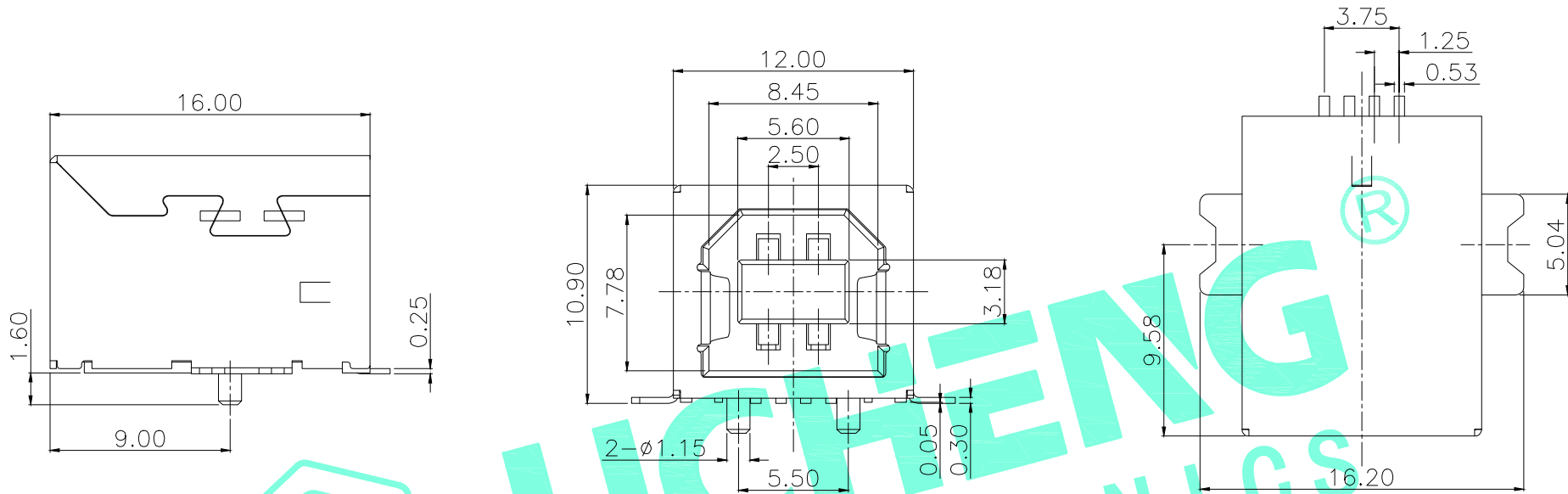


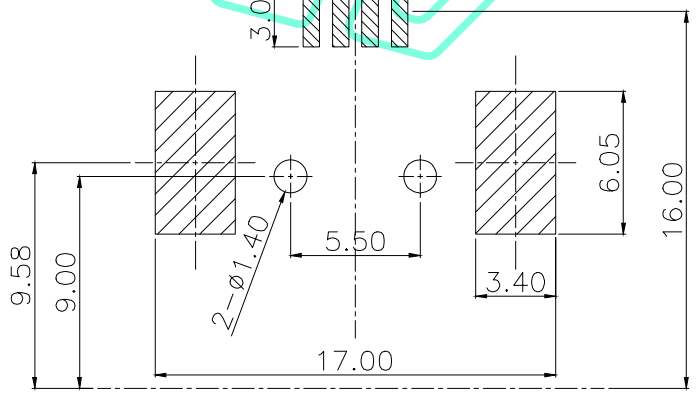
RoHS Compliant

REV. A/0	DESCRIPTION NEW	DESIGN CWF	DATE
-------------	--------------------	---------------	------



Specification

- 1.Voltage Current Rating:1AMP.30V AC
- 2.Insulation Resistance:1000MΩ Min
- 3.Contact Resistance:30mΩ Max
- 4.Dielectric Withstanding Voltage:500V AC
- 5.Temperature Range:-20°C to +60°C



RECOMMENDED P.C.B. LAYOUT

③	Base	1	PA9T	White/black
②	Terminal	4	Phosphor Bronze	Ag Plated
①	Housing	1	BRASS	Ni Plated
ITEM	PART NAME	QTY.	MATERIAL	FINISHING

THESE DRAWINGS AND SPECIFICATIONS ARE THE PROPERTY OF SHENZHEN YUCHENG ELECTRONICS.,LTD.AND SHALL NOT BE REPRODUCED,COPIED OR USED IN ANY MANNER WITHOUT THE PRIOR WRITTEN CONSENT OF SHENZHEN YUCHENG ELECTRONICS.,LTD

APPROVED: WEI JIE
 CHECKED: HONG JIN YUN
 DRAWING: CHEN YA

UCHENG 深圳市裕诚电子有限公司
 ELECTRONICS SHENZHEN YUCHENG ELECTRONICS CO.,LTD

GENERAL TOLERANCES		TITLE:	USB 2.0 BF 90度贴片	
30~以上	±0.30	PART NO:	USB-BF90T	
10~30	±0.25	WEBSITE:	www.ycelectron.com	
5~10	±0.20	REV: A	UNIT: mm	SCALE: /
~ 5	±0.15		SHEET: A4	
SHEET: 1 / 1				