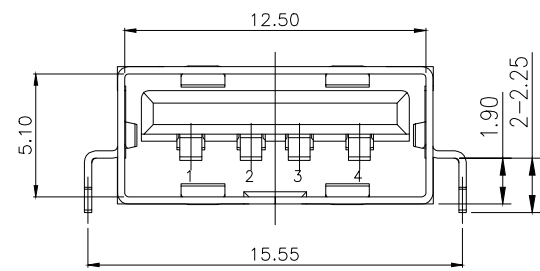
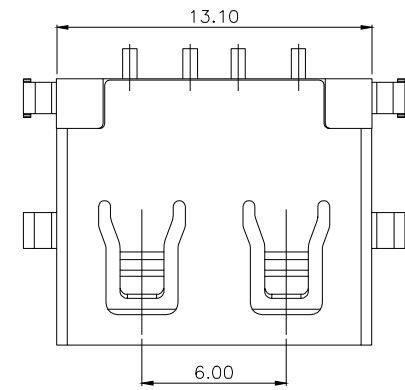


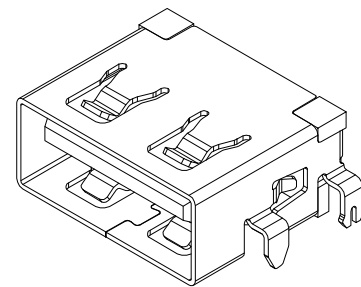
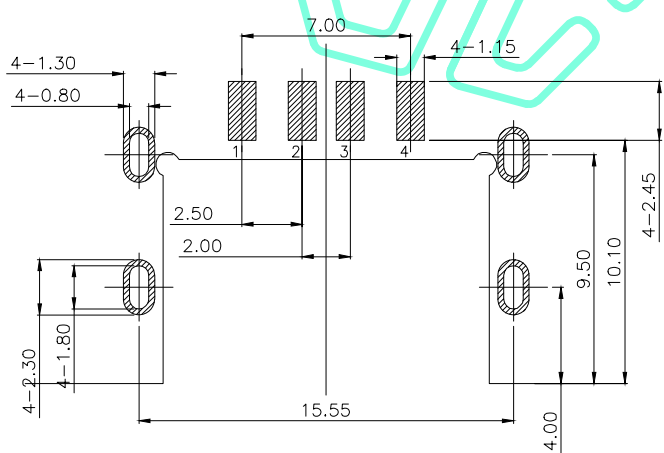
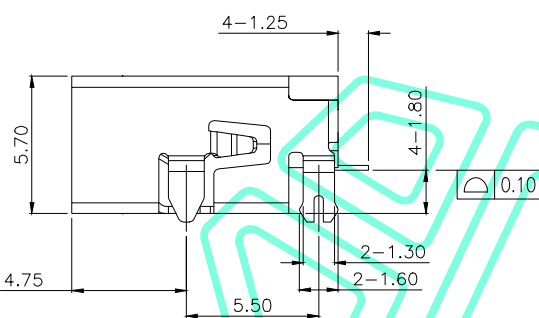
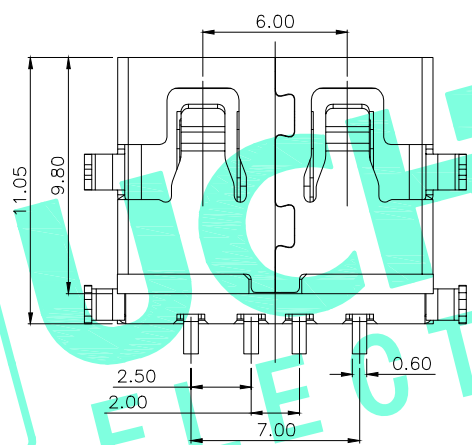
RoHS Compliant

REV.	DESCRIPTION	DESIGN	DATE
A/0	NEW	CFW	



NOTES:

- 1.MATERIAL  
CONTACTS: COPPER ALLOY (T=0.20mm)  
SHELL: SPCC OR COPPER ALLOY(T=0.30mm)  
HOUSING: HIGH TEMPERATURE RESISTANT PLASTIC,UL94 V-0.
- 2.ELECTRICAL PERFORMANCE,  
CONTACT RESISTANCE:30MΩ MAX  
CONTACT CURRENT RATING:1.5 AMPERES  
DIELECTRIC WITHSTAND VOLTAGE,500V R.M.S  
INSULATION RESISTANCE: 100MΩ MIN  
OPERATING TEMPERATURE: -40°C~+85°C.
- 3.MECHANICAL PERFORMANCE,  
INSERTION FORCE: 3.5kgf Max  
REMOVAL FORCE: 1.02kgf Min  
DURABILITY: 5000 CYCLES.
- 4.PLATING SPECIFICATION:  
CONTACTS: GOLD PLATED ON CONTACT AREA,Sn ON SOLDER AREA,  
NICKEL UNDERPLATED.  
SHELL: 80u"MIN BRIGHT NICKEL PLATING OVER ALL,  
NICKEL MUST BE SOLDRABILITY.  
HOUSING:HIGH TEMPERATURE RESISTANT PLASTIC,UL94 V-0 .



Pin Number	Signal Name
1	VBUS
2	D-
3	D+
4	GND

RECOMMEND P.C.B LAYOUT (COMPONENT SIDE)  
TOLERANCE FOR PCB LAYOUT IS ± 0.05

THESE DRAWINGS AND SPECIFICATIONS ARE THE PROPERTY OF SHENZHEN YUCHENG ELECTRONICS.LTD AND SHALL NOT BE REPRODUCED, COPIED OR USED IN ANY MANNER WITHOUT THE PRIOR WRITTEN CONSENT OF SHENZHEN YUCHENG ELECTRONICS.LTD

APPROVED: WEI JIE  
CHECKED: HONG JIN YUN  
DRAWING: CHEN YA

**UCHENG** ELECTRONICS 深圳市裕诚电子有限公司  
SHENZHEN YUCHENG ELECTRONICS CO.,LTD

GENERAL TOLERANCES	TITLE: USB 2.0AF 短体沉板1.9贴板直边
30~以上 ±0.30	PART NO: USB-19CT4
10~30 ±0.25	WEBSITE: www.ycelectron.com
5~10 ±0.20	REV: A
~ 5 ±0.15	UNIT: mm
SHEET: 1 / 1	SCALE: /
	SHEET: A4