

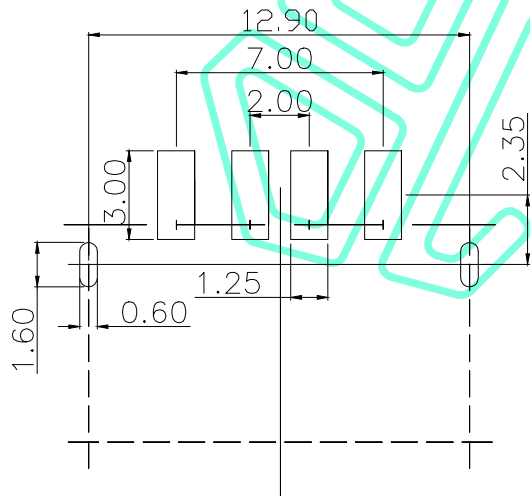
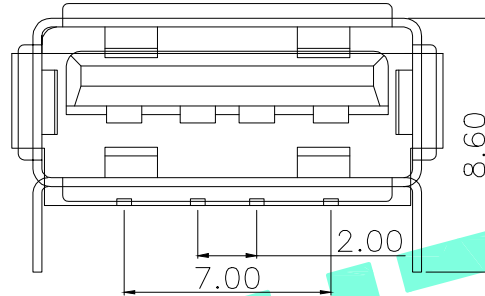
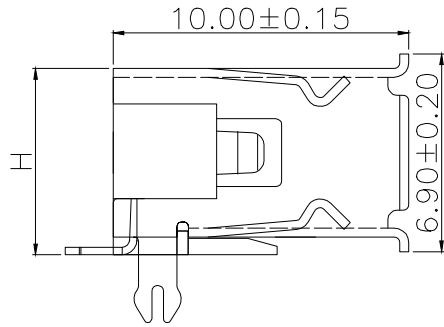
RoHS Compliant

REV. A/0	DESCRIPTION NEW	DESIGN CWF	DATE
-------------	--------------------	---------------	------

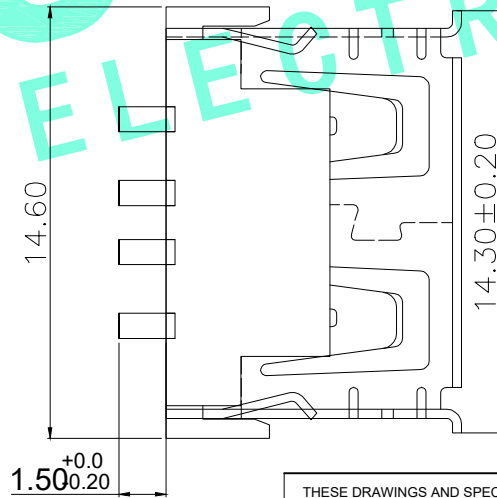
Specifications:

Electrical:

- 1.Current Rating
1.5A/contact terminal
- 2.Voltage Rating
30V DC
- 3.Contact Resistance
30 milliohms MAX
- 4.Dielectric Withstanding Voltage:
500 V AC AT Sea Level
- 5.Insulation Resistance:
1000MEGA ohms MIN



Recommended PCB Layout



PART NO	H
USB-90H2J-6.30	6.30
USB-90H2J-6.80	6.80

ITEM	PART NAME	QTY.	MATERIAL	FINISHING
③	Base	1	NYLON	—
②	Terminal	4	Phosphor Bronze	Ag Plated
①	Housing	1	SPCC/Copper	Ni Plated

THESE DRAWINGS AND SPECIFICATIONS ARE THE PROPERTY OF SHENZHEN YUCHENG ELECTRONICS,LTD AND SHALL NOT BE REPRODUCED, COPIED OR USED IN ANY MANNER WITHOUT THE PRIOR WRITTEN CONSENT OF SHENZHEN YUCHENG ELECTRONICS,LTD



深圳市裕诚电子有限公司
SHENZHEN YUCHENG ELECTRONICS CO.,LTD

APPROVED:	WEI JIE	GENERAL TOLERANCES	TITLE:	USB 2.0A 90度后两脚卷边贴板
CHECKED:	HONG JIN YUN	30~以上 ±0.30	PART NO:	USB-90H2J
DRAWING:	CHEN YA	10~30 ±0.25	WEBSITE:	www.ycelectron.com
		5~10 ±0.20	REV: A	UNIT: mm
		~ 5 ±0.15	SCALE: /	SHEET: A4
		SHEET: 1 / 1		