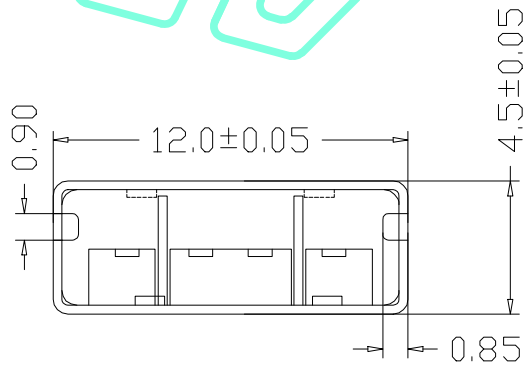
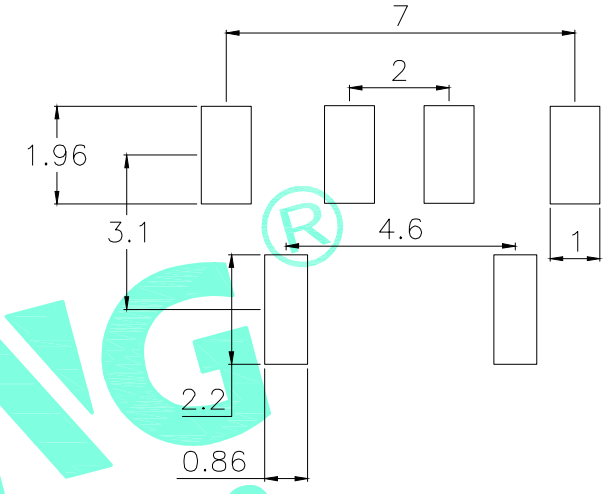
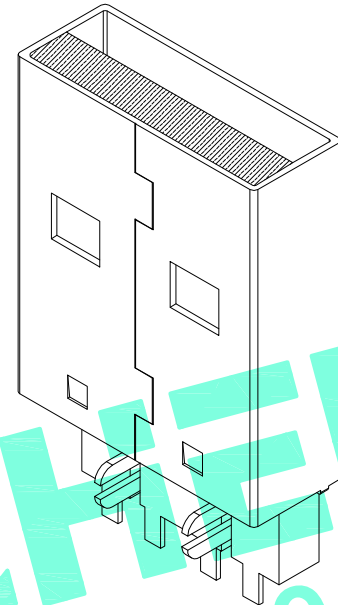
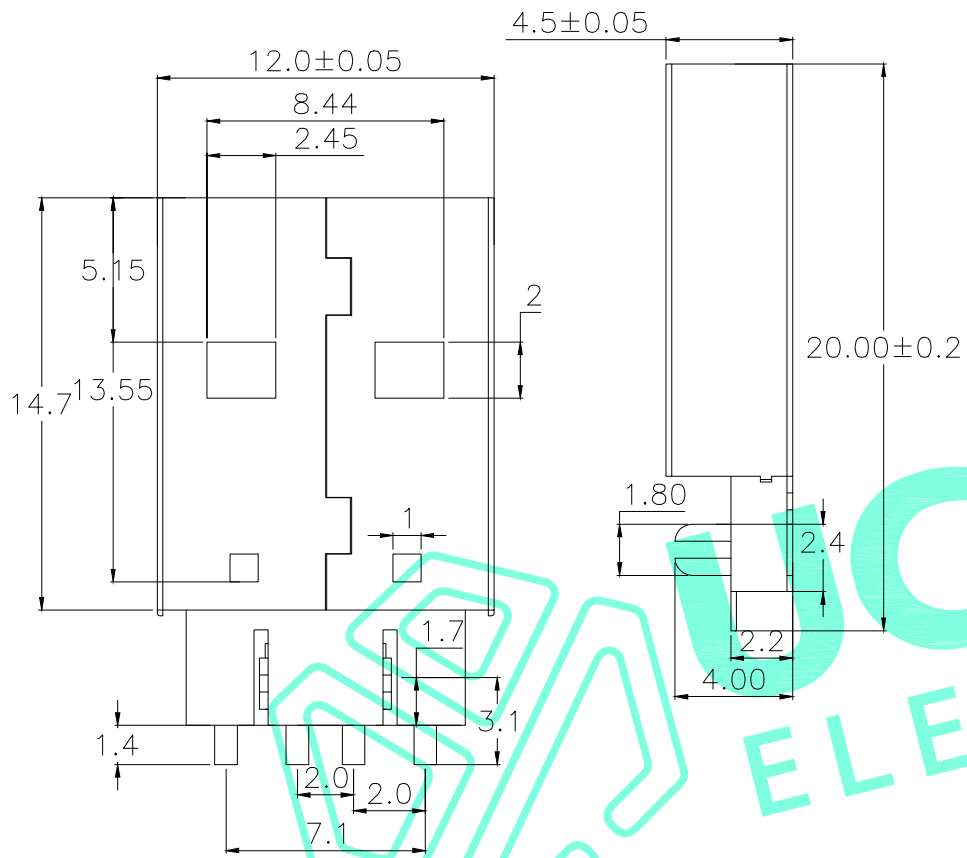


RoHS Compliant

REV. A/0	DESCRIPTION NEW	DESIGN CWF	DATE
-------------	--------------------	---------------	------



NOTE:

- 1.MATERIAL:
 - a.HOUSING:PBT GLASS FIBRE UL94V-0;
 - b.CONTACT: BRASS T=0.25mm
(SURFACE PLATING: Au1u" + Sn80-100u" + Ni60u")
 - c.SHEEL: SPCC-SD-OILED, T=0.3mm
(SURFACE PLATING: Cu50-80u"; Ni50-80u";
- 2.ELECTRIC:
 - a.CONTACT RESISTANCE: 30 MILLIOHMS MAX
 - b.INSULATION RESISTANCE: 1000 MEGA OHMS MIN
 - c.DIELECTNIC VOLTAGE: 500V AC ONE MIN LEVEL
 - d.OPERATING TEMPERATURE: -55'-85'
- 3.MANUAL WELDING IS REQUIRED: ≤350°C
≤3 SECONDS

THESE DRAWINGS AND SPECIFICATIONS ARE THE PROPERTY OF SHENZHEN YUCHENG ELECTRONICS, LTD AND SHALL NOT BE REPRODUCED, COPIED OR USED IN ANY MANNER WITHOUT THE PRIOR WRITTEN CONSENT OF SHENZHEN YUCHENG ELECTRONICS, LTD

APPROVED: WEI JIE
 CHECKED: HONG JIN YUN
 DRAWING: CHEN YA

UCHENG ELECTRONICS 深圳市裕诚电子有限公司
 SHENZHEN YUCHENG ELECTRONICS CO.,LTD

GENERAL TOLERANCES		TITLE: USB 2.0 A公沉板贴片公头SMT 鱼叉脚	
30~以上	±0.30	PART NO: USB-AM147	
10~30	±0.25		
5~10	±0.20		
~ 5	±0.15	WEBSITE: www.ycelectron.com	
SHEET: 1 / 1	REV: A	UNIT: mm	SCALE: /
		SHEET: A4	⊗