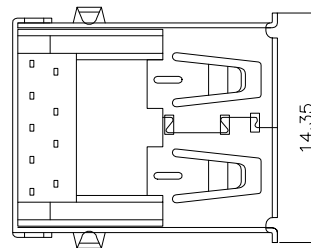
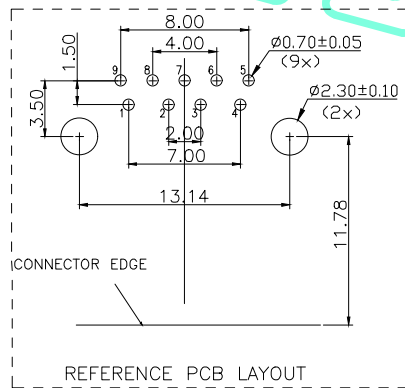
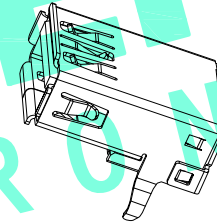
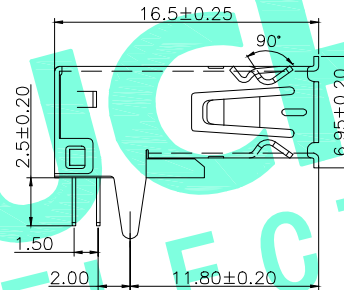
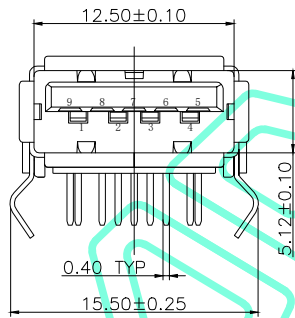
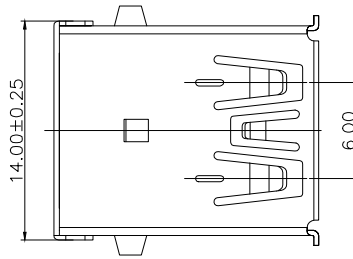
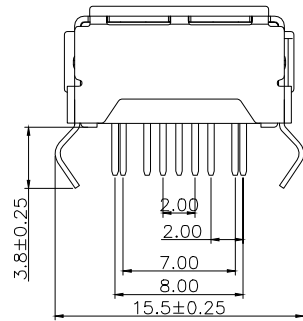


RoHS Compliant

REV. A/0	DESCRIPTION NEW	DESIGN CWF	DATE
-------------	--------------------	---------------	------



Specifications:

Electrical:

- Current Rating: 1.8A/contact terminal
- Voltage Rating: 30V DC
- Contact Resistance: 30 milliohms MAX
- Dielectric Withstanding Voltage: 500 V AC AT Sea Level
- Insulation Resistance: 1000MEGA ohms MIN

Mechanical:

- Connector Mate and Unmate Force: Mate force: 3.57kgf(MAX), Unmate force: 1.02kgf(MIN)

Material:

- Housing: TBP 蓝胶防火
- Contact: Copper Alloy C2680
- Shell: Copper Alloy C2680/SPCC

Finish:

- Contact: Plated Gold in Mating Area; Tin On Solder Tails
- Shell: 铜壳四周镀80U"(MIN)锡, 镀金区域镀100-200U"镀金1U" Nickel Plating

PIN NUMBER	1	2	3	4	5	6	7	8	9	SHELL
SIGNAL NAME	VBUS	D-	D+	GND	SSRX-	SSRX+	GND	SSTX-	SSRT+	SHIELD

THESE DRAWINGS AND SPECIFICATIONS ARE THE PROPERTY OF SHENZHEN YUCHENG ELECTRONICS, LTD. AND SHALL NOT BE REPRODUCED, COPIED OR USED IN ANY MANNER WITHOUT THE PRIOR WRITTEN CONSENT OF SHENZHEN YUCHENG ELECTRONICS, LTD.



深圳市裕诚电子有限公司
SHENZHEN YUCHENG ELECTRONICS CO., LTD

APPROVED:	WEI JIE	GENERAL TOLERANCES	30~以上	±0.30	TITLE:	USB 3.0AF 90度16.5卷边弯脚				
CHECKED:	HONG JIN YUN	10~30	±0.25	PART NO.:	USB-3J165					
DRAWING:	CHEN YA	5~10	±0.20	WEBSITE:	www.ycelectron.com					
		~ 5	±0.15	REV: A	UNIT: mm	SCALE: /	SHEET: A4			
		SHEET:	1 / 1							