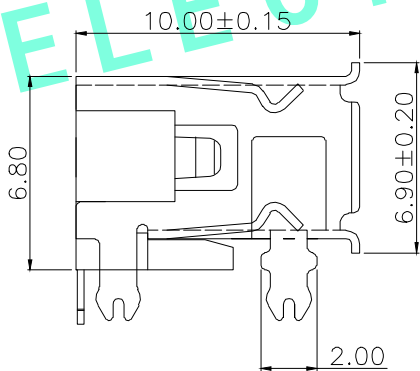
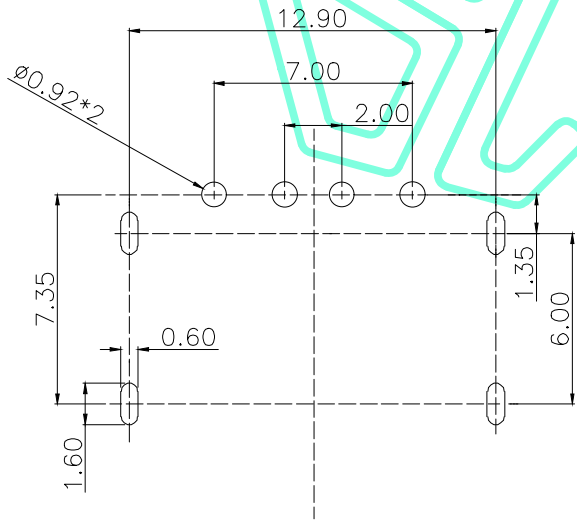
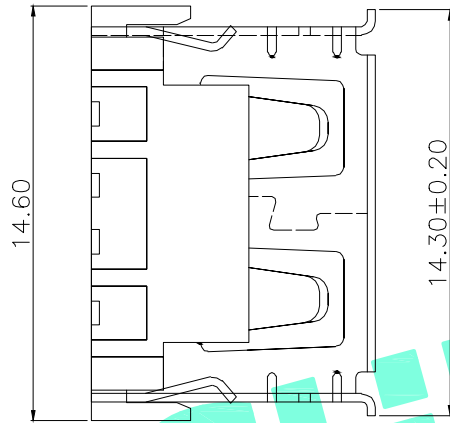
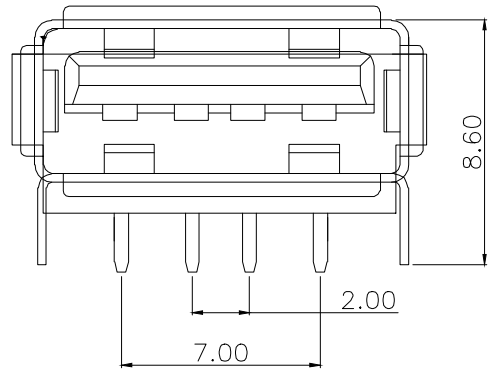


RoHS Compliant

REV. A/0	DESCRIPTION NEW	DESIGN CWF	DATE
-------------	--------------------	---------------	------



- 1. Current Rating
1.5A/contact terminal
- 2. Voltage Rating
30V DC
- 3. Connector Mate and Unmate Force
Mate force: 3.57kgf (MAX)
Unmate force: 1.02kgf (MIN)

③	Base	1	NYLON	—
②	Terminal	4	Copper Alloy	Au/Sn Plated
①	Housing	1	Copper Alloy	Sn/Ni Plated
ITEM	PART NAME	QTY.	MATERIAL	FINISHING

THESE DRAWINGS AND SPECIFICATIONS ARE THE PROPERTY OF SHENZHEN YUCHENG ELECTRONICS, LTD. AND SHALL NOT BE REPRODUCED, COPIED OR USED IN ANY MANNER WITHOUT THE PRIOR WRITTEN CONSENT OF SHENZHEN YUCHENG ELECTRONICS, LTD.



深圳市裕诚电子有限公司
SHENZHEN YUCHENG ELECTRONICS CO., LTD

APPROVED:	WEI JIE	GENERAL TOLERANCES	TITLE:	USB 2.0AF 90度四脚卷边
CHECKED:	HONG JIN YUN	30~以上 ±0.30	PART NO.:	USB-4JC10
DRAWING:	CHEN YA	10~30 ±0.25	WEBSITE:	www.ycelectron.com
		5~10 ±0.20	REV: A	UNIT: mm
		~ 5 ±0.15	SCALE: /	SHEET: A4
		SHEET: 1 / 1		

