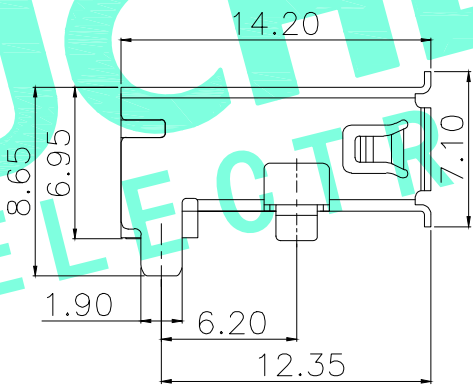
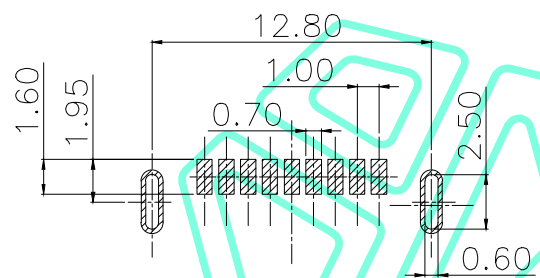
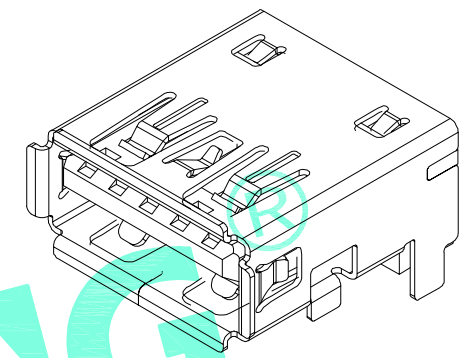
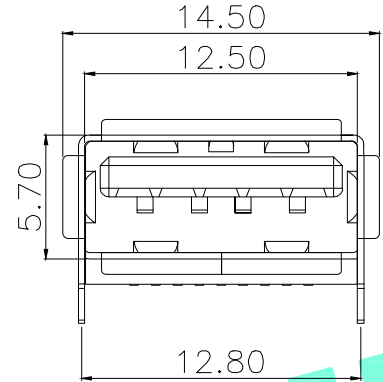
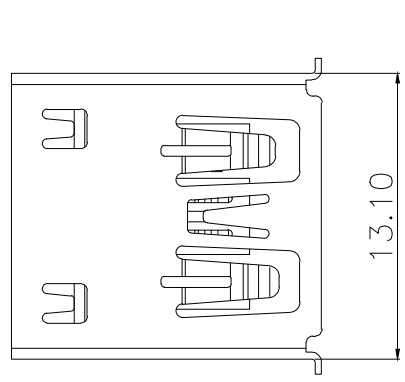
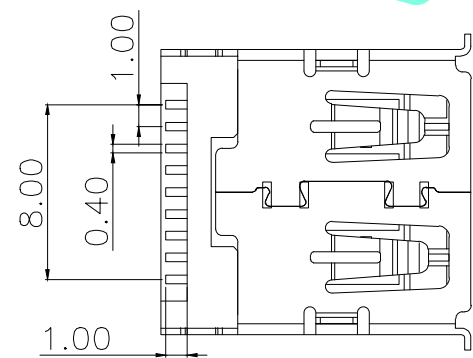


RoHS Compliant

REV. A/0	DESCRIPTION NEW	DESIGN CWF	DATE
-------------	--------------------	---------------	------



- NOTES:
- Specifications
    - 1-1.INSERT FORCE:35N MAX.
    - 1-2.WITHDRAW FORCE:10N MIN.INITIAL 8-20N AFTER
    - 1-3.Current rating:1.0A
    - 1-4.Voltage Rating:30V
    - 1-5.:Dielectric withstanding:voltage100V AC



③	Base	1	LCP	Blue
②	Terminal	9	H65	Au Plated
①	Housing	1	SPCC	Ni Plated
ITEM	PART NAME	QTY.	MATERIAL	FINISHING

THESE DRAWINGS AND SPECIFICATIONS ARE THE PROPERTY OF SHENZHEN YUCHENG ELECTRONICS.,LTD.AND SHALL NOT BE REPRODUCED,COPIED OR USED IN ANY MANNER WITHOUT THE PRIOR WRITTEN CONSENT OF SHENZHEN YUCHENG ELECTRONICS.,LTD

APPROVED: WEI JIE  
 CHECKED: HONG JIN YUN  
 DRAWING: CHEN YA

**UCHENG** ELECTRONICS 深圳市裕诚电子有限公司  
 SHENZHEN YUCHENG ELECTRONICS CO.,LTD

GENERAL TOLERANCES  
 30~以上 ±0.30  
 10~30 ±0.25  
 5~10 ±0.20  
 ~ 5 ±0.15

TITLE: USB 3.0AF 90度四脚14.2卷边贴板  
 PART NO: USB-3J142  
 WEBSITE: www.ycelectron.com  
 REV: A UNIT: mm SCALE: / SHEET: A4